



## PRO-45 Process ABS Case-Stainless Movement

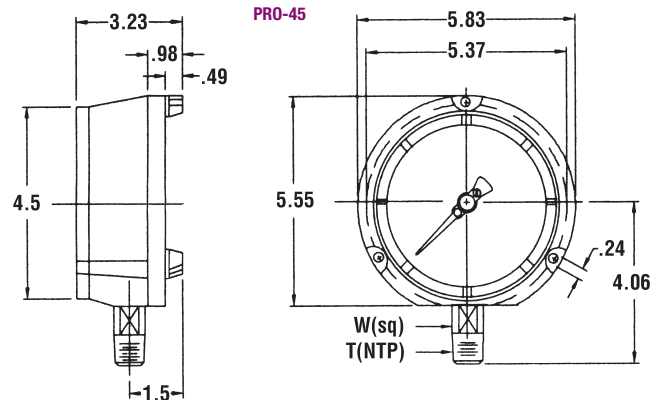
- Dial Size: 4 1/2" Glycerin Filled
- Pressure Ranges: 30" HG to 30,000 P.S.I. (Single Scale)
- Accuracy: Within +/- 0.5% of Maximum Graduation
- Case: Fiberglass reinforced thermoplastic, black
- Bourdon Tube: Type 316 Stainless Steel
- Movement: Type 316 Stainless Steel
- Connection: 1/2" Male NPT, Type 316 Stainless Steel
- Safety Blow-Out Back Case
- Restrictors Standard



"PRO-45"

PRO-45 Series Process Gauges have been designed and manufactured to the highest standards for the chemical & petroleum industries to withstand vibration, corrosive media and environments, and a wide range of temperatures.

STD. BOTTOM MOUNT MODEL NUMBER	FULL RANGE ENGLISH P.S.I.	FIGURE INTERVAL P.S.I.	GRADUATION INTERVAL P.S.I.
PRO-30HG-45	0-30" HG	5" HG	1" HG
PRO-30-45	0-30	5	.5
PRO-60-45	0-60	10	1
PRO-100-45	0-100	10	1
PRO-160-45	0-160	20	2
PRO-300-45	0-300	50	5
PRO-600-45	0-600	100	10
PRO-1M-45	0-1000	100	10
PRO-2M-45	0-2000	200	20
PRO-3M-45	0-3000	500	20
PRO-5M-45	0-5000	1000	50
PRO-6M-45	0-6000	1000	50
PRO-10M-45	0-10000	1000	50
PRO-15M-45	0-15000	2000	100
PRO-20M-45	0-20000	2000	100
PRO-30M-45	0-30000	2000	100



## AMM-25 Refrigeration Ammonia Pressure Gauges

- Dial Size: 2 1/2" (Dry Case)
- Ranges: 30" to 300 P.S.I./F (Dual Scale)
- Accuracy: Within 1.5% of Maximum Graduation
- Case: Stainless Steel
- Movement: 316 Stainless Steel
- Connection: 1/4" 316 Stainless Steel

LENZ Refrigeration Ammonia Gauges are suitable for refrigeration Ammonia and other liquid or gaseous media which are compatible with 316 stainless steel & will not contaminate the pressure system.

STANDARD BOTTOM MOUNT MODEL NUMBER	P.S.I./F
AMM-30-150-25	30"-150 P.S.I./84 F
AMM-30-300-25	30"-300 P.S.I./126 F



"AMM-25"

