



HPK02
Max Flow: 20 gpm (76 lpm)

HPK02 In-Line Cartridge Filters

Working Pressures to: 2000 psi
13,790 kPa
137.9 bar

Rated Static Burst to: 4500 psi
31,030 kPa
310.3 bar

Flow Range To: 20 gpm
76 lpm



Features

The HPK02 is a heavy-duty filter built for high pressure applications, with cast aluminum head and impact-extruded aluminum housing for strength and durability at relatively lightweight.

Take advantage of our mix and match system of in-stock heads, housings and cartridges – so you can get exactly what you need. HPK02 is available with your choice of visual or AC/DC electrical indicators. Likewise, choose the bypass option that's right for your application – 50 psi (3.5 bar) bypass, or no bypass. Seals made of fluorocarbon (such as Viton® and Fluorel®) or Buna-N are available with HPK02.

All HF2-sized HPK02 filters contain Synteq™, our synthetic filter media designed especially for hydraulic filtration.

Viton® is a registered trademark of E. I. DuPont de Nemours and Company.
Fluorel® is a registered trademark of 3M Company.

Beta Rating

- Performance to $\beta_{<4(c)} = 1000$

Porting Size Options

- SAE-12 O-ring

Replacement Filter Lengths

- 4.37" / 111mm
- 8.12" / 206mm

Standard Bypass Ratings

- 50 psi / 345 kPa / 3.5 bar
- No Bypass

Assembly Weight

- 4.3 lbs / 1.95 kg (short)
- 5.5 lbs / 2.49 kg (long)

Operating Temperatures

- -45° to 250°F (-43° to 121°C)

Filter Collapse Ratings

- 150 psi / 1035 kPa / 10.6 bar (standard)
- 3000 psi / 20,700 kPa / 206.9 bar (high collapse)

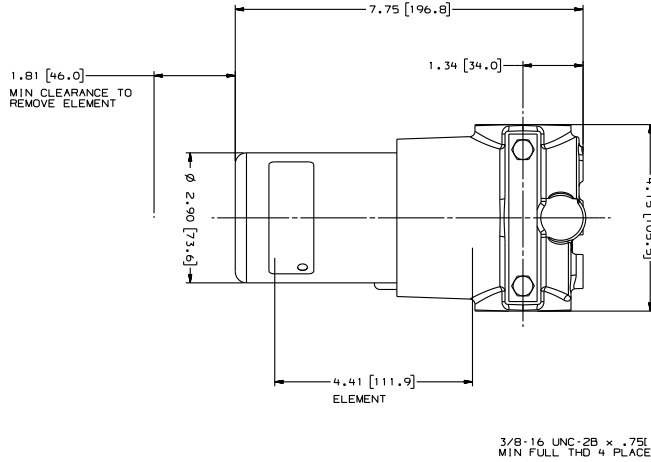
HPK02 Specification Illustrations

All dimensions are shown in inches [millimeters].

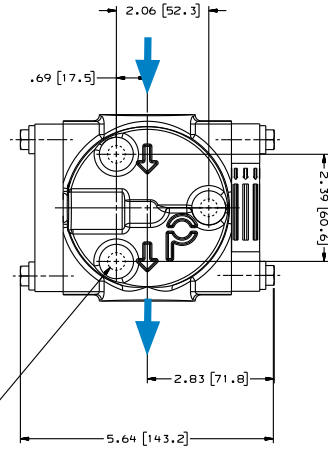
Applications

- High Pressure Circuits
- In-Plant Systems
- Meets HF2 Specification
- Mobile Equipment
- Power Steering Circuits
- Servo Valve Circuits

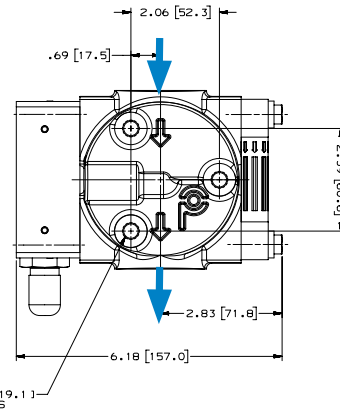
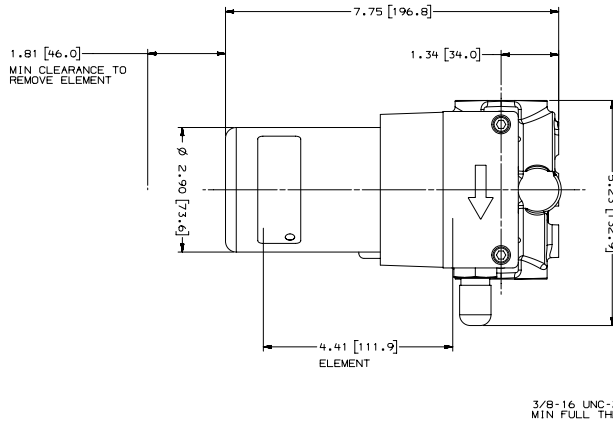
Assembly - Side View



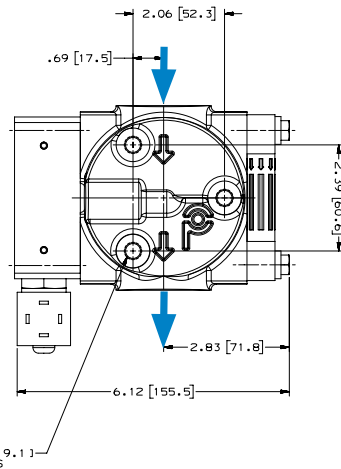
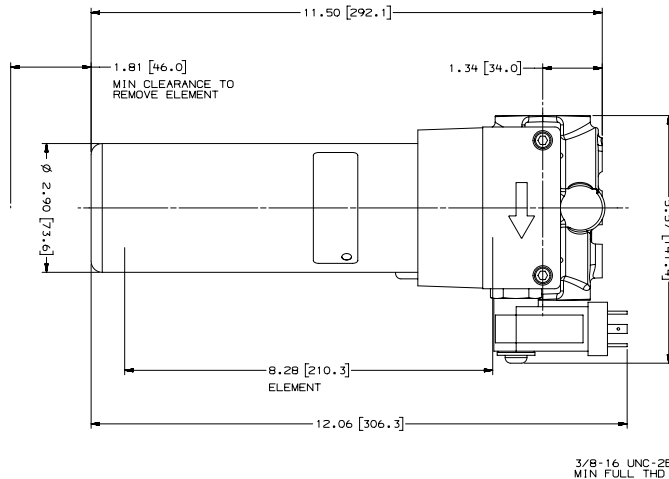
Head - Top View



HPK02 with Visual Service Indicator



HPK02 with AC/DC Electrical Service Indicator





HPK02 Components

High-Performance DT Filter Choices

Media Type	$\beta_{x(c)} = 1000$ Rating based on ISO 16889	Length		Donaldson Part No.	Comments
		in	mm		
DT Synteq Synthetic	<4 μm	4.41	112	P566194	DT-9020-4-2UM
	5 μm	4.41	112	P566195	DT-9020-4-5UM
	8 μm	4.41	112	P566196	DT-9020-4-8UM
	12 μm	4.41	112	P566197	DT-9020-4-14UM
	23 μm	4.41	112	P566198	DT-9020-4-25UM
	<4 μm	4.41	210	P566199	DT-9020-8-2UM
	5 μm	8.28	210	P566200	DT-9020-8-5UM
	8 μm	8.28	210	P566201	DT-9020-8-8UM
	12 μm	8.28	210	P566202	DT-9020-8-14UM
	23 μm	8.28	210	P566203	DT-9020-8-25UM
	5 μm	4.46	113	P566335	DT-9021-4-5UM, High collapse
	12 μm	4.46	113	P566336	DT-9021-4-14UM, High collapse
	5 μm	8.16	207	P566337	DT-9021-8-5UM, High collapse
	12 μm	8.16	207	P566338	DT-9021-8-14UM, High collapse

Filter Notes

All Donaldson DT filters utilize glass fiber media with an epoxy-based resin system for the ultimate in chemical compatibility.
All Donaldson DT filters are potted with epoxy-based adhesives.
Standard collapse DT designs are double wire-backed using epoxy-coated steel mesh for maximum pleat support and dirt capacity. High collapse designs are double wire-backed using stainless steel mesh.
High collapse designs are also potted into machined aluminum endcaps for greater filter integrity in critical applications.
Viton® seals are standard on all Donaldson DT filters. Viton® is a registered trademark of E. I. DuPont de Nemours and Company.

Standard Filter Choices

Media Type	$\beta_{x(c)} = 1000$ Rating based on ISO 16889	Length		Donaldson Part No.	Comments
		in	mm		
Synteq Synthetic	5 μm	4.37	111	P167180*	Fluorocarbon Seal, High Collapse
	5 μm	8.12	203	P167182*	Fluorocarbon Seal, High Collapse
	6 μm	4.37	111	P165041	Buna-N Seal
	6 μm	8.12	203	P165043	Buna-N Seal
	11 μm	4.37	111	P165006	Buna-N Seal
	11 μm	8.12	203	P165015	Buna-N Seal
	12 μm	4.37	111	P167181*	Fluorocarbon Seal, High Collapse
	12 μm	8.12	203	P167183*	Fluorocarbon Seal, High Collapse
	23 μm	4.37	111	P165136	Buna-N Seal
	23 μm	8.12	203	P165138	Buna-N Seal

Filter Notes

*Utilizes DT Synteq synthetic media
Refer to the table in the Technical Reference Guide for fluid compatibility with our filter media.
If filtering petroleum-based oil, filters with seals made of Buna-N® are appropriate for most applications.
If filtering diester, phosphate ester fluids, water glycol, water/oil emulsions, or HWCF over 150°F/83°C, use filters with seals made of fluorocarbon, such as Viton®.
Donaldson "high collapse" filters, with their steel end caps and wire-backed media, are rated to withstand up to 3000 psi/ 20,700 kPa before collapsing.
The fluorocarbon seal/high collapse filters also use epoxy potting and media seam seals for added chemical compatibility.
Viton® and Buna-N® registered trademarks of E. I. DuPont de Nemours and Company.





Housing Choices

Length	Part No.
Short	P167443
Long	P167452

Head Choices

Port Size	Bypass Rating	Indicators ¹	Part No.
SAE-12 O-Ring	50 psi/3.5 bar	Visual indicator, left side	P167728
SAE-12 O-Ring	No bypass	Visual indicator, left side	P167730

Notes on Indicators

¹Donaldson uses the inlet port as the reference point. "Left side," for instance, means that the indicator mounts on the side of the filter head that is on your left when you face the inlet port.

Service Indicator Kits

All kits include indicator with mounting block

Part No.	Use with Bypass Valve Pressure of:	Description
Visual Service Indicators		
P569632	60 psi / 4.1 bar	35 psi/2.4 bar indicator kit auto reset pop-out button
P569633	90 psi / 6.2 bar	70 psi/4.8 bar indicator kit auto reset pop-out button
P567988	60 psi / 4.1 bar	35 psi/2.4 bar indicator kit auto reset pop-out button with thermal lockout and surge control
P567989	90 psi / 6.2 bar	70 psi/4.8 bar indicator kit* auto reset pop-out button with thermal lockout and surge control
AC/DC Visual/Electrical Service Indicators		
P569634	60 psi / 4.1 bar	35 psi/2.4 bar indicator kit Hirschmann receptacle 115 VAC/28 VDC, 2 amps
P569635	90 psi / 6.2 bar	70 psi/4.8 bar indicator kit Hirschmann receptacle 115 VAC/28 VDC, 2 amps
P567986	60 psi / 4.1 bar	35 psi/2.4 bar indicator kit with thermal lockout and surge control, Hirschmann receptacle, 115 VAC/28 VDC, 2 amps, 4 pin DIN 43650
P567987	90 psi / 6.2 bar	70 psi/4.8 bar indicator kit with thermal lockout and surge control, Hirschmann receptacle, 115 VAC/28 VDC, 2 amps, 4 pin DIN 43650

Indicator Choices

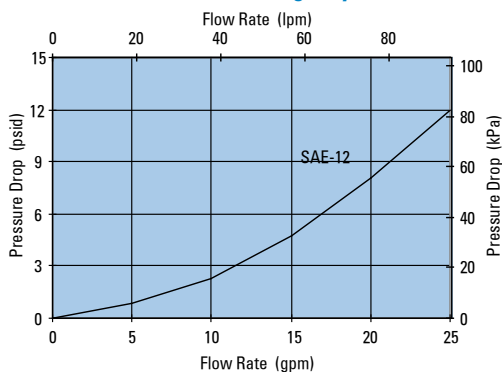
Replacement Indicator Only

Part No.	Description
P567458	Visual/Electrical indicator with thermal lockout and surge, 35 psid/2.4 bar
P567459	Visual/Electrical indicator, with thermal lockout and surge, 70 psid/4.8 bar
P567456	Pop-Up Visual Indicator, with thermal lockout and surge, 35 psid/2.4 bar
P567457	Pop-Up Visual Indicator, with thermal lockout and surge, 70 psid/4.8 bar
P569636	Pop-Up Visual Indicator, 35 psid/2.4 bar
P569637	Pop-Up Visual Indicator, 70 psid/4.8 bar
P569638	Visual/Electrical Indicator, 35 psid/2.4 bar
P569639	Visual/Electrical Indicator, 70 psid/4.8 bar
P164315	Visual Indicator, bar style, 35 psid/2.4 bar
P166603	Visual Indicator, bar style, 70 psid/4.8 bar
P166134	Blanking plate
Indicator Mounting Block	
P573495	Mounting Block Assembly

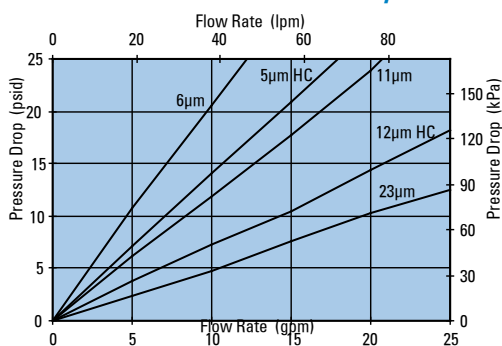


Performance Data

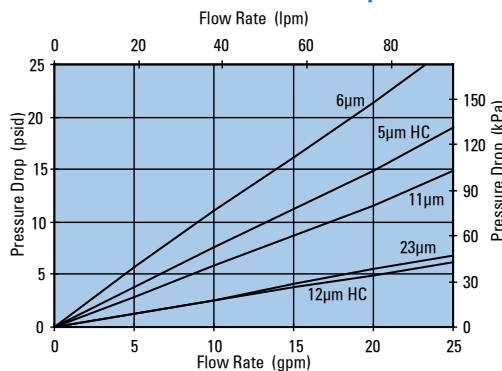
HPK02 Housing Only



HPK02 Standard 4" Filter Only

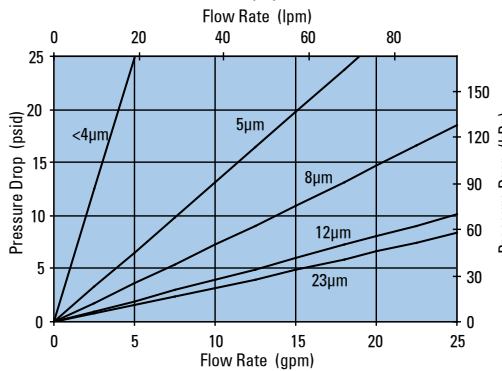


HPK02 Standard 8" Filter Only



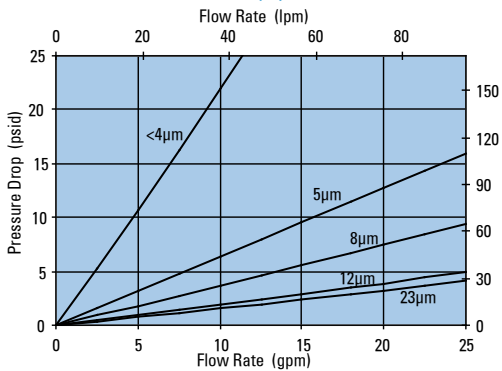
HPK02 4" DT Filter Only

DT-9020-4, 4"/102mm



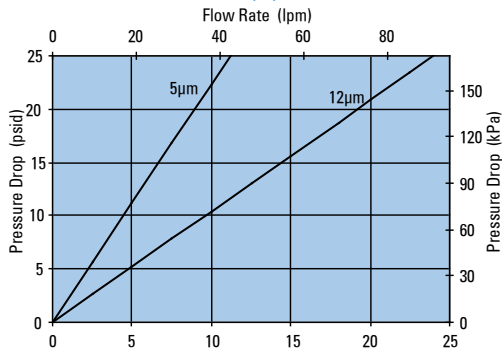
HPK02 8" DT Filter Only

DT-9020-8, 8"/203mm



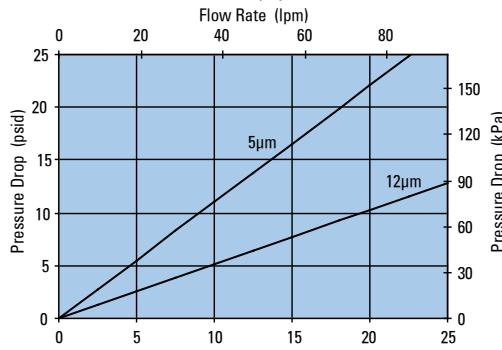
HPK02 4" DT Filter Only

DT-9021-4, 4"/102mm



HPK02 8" DT Filter Only

DT-9021-8, 8"/203mm





HPK02 Service Parts

SERVICE PARTS NOTE:

Some service parts may not be stocked. Please contact your Donaldson sales representative for lead time details.

