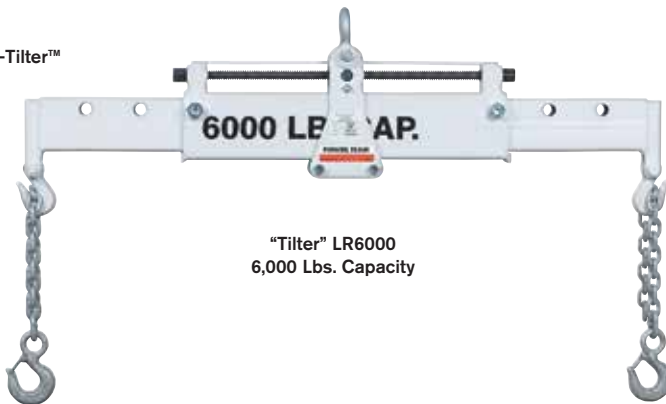


# FLOOR CRAIN ACCESSORIES

## SPREAD-TILTER™

2000-6000 lbs.

Spread-Tilter™



"Tilter" LR6000  
6,000 Lbs. Capacity



LR2000  
2,000 Lbs.  
Cap.

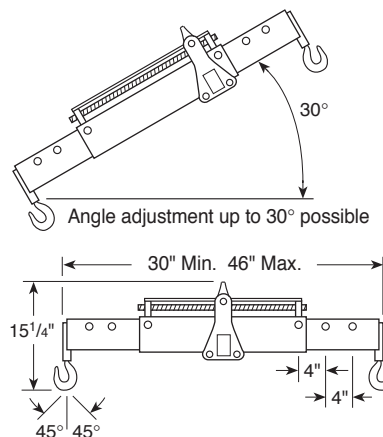
LR4000  
4,000 Lbs.  
Cap.



Whenever you have big, heavy components to move or position, nothing helps you get the job done easier and faster than the 6,000 lb. "Tilter."

- For lifting or positioning components, Power Team's heavy duty lifting slings are just right.
- The heavy-duty Load-Rotors®, when used with a crane or hoist, greatly reduce time and effort.
- A self-locking worm and gear set in the Spread-Tilter™ head permits rapid angle adjustment of the component being handled.

\* Note: not to be used for overhead lifting.



The working length is adjustable in three positions from 30" to 46". Maximum chain angle is 45°.



### ORDERING INFORMATION

Capacity (lbs.)	Order No.	Chain Size (in.)	Chain Lg. W/ Swivel Hooks (in.)	Lifting Eye Opening (in.)	Hex Drive End (in.)	Gear Ratio	Product Wt. (lbs.)
2000	LR2000	1/4	56	1 1/4	5/8	34:1	9
4000	LR4000	5/16	65	1 3/4	5/8	82:1	23
6000	LR6000	5/16	65	1 5/8	5/8	82:1	73