



FPK04

Max Flow: 100 gpm (379 lpm)

FPK04 In-Line Cartridge Filters

Working Pressures to: 4350 psi
30,015 kPa
300 bar

Rated Static Burst to: 9135 psi
63,000 kPa
630 bar

Flow Range To: 100 gpm
379 lpm



Features

The FPK04 T-type ported series offers flows up to 100 gpm (379 lpm) with a bypass option and conforms to the HF3 automotive standard.

Donaldson Synteq™ media is offered in a variety of designs. Upgraded Donaldson high-performance DT filters are also offered for superior performance. The differential pressure indicator line is designed to work with the wide assortment of bypass valve options.

- Conforms to HF3 specifications
- High collapse filters available for use with non-bypass applications
- Wide range of indicator options
- Three housing length options for design flexibility
- Buna-N® seals standard, Viton® available
- Head material: cast iron
- Housing material: steel

Viton® and Buna-N® are registered trademarks of E. I. DuPont de Nemours and Company.

Beta Rating

- Performance to $\beta_{<4(c)} = 1000$

Porting Size Options

- SAE-20 O-Ring

Standard Replacement Filter Lengths

- 4.58" / 116.3mm
- 4.62" / 117.3mm
- 8.20" / 208.3mm
- 12.88" / 327.2mm
- 12.93" / 328.4mm

Filter Collapse Ratings

- 150 psi / 1034 kPa / 10.3 bar (standard)
- 3000 psi / 20,700 kPa / 206.8 bar (high collapse)

DT Replacement Filter Lengths

- 4.56" / 116mm
- 4.59" / 117mm
- 8.19" / 208mm
- 8.22" / 209mm
- 8.23" / 209mm
- 12.85" / 326mm
- 12.87" / 327mm
- 12.91" / 328mm

Standard Bypass Ratings

- 87 psi / 600 kPa / 6.0 bar
- No Bypass

Assembly Weight

- 4.59": 26.4 lbs / 12.0 kg
- 8.22": 33 lbs / 15.0 kg
- 12.91": 33 lbs / 15.0 kg

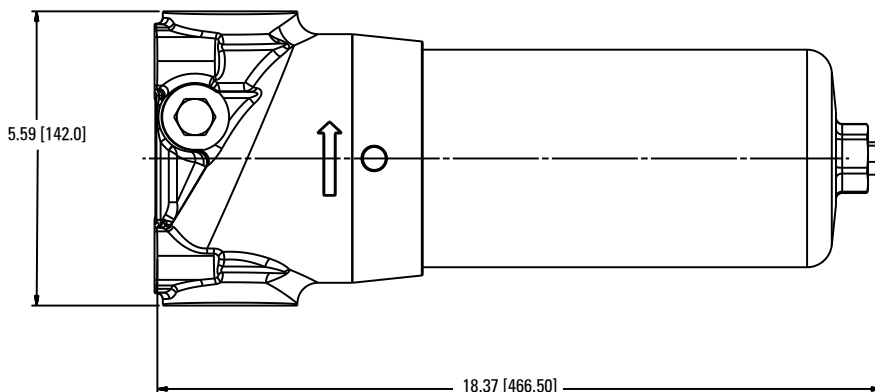
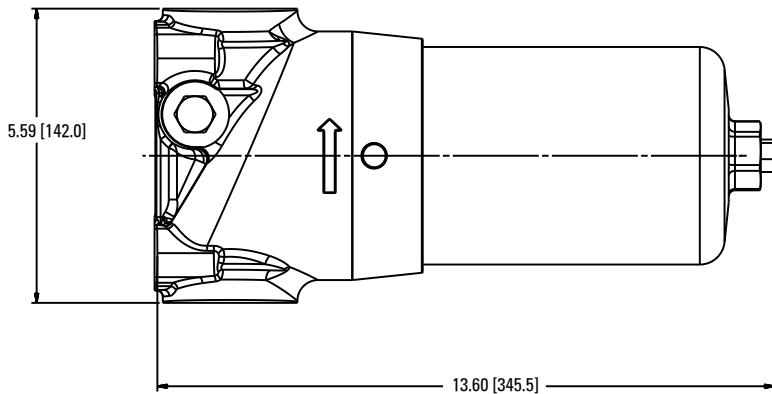
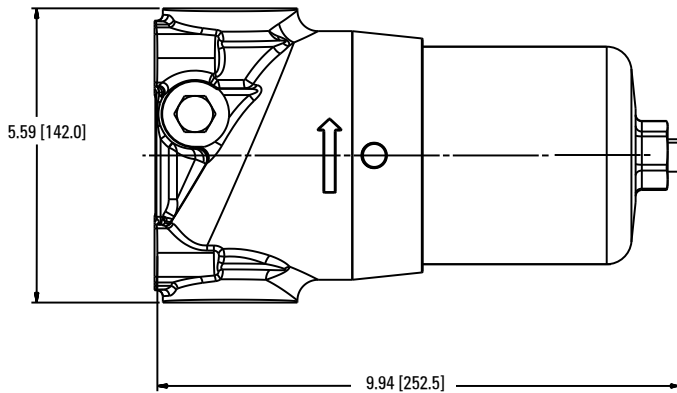
Operating Temperatures

- -4° to 248°F (-20° to 120°C)

FPK04 Specification Illustrations

All dimensions are shown in inches [millimeters].

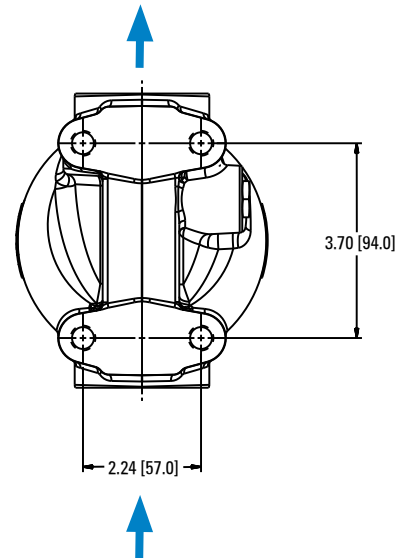
Assembly - Side View



Applications

- High Pressure Circuits
- In-Plant Systems
- Meets HF3 Specification
- Mobile Equipment
- Servo Valve Circuits

Head - Top View

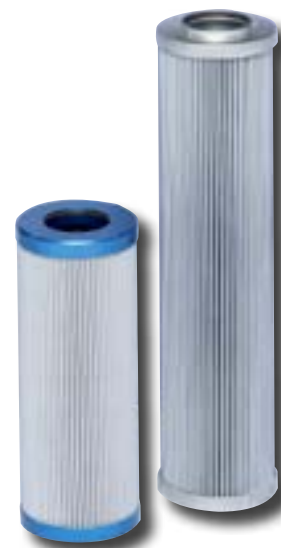




FPK04 Components

High-Performance DT Filter Choices

Media Type	$\beta_{x(e)} = 1000$ Rating based on ISO 16889	Length		Donaldson Part No.	Comments
		in	mm		
DT Synteq	<4 μm	4.59	117	P566204	DT-9600-4-2UM
Synthetic	5 μm	4.59	117	P566205	DT-9600-4-5UM
	8 μm	4.59	117	P566206	DT-9600-4-8UM
	12 μm	4.59	117	P566207	DT-9600-4-14UM
	23 μm	4.59	117	P566208	DT-9600-4-25UM
	5 μm	4.56	116	P566364	DT-9601-4-5UM, High collapse
	12 μm	4.56	116	P566365	DT-9601-4-14UM, High collapse
	<4 μm	8.22	209	P566209	DT-9600-8-2UM
	5 μm	8.22	209	P566210	DT-9600-8-5UM
	8 μm	8.22	209	P566211	DT-9600-8-8UM
	12 μm	8.22	209	P566212	DT-9600-8-14UM
	23 μm	8.22	209	P566213	DT-9600-8-25UM
	5 μm	8.19	208	P566366	DT-9601-8-5UM, High collapse
	12 μm	8.19	208	P566367	DT-9601-8-14UM, High collapse
	<4 μm	8.19	208	P567875	DX2-9600-8-2UM
	5 μm	8.23	209	P565122	DX2-9600-8-5UM
	8 μm	8.23	209	P565123	DX2-9600-8-8UM
	12 μm	8.23	209	P564936	DX2-9600-8-14UM
	<4 μm	12.91	328	P566214	DT-9600-13-2UM
	5 μm	12.91	328	P566215	DT-9600-13-5UM
	8 μm	12.91	328	P566216	DT-9600-13-8UM
12 μm	12.91	328	P566217	DT-9600-13-14UM	
23 μm	12.91	328	P566218	DT-9600-13-25UM	
5 μm	12.85	326	P566368	DT-9601-13-5UM, High collapse	
12 μm	12.85	326	P566369	DT-9601-13-14UM, High collapse	
5 μm	12.87	327	P565188	DX2-9600-13-5UM	
8 μm	12.87	327	P565189	DX2-9600-13-8UM	
12 μm	12.87	327	P565187	DX2-9600-13-14UM	



Filter Notes

All Donaldson DT and DX2 filters utilize glass fiber media with an epoxy-based resin system for the ultimate in chemical compatibility.
All Donaldson DT and DX2 filters are potted with epoxy-based adhesives.
Standard collapse DT designs are double wire-backed using epoxy-coated steel mesh for maximum pleat support and dirt capacity.
High collapse designs are double wire-backed using stainless steel mesh.
High collapse designs are also potted into machined aluminum endcaps for greater filter integrity in critical applications.
Viton® seals are standard on all Donaldson DT and DX2 filters. Viton® is a registered trademark of E. I. DuPont de Nemours and Company.
DX2 filters utilize nylon mesh for pleat support.

Head Choices

Port Size	Bypass Rating	Indicators	Part No.
SAE-20	87 psi / 6 bar	plugged only	P568720
SAE-20	No bypass	plugged only	P568721

Housing Choices

Filter Length	Part No.
4.6" (116.8mm)	P568722
8.2" (208.3mm)	P568723
12.9" (327.7mm)	P568724

Notes

Housings include the head to housing seal.

Indicator Choices

Set Point / Type	Part No.
39 psi/2.7 bar ele N.O.	P165194

Standard Filter Choices

Media Type	$\beta_{x(c)} = 2$ Rating based on ISO 16889	$\beta_{x(c)} = 1000$	Length		Donaldson Part No.	Comments
			in	mm		
Synteq		<4 μm	10.7	271	P167796	Viton® O-ring & square seal kit
Synthetic		5 μm	4.58	116.3	P167184*	9601 Series, Viton®, High collapse
		5 μm	8.20	208.3	P167185*	9601 Series, Viton, High collapse
		5 μm	12.88	327.2	P167411*	9601 Series, Viton, High collapse
		6 μm	4.62	117.3	P164592	9600 Series
		6 μm	8.20	208.3	P164594	9600 Buna-N®
		6 μm	12.93	328.4	P164596	9600 Buna-N
		11 μm	4.62	117.3	P164164	9600 Series
		11 μm	12.93	328.4	P164168	9600 Series, Buna-N
		12 μm	4.58	116.3	P167843*	9601 Series, Viton, High collapse
		12 μm	8.20	208.3	P167186*	9601 Series, Viton, High collapse
		12 μm	12.88	327.2	P167412*	9601 Series, Viton, High collapse
		23 μm	4.62	117.3	P164172	9600 Series
		23 μm	8.20	208.3	P164174	9600 Series, Buna-N
		23 μm	12.93	328.4	P164176	9600 Series, Buna-N
	50 μm	8.20	208.3	P165319	9600 Series, Buna-N	
Water	10 μm		8.20	208.3	P569528	9600 Absorbs 180 ml of water @ 25 psid
Absorbing	10 μm		12.93	328.4	P569529	9600 Absorbs 220 ml of water @ 25 psid
Wire Mesh	75 μm		8.20	208.3	P162233	9600 Buna-N, Wire mesh

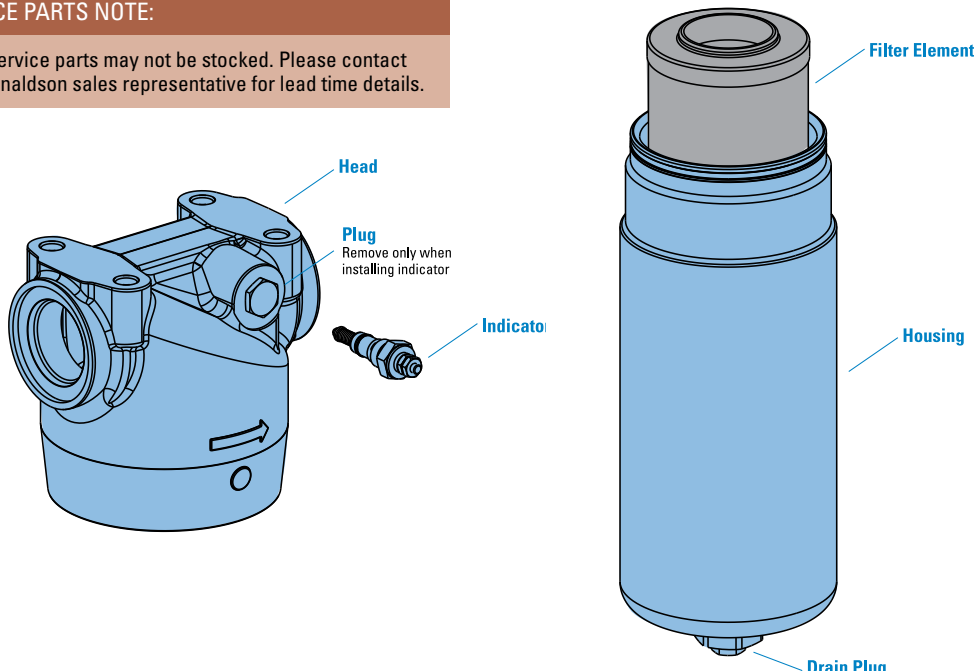
Filter Notes

* Utilizes DT Synteq synthetic media. Refer to the table in the Technical Reference Guide for fluid compatibility with our filter media. If you're filtering petroleum-based oil, filters with seals made of Buna-N are appropriate for most applications. If you're filtering diester, phosphate ester fluids, water glycol, water/oil emulsions, and HWCFC over 150°F/83°C, use filters with seals made of fluorocarbon. Donaldson "high collapse" filters, with their steel end caps and wire-backed media, are rated to withstand up to 3000 psi/ 20,700 kPa before collapsing. The fluorocarbon seal/high collapse filters also use epoxy potting and media seam seals for added chemical compatibility. Viton® is a registered trademark of E. I. DuPont de Nemours and Company. Fluorel® is a registered trademark of 3M Company.

FPK04 Service Parts

SERVICE PARTS NOTE:

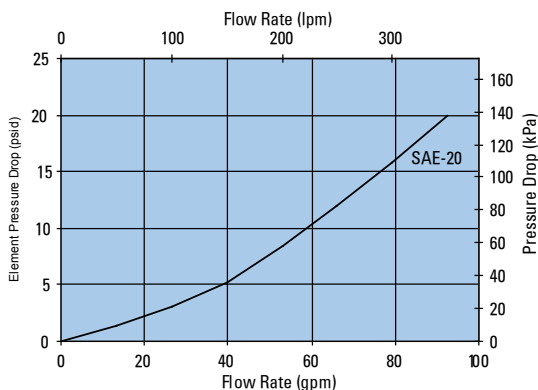
Some service parts may not be stocked. Please contact your Donaldson sales representative for lead time details.



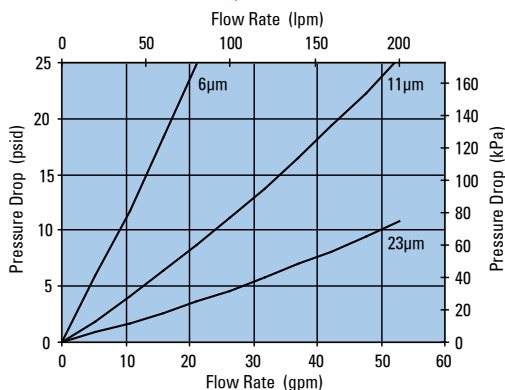


Performance Data

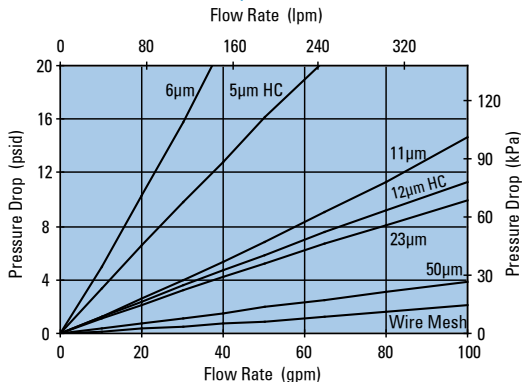
FPK04 Housing Only



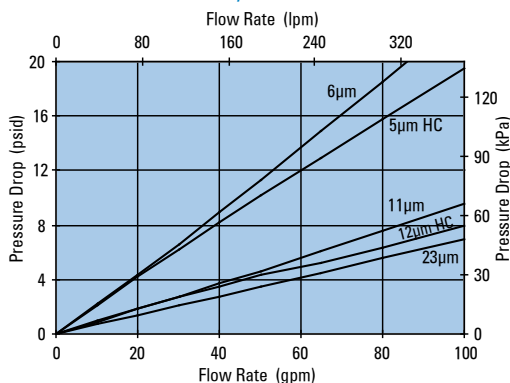
FPK04 4" Standard Filter Only
4.62"/117.3mm



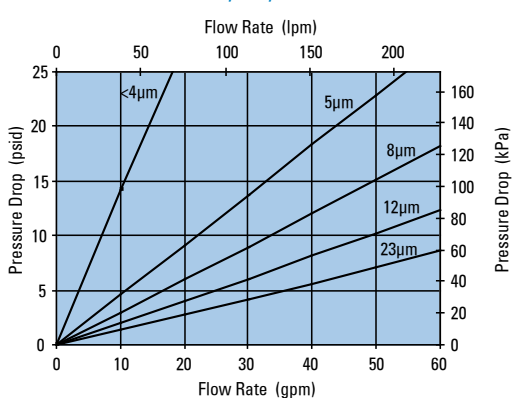
FPK04 8" Standard Filter Only
8.20"/208.3mm



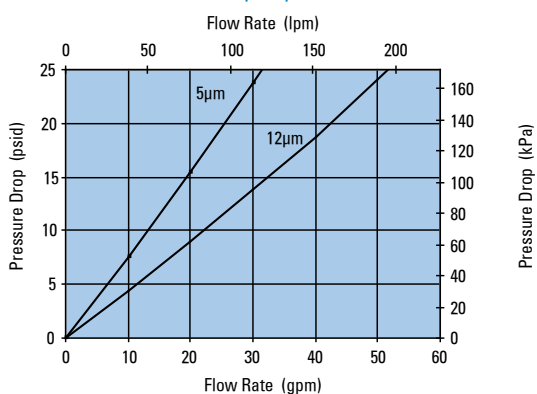
FPK04 13" Standard Filter Only
12.93"/328.4mm



FPK04 4" DT Filter Only
DT-9600-4, 4.59"/116.7mm



FPK04 4" DT Filter Only
DT-9601-4, 4.57"/116mm

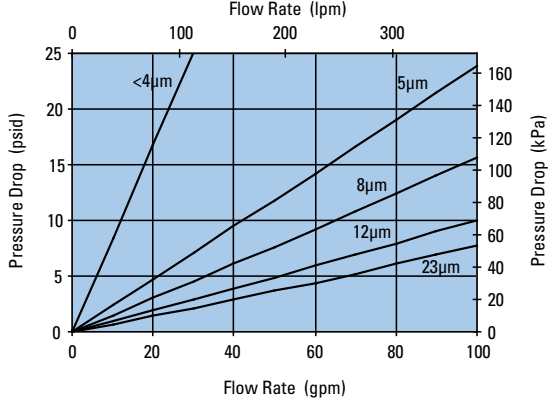




Performance Data

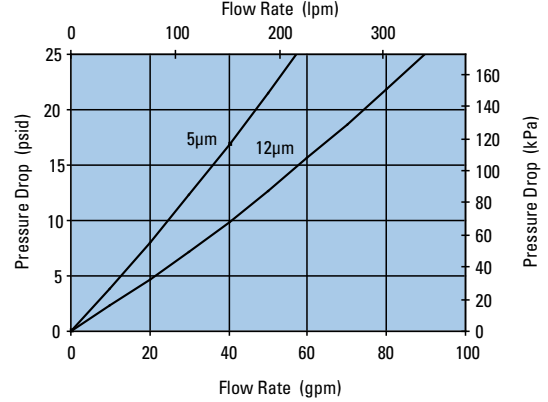
FPK04 8" DT Filter Only

DT-9600-8, 8.22"/208.8mm



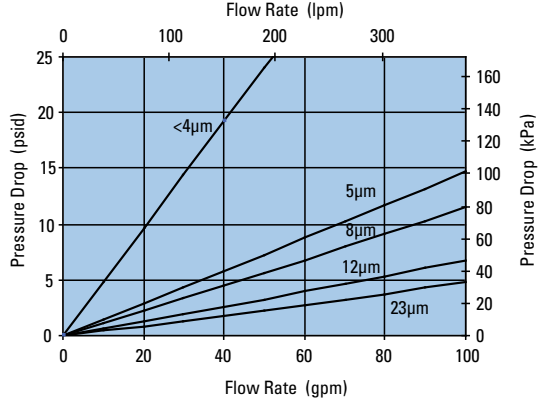
FPK04 8" DT Filter Only

DT-9601-8, 8.19"/208mm



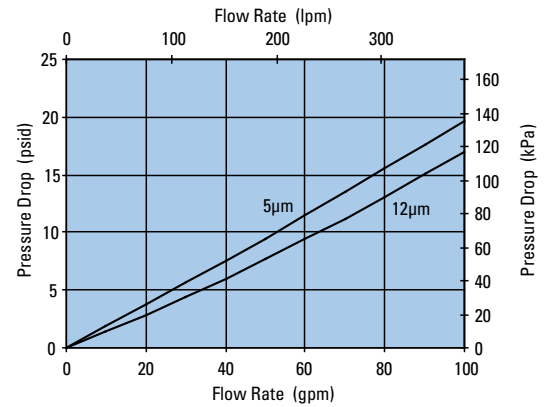
FPK04 13" DT Filter Only

DT-9600-13, 12.91"/327.8mm



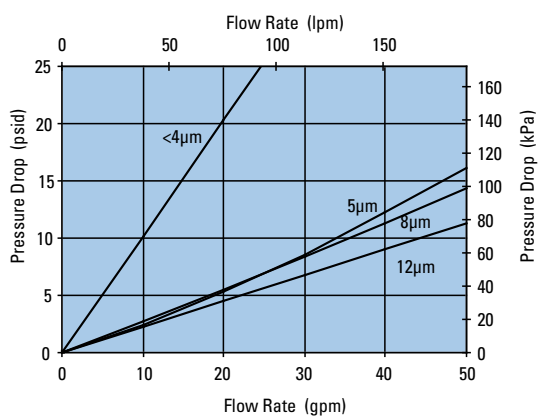
FPK04 13" DT Filter Only

DT-9601-13, 12.91"/327.8mm



FPK04 8" DX2 Filter Only

DX2-9600-8, 8.22"/208.8mm



FPK04 13" DX2 Filter Only

DX2-9600-13, 12.87"/327mm

