



Digital Gauge

Model No. LDPG-30

Specifications

- Pressure ranges: from 0 ... 30 psi up to 0 ... 10,000 psi
- Display accuracy: < + 0.25% B.F.S.L.
- Pressure connections: 1/4 NPT male, 1/2 NPT male
- Case: Stainless steel, 3.15" (80 mm) diameter
- Power supply: 2x 1.5 V Type AA cell
- CE Approval

Durable, Precise Local Display

A digital display is ideal for precise and fast pressure readings. The LDPG-30 features a durable stainless steel housing and integral battery power supply making it suitable for a wide range of applications and industries.

The multi-function display features a bar graph with a drag pointer function and a MIN/MAX memory. The MIN/MAX memory feature permits later recall of the minimum and maximum pressure readings.

Standard and Enhanced Versions

The LDPG-30 is available in two versions: standard (LDPG-30-S) and enhanced (LDPG-30-E). Both versions allow the user to easily switch between the most widely-accepted international measurement units including bar, psi and MPa.

Additional features of the enhanced version include a backlit display for use in low light conditions and a housing that can be rotated for optimal viewing. Additional user-programmable functions of the LDPG-30-E include auto power-off, tare function, and password protection.

Proven Pressure Measurement Technology

Sensors manufactured by LENZ provide high accuracy, longterm stability and excellent repeatability. For optimal performance, pressure ranges up to 600 PSI (50 bar) use the LENZ ceramic sensor. Pressure ranges of 1450 PSI (100 bar) and higher utilize LENZ thin film sensor technology.



LDPG-30-S
Standard Version



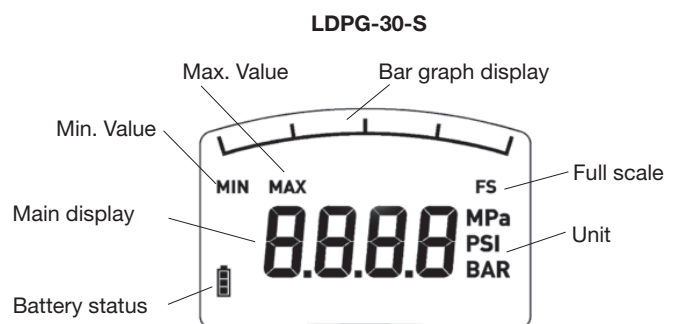
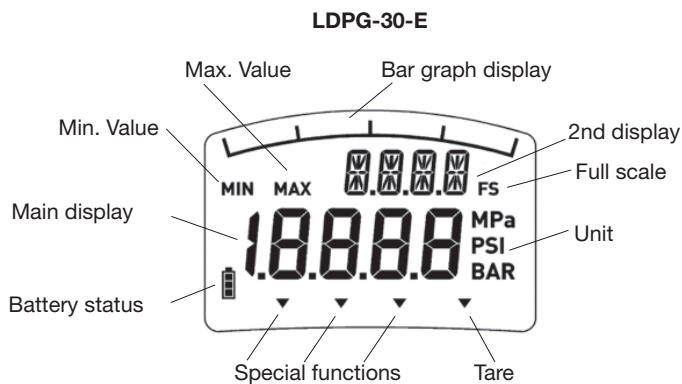
LDPG-30-E
Enhanced Version

Accessories

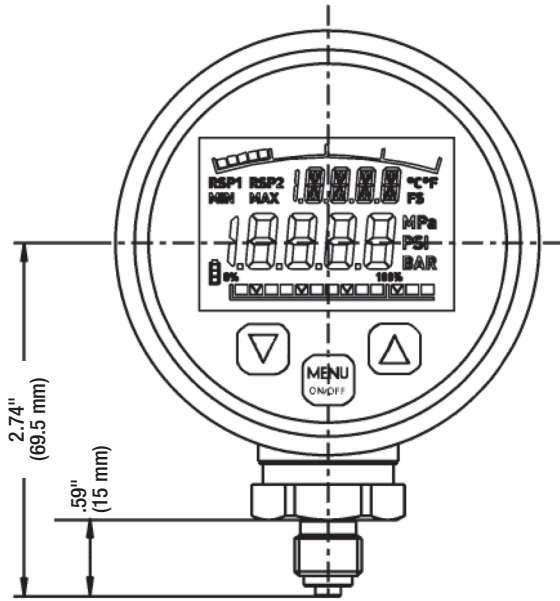
Protective boot
(black, vulcanized rubber)
Standard on LDPG-30-E



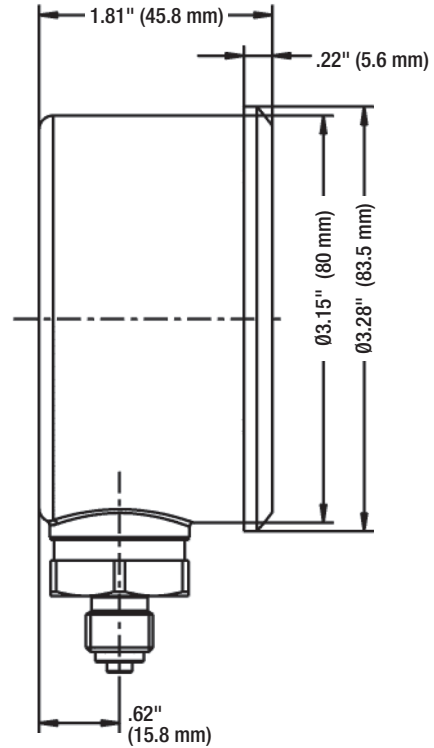
Description of the Display



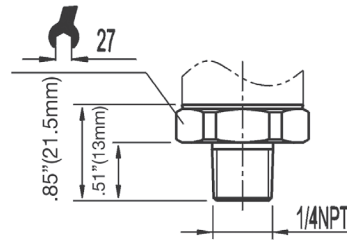
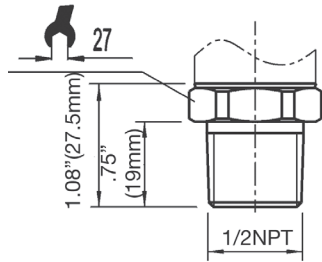
Specifications and dimensions given in this data sheet represent the state of engineering at the time of printing.
Modifications may take place and materials specified may be replaced by others without prior notice.



1/2 NPT male
Order code: 8N



1/4 NPT male
Order code: 4N



Ordering Code

LDPG30-S - C - 30-30 - 4N - PB

MODEL	
LDPG-30-S	STANDARD
LDPG-30-E	ENHANCED

PRESSURE	
G	GAUGE
C	COMPOUND

PRESSURE RANGE	
30-30	-30HG TO 29 PSI
30-72	-30HG TO 72 PSI
30-145	-30HG TO 145 PSI
30	0 TO 30 PSI
60	0 TO 60 PSI
145	0 TO 145 PSI
300	0 TO 300 PSI
600	0 TO 600 PSI
1450	0-1450 PSI
2M	0-2000 PSI
3M	0-3000 PSI
5M	0-5000 PSI
7500	0-7500 PSI
10M	0-10,000 PSI

PROCESS CONNECTION	
4N	1/4" NPT
8N	1/2" NPT

OPTIONS	
PB	PROTECTIVE BOOT



Digital Gauge

Model No. LDPG-30

Specifications		Model LDPG-30					
Pressure ranges	psi	-30 INHG ... 29 psi		-30 INHG ... 72 psi		-30 INHG ... 145 psi	
Over pressure safety	psi	70		145		290	
Burst pressure	psi	85		170		360	
Pressure ranges	psi	30	60	145	300	600	1450
Over pressure safety	psi	70	145	290	580	1450	2900
Burst pressure	psi	85	170	360	725	1740	11600
Pressure ranges	psi	2000	3000	5000	7500	10000	
Over pressure safety	psi	4640	7250	11600	17400	21750	
Burst pressure	psi	14500	17400	24650	34800	43500	
Materials							
Wetted parts							
» Pressure connection		1.4571, Stainless steel 316TI					
» Pressure sensor		Ceramic Al ₂ O ₃ 96%, NBR {EPDM } (up to 0 ... 600 psi)					
		XM-13 (1.4534) (≥ 1450 psi)					
Case		1.4301, Stainless steel 304					
Power supply		2x 1.5 V Type AA batteries					
Operating time	h	4000 (AA 2000 mAh)					
Internal sampling rate	ms	200					
Insulation voltage	VDC	500					
Display accuracy	% of span	± 0.25% B.F.S.L.					
Zero Offset	% of span	0.1 (Power-up reset)					
Zero adjustability	% of span	20 (via Tare-Function with model LDPG-30-E)					
Hysteresis	% of span	0.1					
Non-repeatability	% of span	0.1					
Long-term stability per year	% of span	0.2					
Long-term drift	% of span	0.1					
Permissible temperature of							
Medium		-4°F ... +185°F (-20°C ... +85°C) (up to 0 ... 600 psi)					
		-22°F ... +212°F (-30°C ... +100°C) (≥ 1450 psi)					
Ambient		+14°F ... +140°F (-10°C ... +60°C)					
Storage		-4°F ... +158°F (-20°C ... +70°C)					
Operating temperature range		+32°F ... +140°F (0°C ... +60°C)					
Temperature coefficients within compensated temp range							
Mean TC of zero		% of span	0.15 / 10k				
Mean TC of span		% of span	0.15 / 10k				
CE-conformity							
Pressure equipment directive		97/23/EC					
EMC directive		89/336/EEC emission (class B) and immunity according to EN 61 326					
Case rotation		300° (only with model LDPG-30-E)					
		LDPG-30-S			LDPG-30-E		
Principle		7 segment LCD 4 digit			7 segment LCD 4 1/2 digit		
					14 segment LCD 4 1/2 digit (2nd display)		
Digit size		.43" (11 mm)			.43 (11 mm) and .28" (7 mm)		
Display		-999 ... 9999			-1999 ... 19999		
Background illumination		No			Included		
Bar graph with trailing pointer function		Included			Included		
Min/Max memory		Included			Included		
Auto On/Off		Optional (ex works)			15/30/60/120 min		
Tare adjustment		No			Included		
Units bar, psi, MPa		Included			Included		
Password protection		No			Included		
Reset factory setting		No			Included		
Weight		Approx. 14oz. (400 g)					

{ } Items in curved brackets are optional extras for additional price.