

MOUNTING & INSTALLATION



Recommended Installation

Recommended bladder accumulator installation is in vertical position with fluid port at the bottom for optimum performance. Bladder accumulator mounted horizontally will reduce the performance due to trapped fluid and service life of the bladder reduced due to excessive wear when rubbing against the shell. Accumulators subjected to external forces may also have detrimental effect on performance and life expectancy. We also recommend the use of our mounting clamps and brackets to ensure rigid and safe installation of the accumulator in the hydraulic system.

Design Features

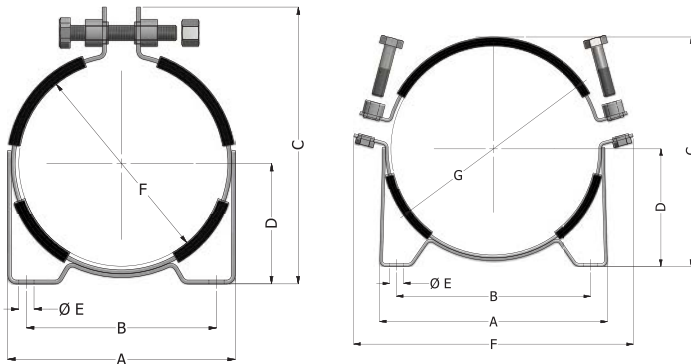
Material used for clamps and brackets are typically hot or cold rolled galvanized steel that offer exceptional strength and durability. A rubber cushioning sleeve on the clamp and a rubber grommet on the bracket provide isolation from system vibrations.

Mounting Accessories

We strongly recommend using our mounting accessories to install accumulators to ensure safe and secure installation. They are designed to carry the weight of the accumulator as well as counteract any forces or vibrations transmitted from the hydraulic lines. Recommended installation is vertical with Hydraulic port down.

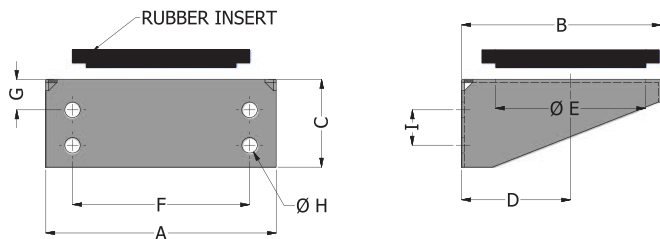


Clamps for accumulators and gas bottles



Accumulator Mounting Clamps

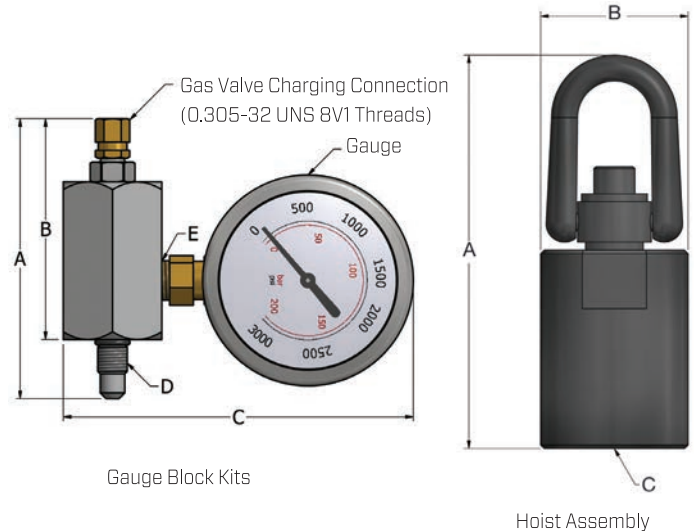
Part #	Description	A	B	C	D	E	F	G
CL01-1	Clamp 1 Quart	5.26	3.90	6.88	2.83	0.5	4.78	-
CL04-1	Clamp 1 Gallon	7.58	6.25	9.06	3.96	0.5	7.0	-
CL10-03-1	Clamp 2.5-15G 3K	10.00	8.50	10.00	5.19	0.62	12.5	9.00
CL10-05-1	Clamp 2.5-15G 5K	10.55	8.50	10.43	5.35	0.59	12	9.53



Accumulator Base Brackets

Part #	Description	A	B	C	D	E	F	G	H	I
BK-03-1	2.5-15G Base Bracket 3000 PSI	10.25	8.87	3.87	4.84	6.68	7.87	1.34	0.67	1.56
BK-05-1	2.5-15G Base Bracket 5000 PSI	10.25	9.00	3.90	5.1	6.68	7.80	1.00	0.75	1.70

* We recommend to install 2 clamps for 10 Gal and above size accumulators for secure installation



Permanent Gauge Block Kits

Part #	Description	A	B	C	D	E
PGBK-03-1LM3K	Bottom Repairable 3000 PSI Kit	3.55	2.75	4.4	3/8-24 UNF	1/4 NPT
TPGBK-03-1LM3K	Top Repairable 3000 PSI Kit	5.30	4.55	4.4	3/8-24 UNF	1/4 NPT
PGBK-05-1-LM3K	Top/Bot Repairable 5000 PSI Kit	3.78	3.34	4.4	1/2-20 UNF	1/4 NPT

Hoist Assembly for Lifting

Part #	Description	A(in)	B(in)	C	Max. Load
HA-PC04-B1	1-15 Gal 3k Hoist Assy	5.7	2.3	7/8"-14UN	1000 lbs
HA-PCT10-B1	2.5-15 Gal 5k Top Repairable Hoist Assy	7.5	2.3	7/8"-14UN	1000 lbs
HA-PC10-C1	2.5-15 Gal 5k Bottom Repairable Hoist Assy	6.7	2.5	2"-12UN	1000 lbs