



Gauge Isolator Valve

Model No. GV-4

Single Station

Specifications

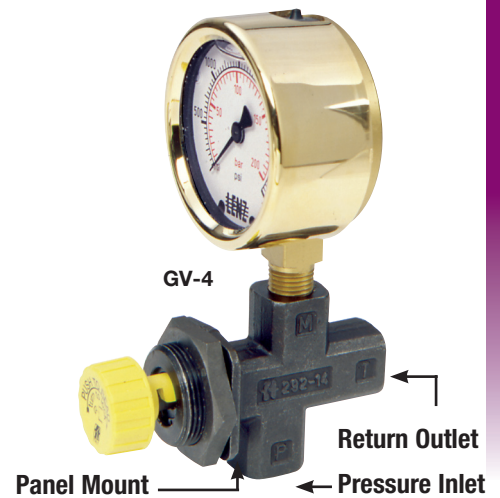
- Push knob to read
- Can be locked in actuated position
- Panel or in-line mounting
- Made of press forged steel
- 5800 P.S.I. working pressure
- Maximum panel thickness 5/16"
- 1/4" NPT ports
- Viton seals

- Compatible with petroleum based fluids and other fluids compatible with Viton seals
- Operating temperature -30°F to +240°F (-22C to +115C)

Ports: 1/4" NPT

Working Pressure: 5800 P.S.I.

Gauge isolators prevent damaging pressure surges from reaching the gauge except when a reading is required. They help to extend gauge life and maintain accuracy.



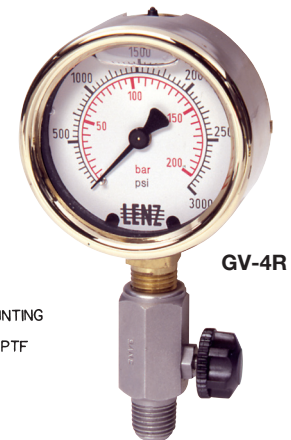
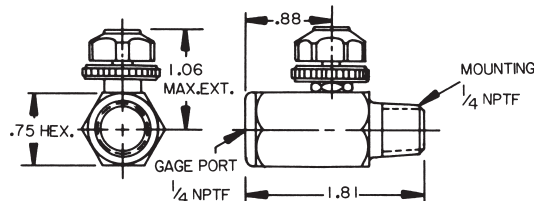
Gauge Shutoff Valve

Model # GV-4R

The LENZ Gauge Shutoff Valve is a simple effective throttling and shut-off device to isolate and protect hydraulic pressure gauges. It will quickly and positively shut off the gauge from the line pressure or, when partially opened, reduce or eliminate gauge pointer pulsations. The leakproof needle stem is internally retained.

Features:

- Steel Construction
- 5000 P.S.I. Maximum System Pressure
- Viton Seals-Compatible With Most Fluids
- Finger Tip Adjustment and Locknut



Gauge Shutoff Valve

Model # GV-4N

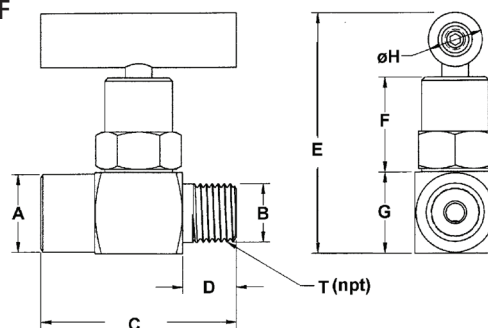
Standard Features:

- Operating Temperature: Media: max. 200°F (+93°C); min. 0°F (-18°C)
- Flow Rate: Max. $C_v = 0.42$
- Orifice Size: 0.172" (4.37mm)

Features:

- Pressure Rating: 6000 PSI
- Valve Body: Carbon Steel
- Bonnet: Carbon Steel, 12L14
- Valve Stem: 316 Stainless Steel
- Handle: T, Carbon Steel
- Handle Bolt: Carbon Steel, 12L14
- Stem Seals: Viton® O-Ring, Teflon® Back-up Ring

Male - Female



TYPE	WEIGHT	KEY	A	B	C	D	E	F	G	H	T
GV-4N	0.4 lbs.	mm in.	18.3 0.72	13.7 0.54	46 1.81	12.7 0.50	63 2.48	22 0.88	19 0.75	12.7 0.50	1/4"