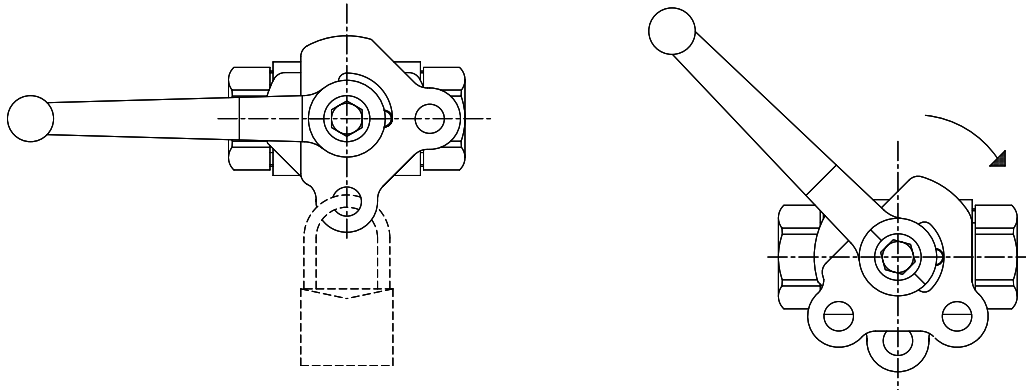


Locking Kits

LOCKING KITS AVAILABLE FROM STOCK			
PART NUMBER	VALVE SIZE	MATERIAL	SUFFIX*
LK6	1/8" - 1/2"	CARBON STEEL	L
LK20	3/4" - 1"	CARBON STEEL	L
LK32	1 1/4" - 2"	CARBON STEEL	L
LK6-S/S	1/8" - 1/2"	STAINLESS STEEL	L
LK20-S/S	3/4" - 1"	STAINLESS STEEL	L
LK32-S/S	1 1/4" - 2"	STAINLESS STEEL	L

*Add this suffix to the end of the valve part # to receive the corresponding locking kit for that size valve- installed at the factory. Carbon steel valves receive carbon steel locking kits. Stainless steel valves receive stainless locking kits.

"L" Style Lock



Consult factory for details concerning tamper proof fastener options.

