

Chelsea® 511 Series

Coaxial Mechanically Shifted
Rear Mount P.T.O.



Overview:

The new coaxial designed rear mount P.T.O. provides a compact housing which helps eliminate clearance issues. Torque ratings up to 590 Lbs. ft. or 800 N.m. for ultimate performance. The superior design of this P.T.O. provides all the power you will need so there is no need to de-rate the P.T.O. for continuous applications. The 511 has 17 mounting adapters that allow it to fit on 131 transmissions features four shift options which are integrated into the P.T.O. housing for a space saving design. The Cam lock shift mechanism provides a positive engagement for each shift cycle. The four direct mount pump flange options come standard with our Wet Spline design that provides increased P.T.O. and pump shaft life. Versatility, power, ease of maintenance and installation make the 511 Series the only choice for your vocational truck requirements.



- Fire
- Refuse
- Sewer and Sanitation
- Aerial
- Tippers

Product Features and Benefits:

Contact Information:

Parker Hannifin Corporation
Chelsea Products Division
8225 Hacks Cross Road
Olive Branch, MS 38654 USA

Phone: 1-888-PH4-TRUK
(1-888-744-8785)

Fax: 1-662-895-1069
chelseacustserv@parker.com

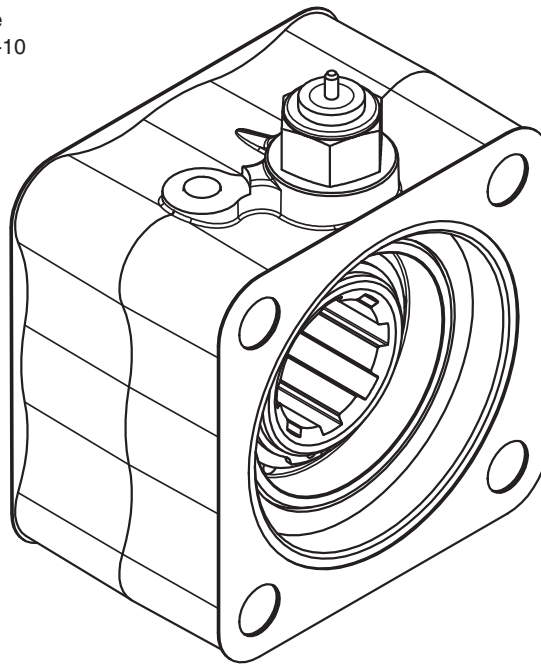
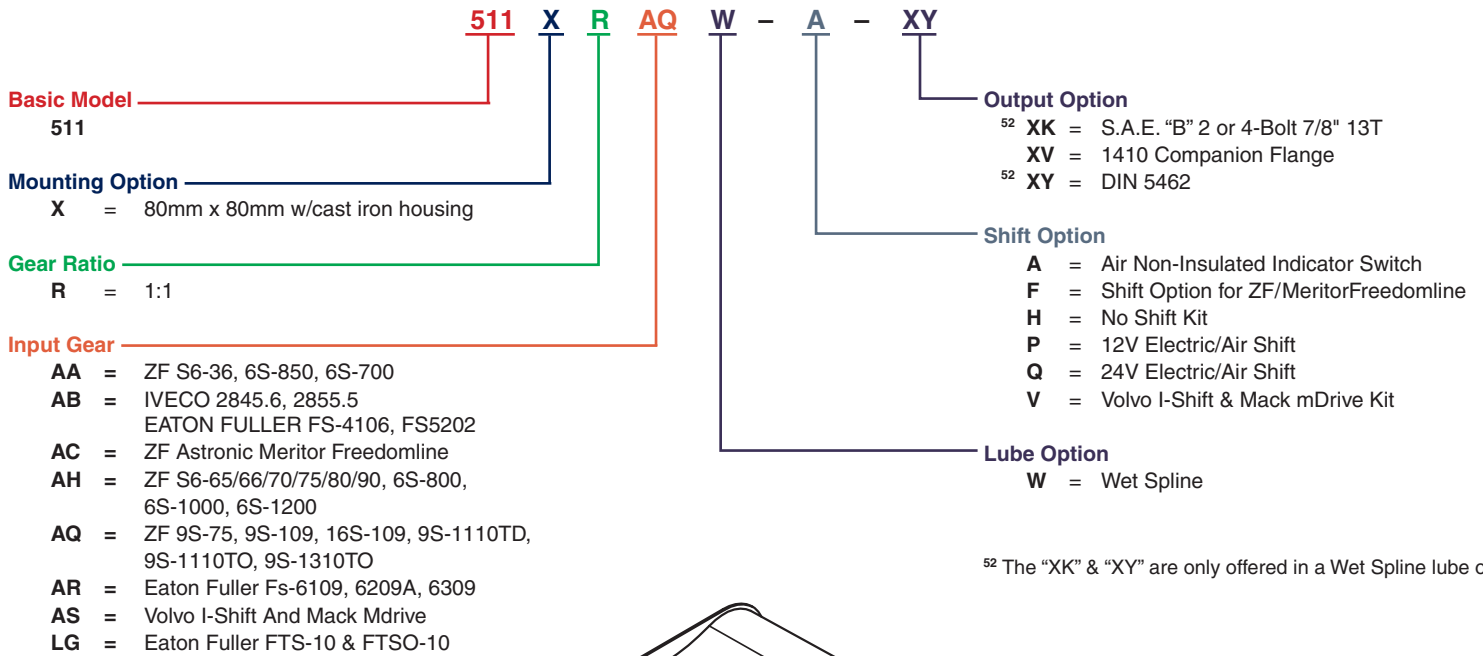
www.parker.com/chelsea

- Continuous torque rating of 800 N.m. or 590 Lbs. ft.
- Rear mount design - requires less mounting space and simplifies installation.
- No gear back lash to set - simplifying installation.
- Wet Spline outputs - Extend P.T.O. and Pump Shaft Life. Eliminates the need to disassemble to grease the mating Pump and P.T.O. shafts.
- Four direct mount pump options.
- Four Shift Options.



ENGINEERING YOUR SUCCESS.

511 SERIES POWER TAKE-OFF SPECIFICATIONS AND TECHNICAL DATA



Specifications Chart

	511*R
Standard Output Shaft Size	4-Bolt DIN 5462
Intermittent & Continuous Torque Rating (Lbs. ft.)	590
Intermittent & Continuous Torque Rating (N.m.)	800
Horsepower Rating for Intermittent & Continuous Service	
At 500 R.P.M. of Output Shaft (HP)	56
At 1000 R.P.M. of Output Shaft (HP)	112
At 500 R.P.M. of Output Shaft (Kw)	42
At 1000 R.P.M. of Output Shaft (Kw)	84
Approximate Weight:	4.2 lbs. [1.9 kg]

© 2015 Parker Hannifin Corporation

Supersedes HY25-0154-B1/US July 2014 HY25-0154-B1/US January 2015



ENGINEERING YOUR SUCCESS.