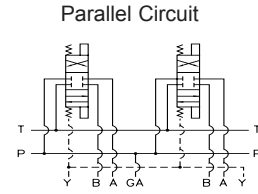
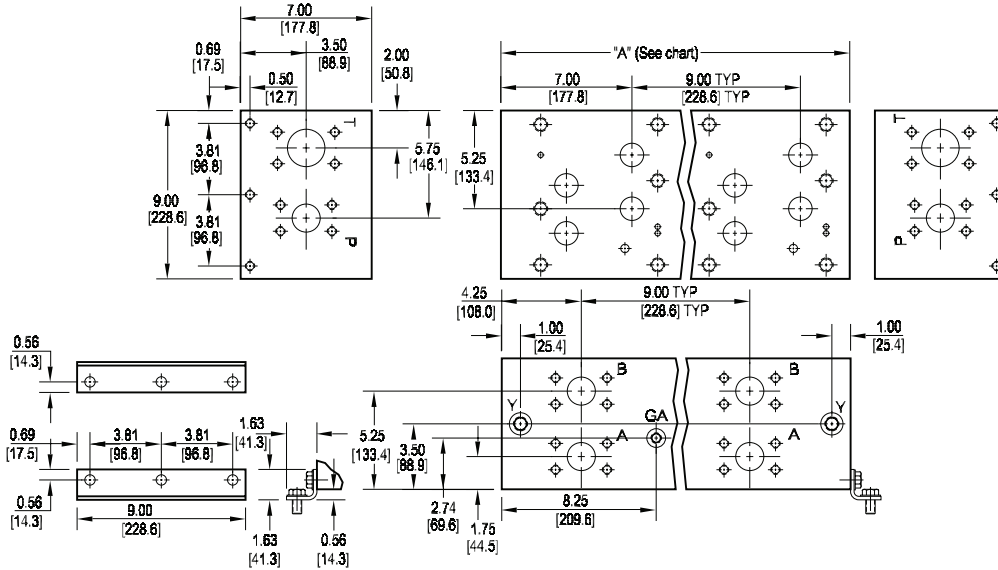
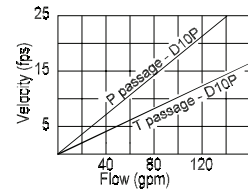


# D10 Parallel Circuit Manifold - Flange Ports



Flow Curve



Rated flow Pressure 83 gpm @ 15 fps  
 Rated flow Tank 147 gpm @ 15 fps

No. of stations	01	02	03	04
"A" length inch [mm]	10.00 [254.0]	19.00 [482.6]	28.00 [711.2]	37.00 [939.8]
apx. weight alum lb [kg]	63 [29]	120 [54]	176 [80]	233 [106]
apx. weight iron lb [kg]	170 [77]	323 [147]	476 [216]	--

All mounting hardware is supplied.  
 See page 63 for itemized list.

Port code	Valve mtg.	Manifold mtg.	Flange mtg.	GA port	Y port	X port
<b>F</b>	0.75-10 UNC x 1.63 [41] DP	0.50-13 UNC x 0.88 [22] DP	ISO 6162 Type II - Inch	-6 SAE J1926	-8 SAE J1926	-6 SAE J1926
<b>F / M</b>	M20 ISO 6H x 1.63 [41] DP	M12 ISO 6H x 0.88 [22] DP	ISO 6162 Type I - metric	NONE	<b>M16</b> ISO 6149	<b>M14</b> ISO 6149

\* X port is optional. See options on next page.

Specifications, descriptions, and dimensional data are subject to correction or change without notice or incurring obligation.  
 Download latest catalog page revisions at [www.daman.com](http://www.daman.com).

## Ordering Information

Material	Valve Pattern	Circuit	No. of Stations	Valve Spacing	Port Threads	Options
----------	---------------	---------	-----------------	---------------	--------------	---------

Material	
<b>A</b>	Aluminum - 6061-T6 3000† psi • 20.7 MPa
<b>D</b>	Ductile Iron - D4512 5000† psi • 34.5 MPa
<b>N</b>	Electroless Nickel Coated Ductile Iron - D4512 5000† psi • 34.5 MPa

† Working pressure should be considered in accordance with ISO 4413 to determine appropriate material type.

Circuit	
<b>P</b>	Parallel Circuit Standard Flow

Valve Spacing	
<b>9</b>	9.00 inch 228.6 mm

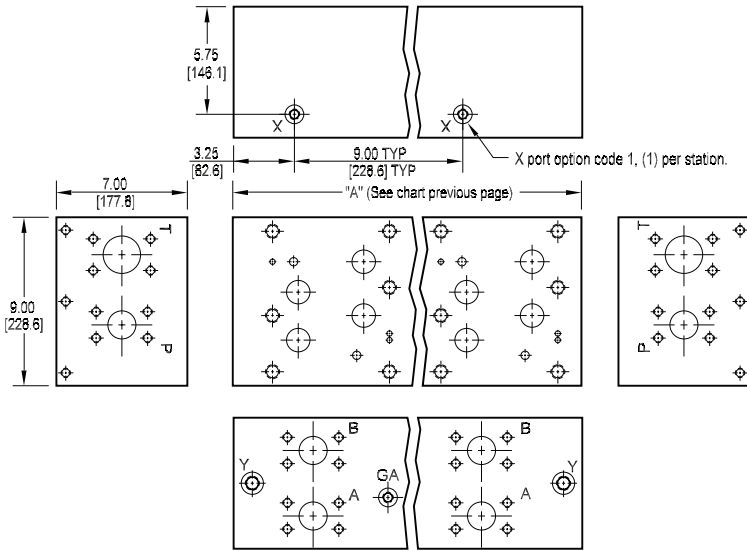
Options	
See next page for available options and ordering codes.	

No. of Stations	
Aluminum	
<b>01...04</b>	Available with spacing code 9
Ductile Iron	
<b>01...03</b>	Available with spacing code 9

Port Threads		
<b>F</b>	<b>CODE 61 4-Bolt Flange</b> SAE J518 - CODE 61 ISO 6162 - 2.5 to 35 MPa	
	1.50 CODE 61	2.00 CODE 61

Valve Pattern	
<b>D10</b>	ISO 4401-10-08 NFFPA T3.5.1-D10 See Tech Information

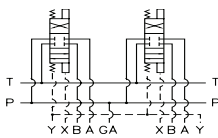
# Options - D10 Parallel Manifold - Flange Ports



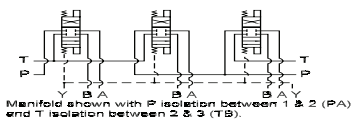
ISOLATIONS		
Daman isolation options allow a manifold to have two independent pressure and/or tank ports. Isolations are drilled rather than plugged to ensure a leakproof and failproof isolation.		
Ordering code letter:	* Isolation is between stations:	Available # of stations:
A	01 & 02	02-04
B	02 & 03	03-04
C	03 & 04	04

\* Stations are numbered left to right.

Parallel Circuit with X



Parallel Circuit with Isolations



## Ordering Information

