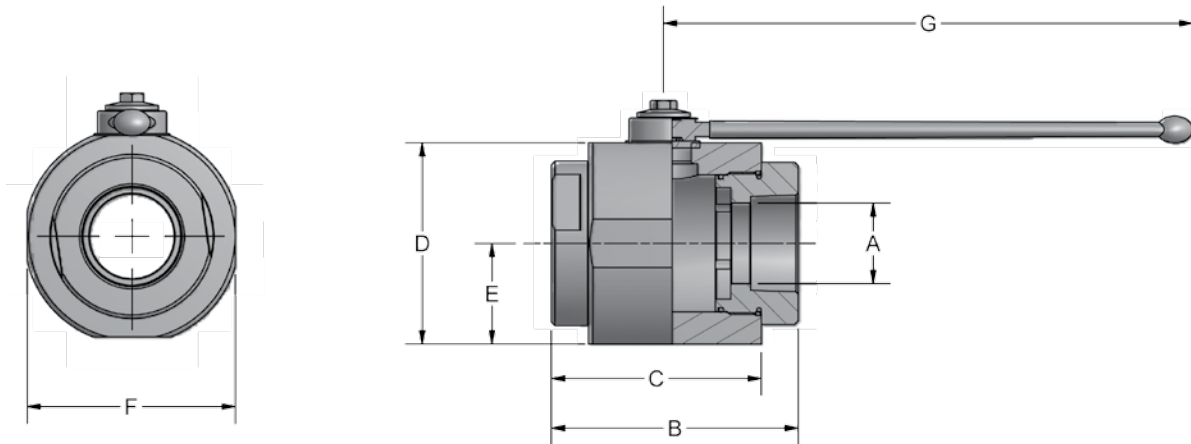


# AB2 Series - Two-Way Round Body Threaded



- Carbon Steel with Zinc Chromate Plating (RoHS Compliant)
- 316 stainless steel available from stock
- Unrestricted bore available through 2" size
- POM seats & Buna O-rings standard on carbon steel valves
- Optional seal materials available for extreme temperature applications & fluid compatibility (Consult Factory)



Standard handle supplied is C81302B. Refer to page 43 for details.

AB2 SERIES FULL BORE										
NPT	SAE	PSI MAX	A BORE	B	C	D	E	F	G	WEIGHT
AB2 N1-1/4	AB2 S#20	5075	1.26	4.53	3.74	3.66	1.83	3.46	11.81	15.4 LBS
AB2 N1-1/2	AB2 S#24	5075	1.57	5.16	4.25	4.21	2.11	4.02	11.81	16.3 LBS
AB2 N2	AB2 S#32	5075	1.97	5.51	4.53	4.49	2.24	4.65	11.81	19.9 LBS

NPT threads in accordance with ANSI B.1.20.1 specifications.  
SAE threads in accordance with SAE J1926-1 specifications.



# AB2 Series - Two-Way Round Body Threaded

## Model Code Breakdown

AB2 N1 1/2 \_ - 1 1 D B \_

**VALVE SERIES**

**CONNECTION TYPE/SIZE**

N	NPT Pipe Thread
S	SAE Straight Thread
B	BSPP Thread

**BORE RESTRICTION**

blank	Unrestricted Bore
R	Restricted Bore

**BODY & ADAPTER MATERIAL**

1	Carbon Steel
2	316 Stainless Steel

**BALL & STEM MATERIAL**

1	Carbon Steel
2	316 Stainless Steel

**LOCKING KIT OR  
OPTIONAL HANDLE CODE**  
(See pages 42 & 43)

**ADAPTER & STEM SEALS**

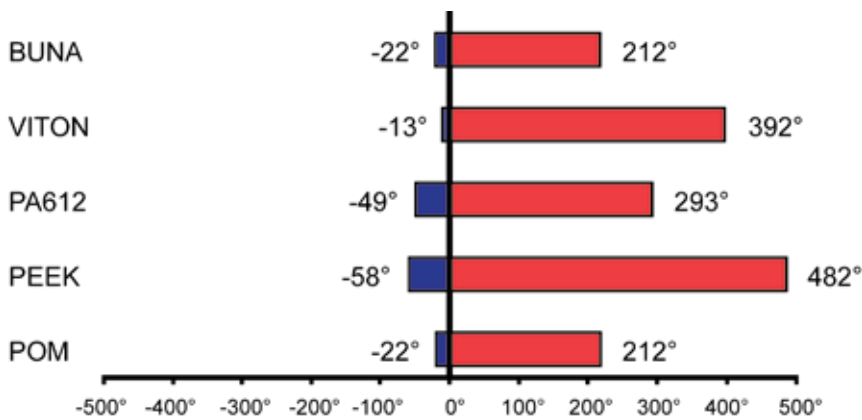
B	Buna- Standard
V	Viton (Std on S/S)

**BALL & STEM SEATS**

D	POM- Standard
P	PEEK
N	PA612

Please consult your system's seal manufacturer for recommendation of seal selection, as Anchor Fluid Power does not accept responsibility for seal selection.

**MAXIMUM & MINIMUM WORKING TEMPERATURES FOR SEAL MATERIALS**



All temperatures are in degrees Fahrenheit.