

VALVE BANK ORDERING - HOW TO BUILD A PART NUMBER


EXAMPLE 1

Valve Call Out - Left to Right

Sections in Bank

VM7 - 4B 35 20 20 35

VM-7-35 VM-7-20 VM-7-20 VM-7-35



EXAMPLE 2

Valve Call Out - Left to Right

Sections in Bank

VM7 - 5B 35 1120A 8 20EM 35

VM-7-35 VM-11-20 Detent Forward VM-8 VM-7-20-EM VM-7-35

KEY

Default = VM-7	S = Straight Handle	LK = Light Kit	A = Clip Detent Forward
8 = VM-8	20 = 20 Degree Handle	EO = On/Off Switch	B = Clip Detent Back
9 = VM-9	35 = 35 Degree Handle	EM = Momentary Switch	
11 = VM-11	45 = 45 Degree Handle		
12 = VM-12	55 = 55 Degree Handle		
13 = VM-13			
15 = VM-15			
SP = 4464 Spacer			

VM SERIES - DUAL AXIS

VM - DUAL AXIS VALVES - CONTINUOUS CONNECTION TECHNOLOGY

STEP 1:

SELECT DETENT OPTION

PART#	
VM-10	Quad Control Valve 4.33" Sq.
VM-10-W	Quad Control Valve Williams Plate
VM-10-C	Quad Control Valve 4.25" Dia.
VM-10-R	Quad Control Valve 4.93" Dia.

STEP 2:

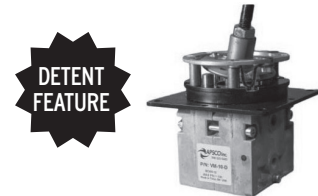
SELECT ELECTRICAL OPTION

OPTION	SUFFIX
NONE	N/A
LIGHT KIT	-NR-LK
ON/OFF SWITCH	-NR-EO
MOMENTARY SWITCH	-NR-EM
3 POSITION MOMENTARY SWITCH	-NR-3M

STEP 3:

SELECT DETENT OPTION

OPTION	SUFFIX
NONE	N/A
DETENT CLIP	-D



VM-10-C



VM-10-NR-D

STEP 1	STEP 2	STEP 3
VM-10-C	-NR-LK	-D

Example Part # VM-10-C-NR-LK-D

Quad Control Valve with 4.33" dia. mounting plate, light kit and detent clip.

ELECTRICAL RATINGS

	On/Off	Momentary
LOAD		
Restrictive	10A	10A
Inductive	5A	5A
Lamp	1A	3A
Motor	3A	-
Electrical Life (Cycles)	25,000	100,000
Seal	IP64	IP64

*Sea Level @28VDC or 115VAC, 60/400Hz

Should you not find what you are looking for, contact us at (918) 622-5600
 Visit www.apscopower.com for installation instructions and dimensional drawings