

Chelsea® 901 Series

Split Shaft P.T.O.



Overview:

The 901 Split Shaft is designed specifically for the Class 4 through 6 trucks with automatic transmissions and one or no P.T.O. openings on the transmission. This is a robust unit with the P.T.O. output shaft capable of 500 Lbs. ft. The 901 features 4 output options, a 1410 Series companion flange comes standard and optional pump flanges S.A.E. "B" 2 or 4-Bolt, "C" 2-Bolt and "C" 4-Bolt openings allowing a variety of driven equipment to be mounted. The output shaft runs at 100% of input speed. This unit is an excellent choice when you need to operate more than one piece of driven equipment. This unit can be lever or air shifted, and comes standard with a 1-3/4" - 10T input output shaft.

- Pumper Cleaner
- Fire and Rescue
- Tire Service Vehicles

Contact Information:

Parker Hannifin Corporation
Chelsea Products Division
8225 Hacks Cross Road
Olive Branch, MS 38654 USA

Phone: 1-888-PH4-TRUK
(1-888-744-8785)

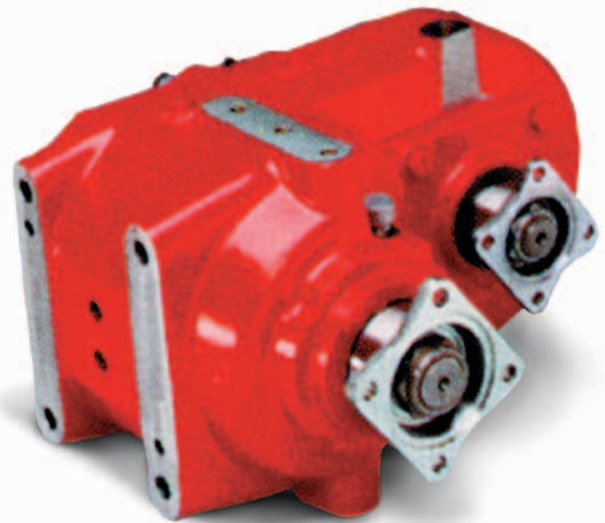
Fax: 1-662-895-1069
chelseacustserv@parker.com

www.parker.com/chelsea



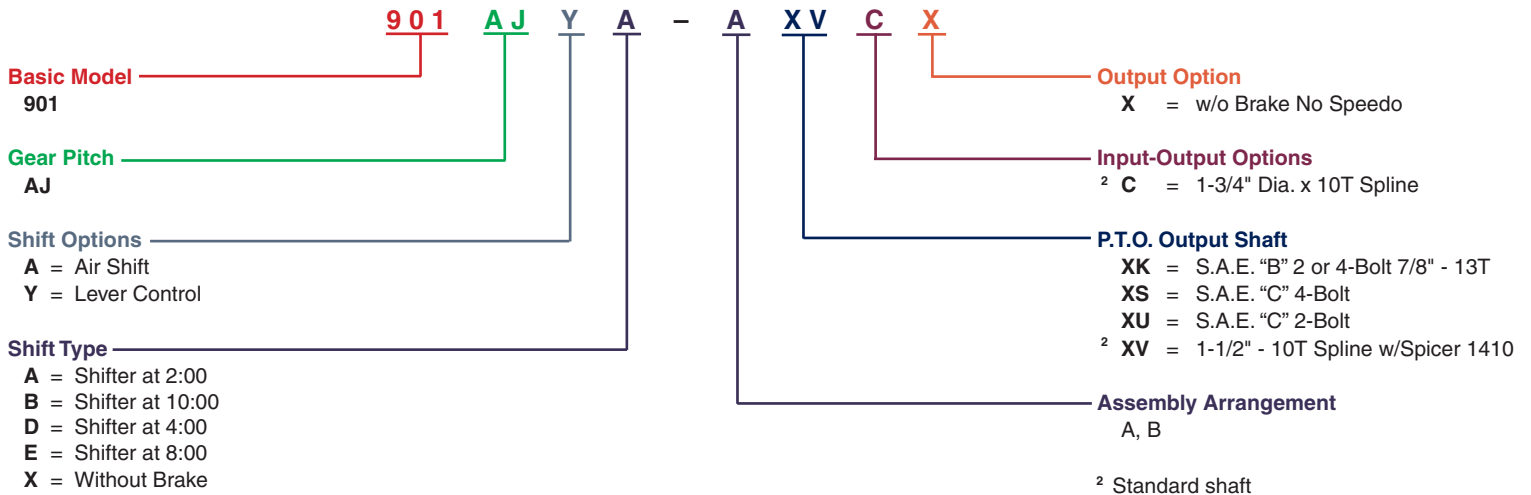
Product Features and Benefits:

- Used on medium duty trucks that have applications requiring the torque capacity of an 8-Bolt P.T.O.
- Provides 100% of input speed
- Mount in any orientation with the P.T.O. shaft going to the front or rear of the truck
- Air and Lever shift available, along with three direct mount flanges

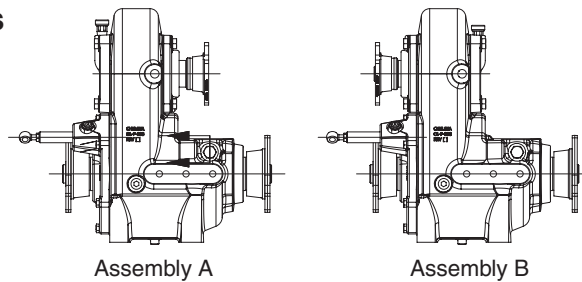


ENGINEERING YOUR SUCCESS.

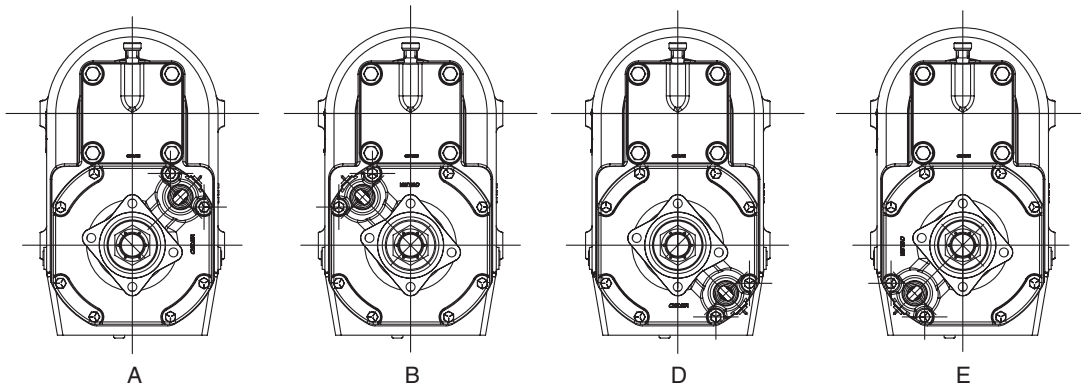
901 SERIES POWER TAKE-OFF SPECIFICATIONS AND TECHNICAL DATA



Assembly Arrangements



Shifter Arrangements



Specifications Chart

	901
Standard Output Shaft Size	1-3/4" 10T Spline
Intermittent Torque Rating (Lbs. ft.)	500
Intermittent Torque Rating (N.m.)	678
Horsepower Rating for Intermittent Service	
At 500 R.P.M. of the Output Shaft (HP)	48
At 1000 R.P.M. of the Output Shaft (HP)	95
At 500 R.P.M. of the Output Shaft (Kw)	36
At 1000 R.P.M. of the Output Shaft (Kw)	71
Approximate Weight:	185 lbs. [84 kg]