

Technical Information

- CV Check Valves
- SH Shuttle Valves
- LM Load/Motor Controls
- FC Flow Controls
- PC Pressure Controls
- LE Logic Elements
- DC Directional Controls
- MV Manual Valves
- SV Solenoid Valves
- PV Proportional Valves
- CE Coils & Electronics
- BC Bodies & Cavities
- TD Technical Data

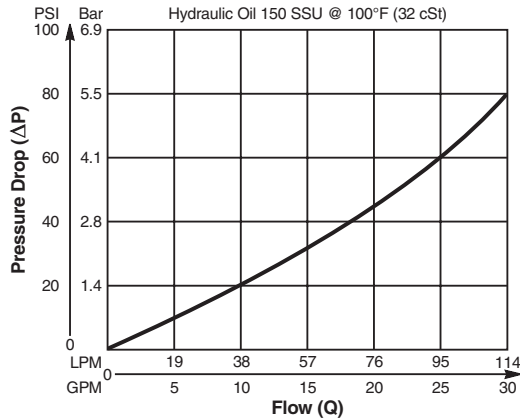
Valve/Cavity Compatibility

For additional information see Technical Tips on pages BC1-BC6.

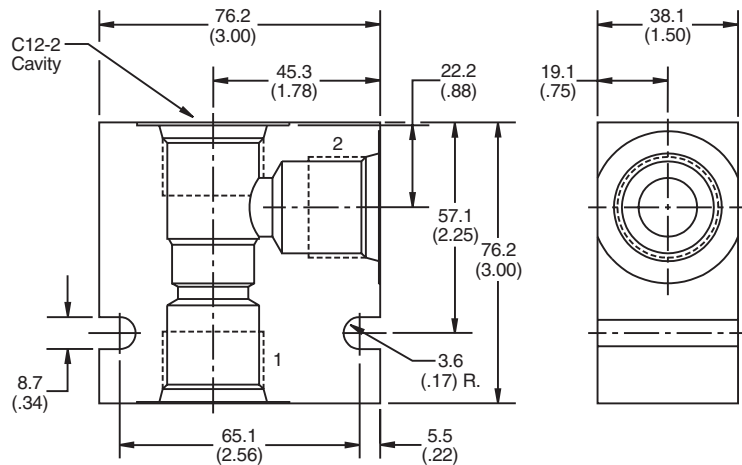
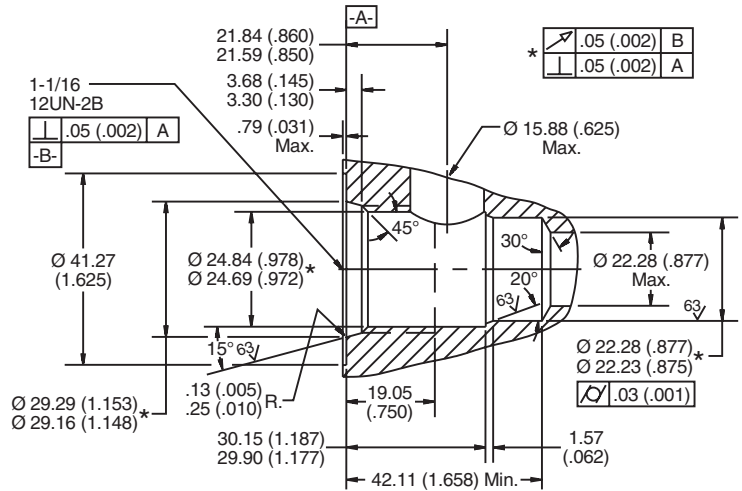
CAVITY	VALVE				
	Winner's Circle	Parker	Waterman	FPS	CEC
Winner's Circle	X	X	X		
Parker	X	X	X		
Waterman	X	X	X		
FPS					
CEC					X

Performance Curve

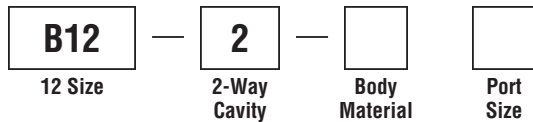
Pressure Drop vs. Flow



Dimensions Millimeters (Inches)



Ordering Information



Code	Body Material
Omit	Steel
A	Aluminum

Code	Port Size
12P	3/4" NPTF
8T	SAE - 8
12T	SAE - 12

**Form Tool:** Rougher None  
Finisher NFT12-2F  
**Weight:** .45 kg (1.0 lbs.)