

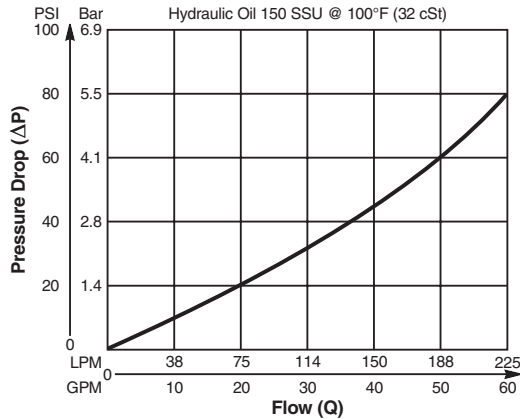
Valve/Cavity Compatibility

For additional information see Technical Tips on pages BC1-BC6.

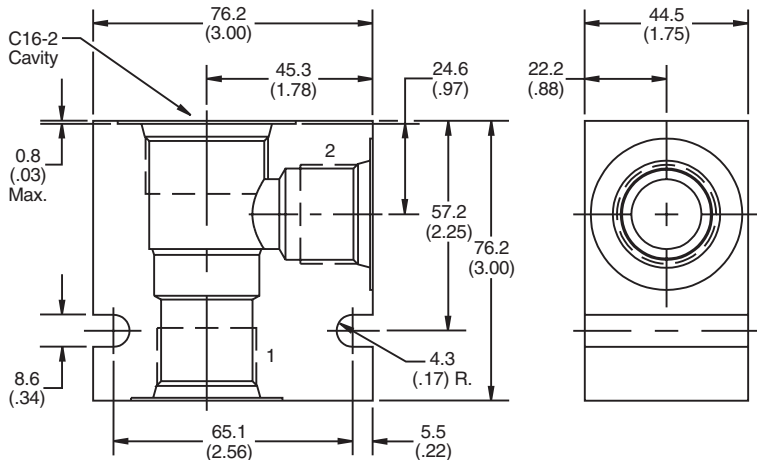
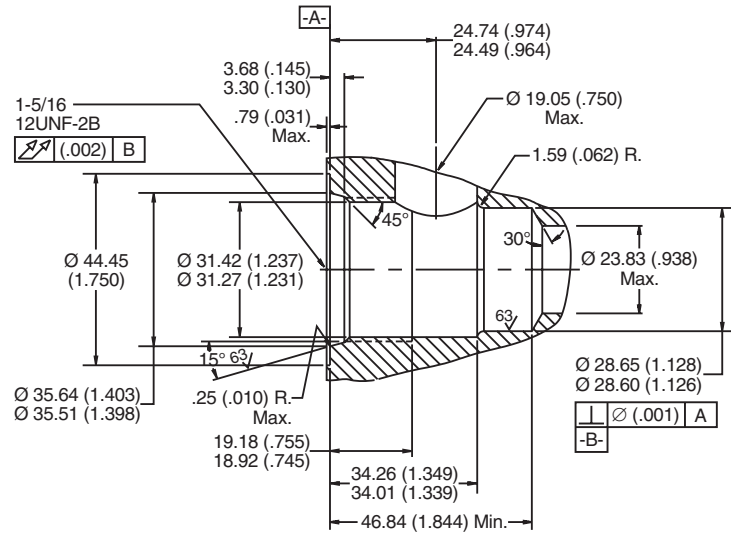
		VALVE				
		Winner's Circle	Parker	Waterman	FPS	CEC
CAVITY	Winner's Circle	X	X	X	X	X
	Parker	X	X	X		
	Waterman	X	X	X		
	FPS	X			X	X
	CEC	X			X	X

Performance Curve

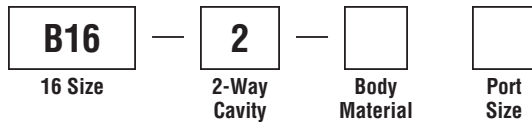
Pressure Drop vs. Flow



Dimensions Millimeters (Inches)



Ordering Information



Code	Body Material
Omit	Steel
A	Aluminum

Code	Port Size
12P	3/4" NPTF
16P	1" NPTF
8T	SAE - 8
12T	SAE - 12
16T	SAE - 16
12B†	3/4" BSPG
16B	1" BSPG

† Steel body only.

Form Tool: Rougher None
 Finisher NFT16-2F
Weight: 1.5 kg (3.4 lbs.)

- CV** Check Valves
- SH** Shuttle Valves
- LM** Load/Motor Controls
- FC** Flow Controls
- PC** Pressure Controls
- LE** Logic Elements
- DC** Directional Controls
- MV** Manual Valves
- SV** Solenoid Valves
- PV** Proportional Valves
- CE** Coils & Electronics
- BC** Bodies & Cavities
- TD** Technical Data