

Technical Information

- CV** Check Valves
- SH** Shuttle Valves
- LM** Load/Motor Controls
- FC** Flow Controls
- PC** Pressure Controls
- LE** Logic Elements
- DC** Directional Controls
- MV** Manual Valves
- SV** Solenoid Valves
- PV** Proportional Valves
- CE** Coils & Electronics
- BC** Bodies & Cavities
- TD** Technical Data

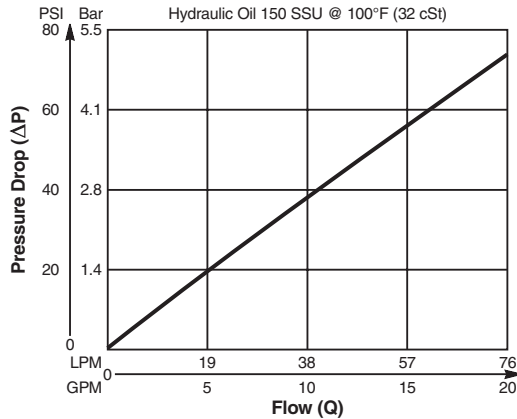
Valve/Cavity Compatibility

For additional information see Technical Tips on pages BC1-BC6.

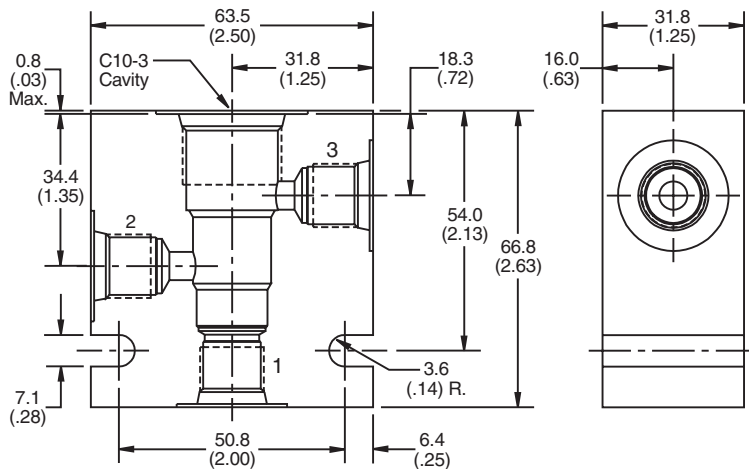
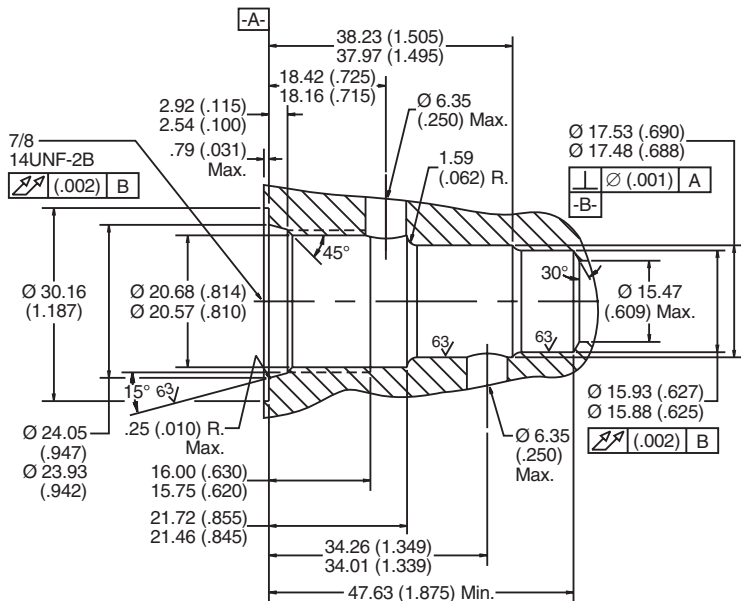
CAVITY	VALVE				
	Winner's Circle	Parker	Waterman	FPS	CEC
Winner's Circle	X	X	X	X	X
Parker	X	X	X	X	X
Waterman	X	X	X	X	X
FPS	X	X	X	X	X
CEC	X	X	X	X	X

Performance Curve

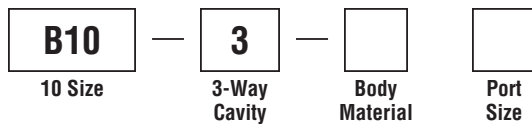
Pressure Drop vs. Flow



Dimensions Millimeters (Inches)



Ordering Information



Code	Body Material
Omit	Steel
A	Aluminum

Code	Port Size
4P	1/4" NPTF
6P	3/8" NPTF
8P	1/2" NPTF
6T	SAE - 6
8T	SAE - 8
6B†	3/8" BSPG
8B	1/2" BSPG

† Steel body only.

**Form Tool:** Rougher NFT10-3R  
Finisher NFT10-3F  
**Weight:** .77 kg (1.7 lbs.)