

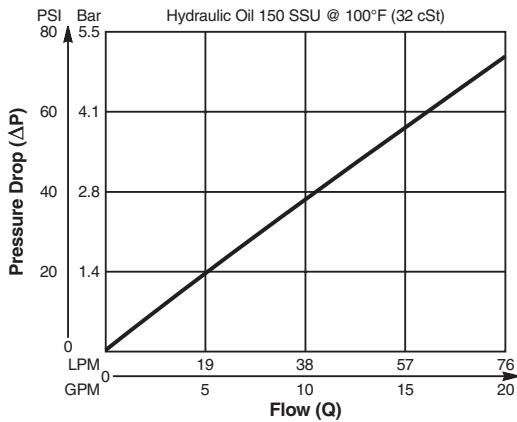
Valve/Cavity Compatibility

For additional information see Technical Tips on pages BC1-BC6.

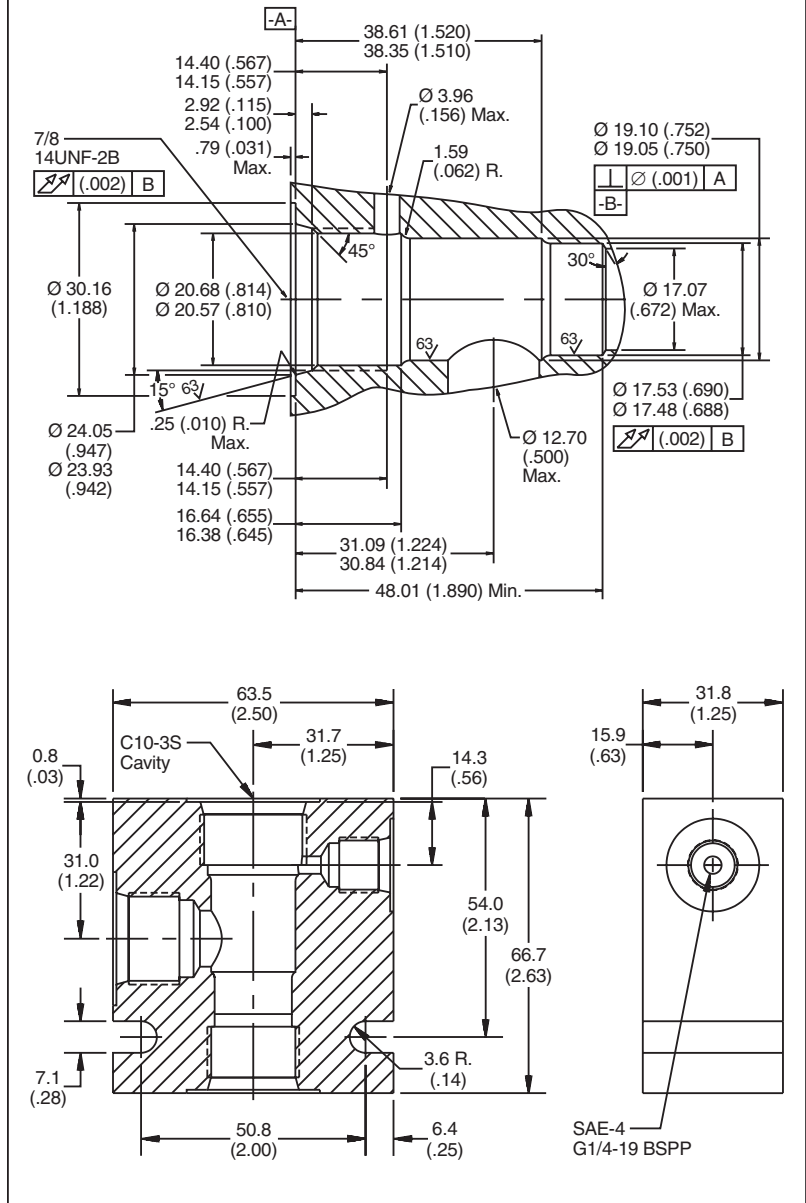
		VALVE				
		Winner's Circle	Parker	Waterman	FPS	CEC
CAVITY	Winner's Circle	X			X	X
	Parker					
	Waterman					
	FPS	X			X	X
	CEC	X			X	X

Performance Curve

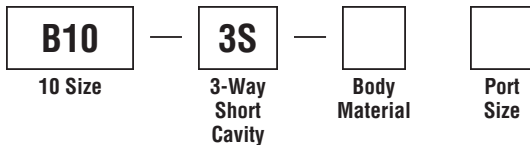
Pressure Drop vs. Flow



Dimensions Millimeters (Inches)



Ordering Information



Code	Body Material
Omit	Steel
A	Aluminum

Code	Port Size
6T	SAE - 6
8T	SAE - 8
6B	3/8" BSPG
8B	1/2" BSPG

Form Tool: Rougher NFT10S-3R
 Finisher NFT10S-3F
Weight: .77 kg (1.7 lbs.)

- CV** Check Valves
- SH** Shuttle Valves
- LM** Load/Motor Controls
- FC** Flow Controls
- PC** Pressure Controls
- LE** Logic Elements
- DC** Directional Controls
- MV** Manual Valves
- SV** Solenoid Valves
- PV** Proportional Valves
- CE** Coils & Electronics
- BC** Bodies & Cavities
- TD** Technical Data