

Technical Information

- CV Check Valves
- SH Shuttle Valves
- LM Load/Motor Controls
- FC Flow Controls
- PC Pressure Controls
- LE Logic Elements
- DC Directional Controls
- MV Manual Valves
- SV Solenoid Valves
- PV Proportional Valves
- CE Coils & Electronics
- BC Bodies & Cavities
- TD Technical Data

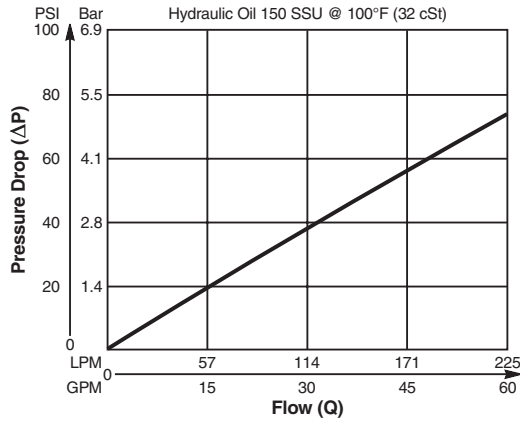
Valve/Cavity Compatibility

For additional information see Technical Tips on pages BC1-BC6.

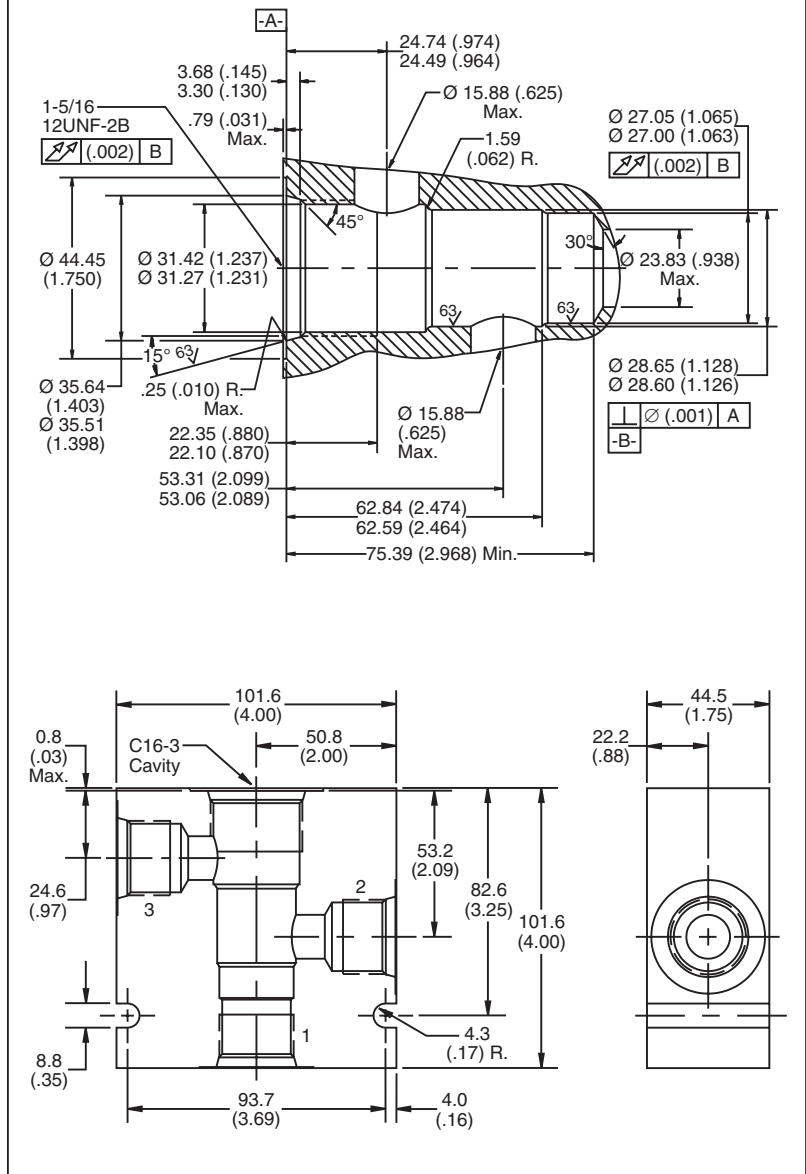
CAVITY	VALVE				
	Winner's Circle	Parker	Waterman	FPS	CEC
Winner's Circle	X	X	X	X	X
Parker	X	X	X		
Waterman	X	X	X		
FPS	X			X	X
CEC	X			X	X

Performance Curve

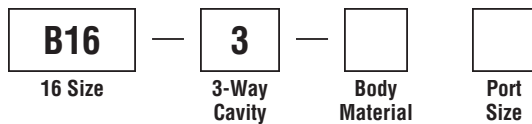
Pressure Drop vs. Flow



Dimensions Millimeters (Inches)



Ordering Information



Code	Body Material	Code	Port Size
Omit	Steel	12T	SAE - 12
A	Aluminum	16T	SAE - 16

Form Tool: Rougher NFT16-3R
Finisher NFT16-3F
Weight: 3.0 kg (6.5 lbs.)