

4

3

2

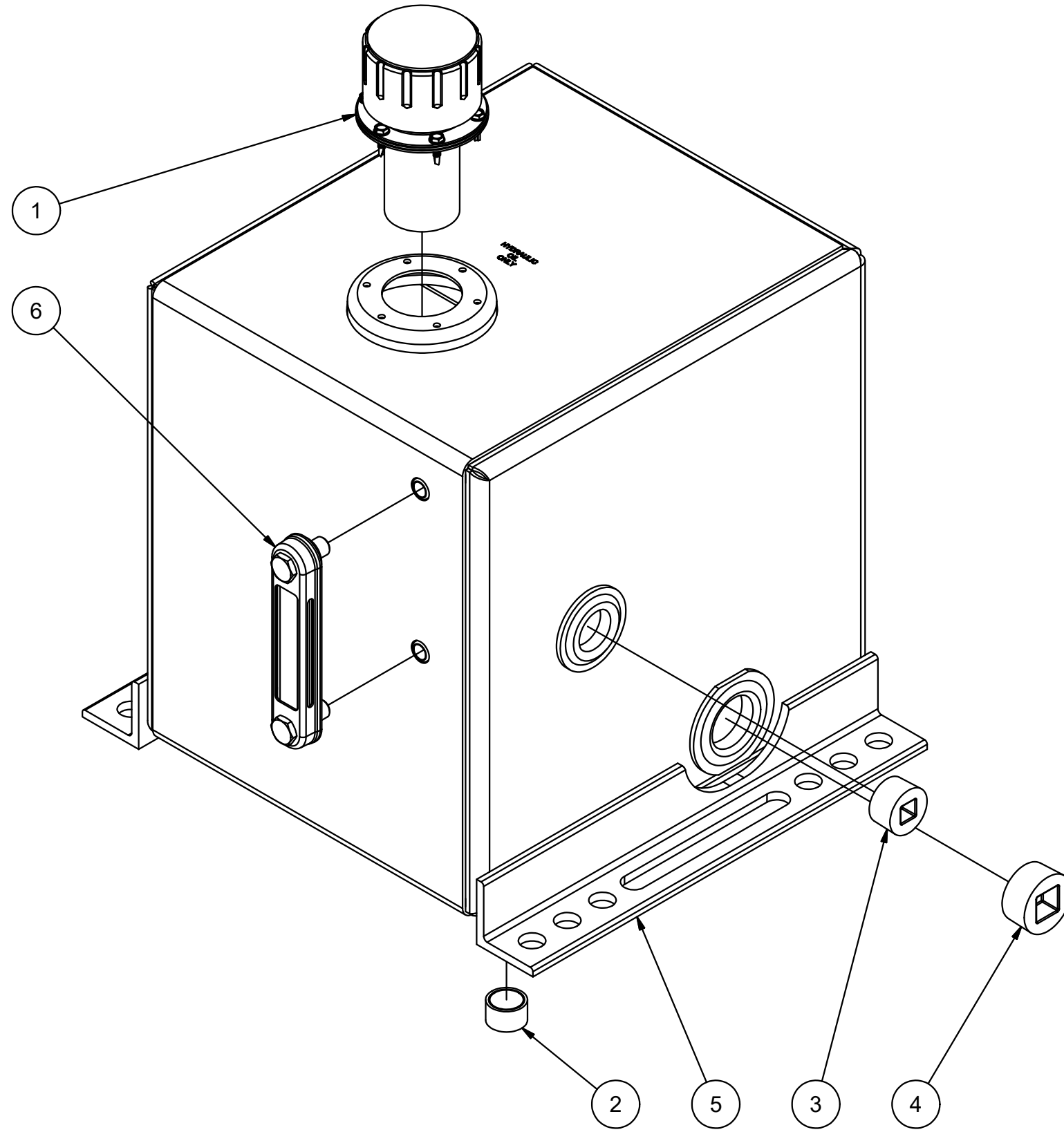
1

Parts List

ITEM	QTY	PART NUMBER	DESCRIPTION
1	1	57XL-40	40 Micron FILL w/30 Mesh Stainless Strainer
2	1	APP0750-M	3/4" NPT MAG PLUG
3	1	APP1000	1" NPT PLUG
4	1	APP1250	1 1/4" NPT SQUARE SOCKET PLUG
5	1	N_A3100BE	NAM WELDMENT ~43 lbs
6	1	T-LLG-5	SIGHT/TEMP. GAUGE, 5"

NOTES:

- POWDER COAT BLACK
- APPLY RUST INHIBITOR INSIDE
- PLUG ALL PORTS FOR SHIPMENT



WT: ~41.7 lbs

ALL INFORMATION IN THIS DOCUMENT IS PROPRIETARY TO AMERICAN MOBILE POWER AND SHALL NOT BE COPIED OR REPRODUCED IN ANY FORM WITHOUT PERMISSION.

AMERICAN MOBILE POWER PH: (800) 634-8265 FAX: (765) 948-3403	DRAWING BY: BPKNIGHT	DESIGN FOR: AMP	FILE NAME: A3100BE	
	COMPLETED: 8/24/2012		SHEET: 1 of 7	SHEET SIZE: B

4

3

2

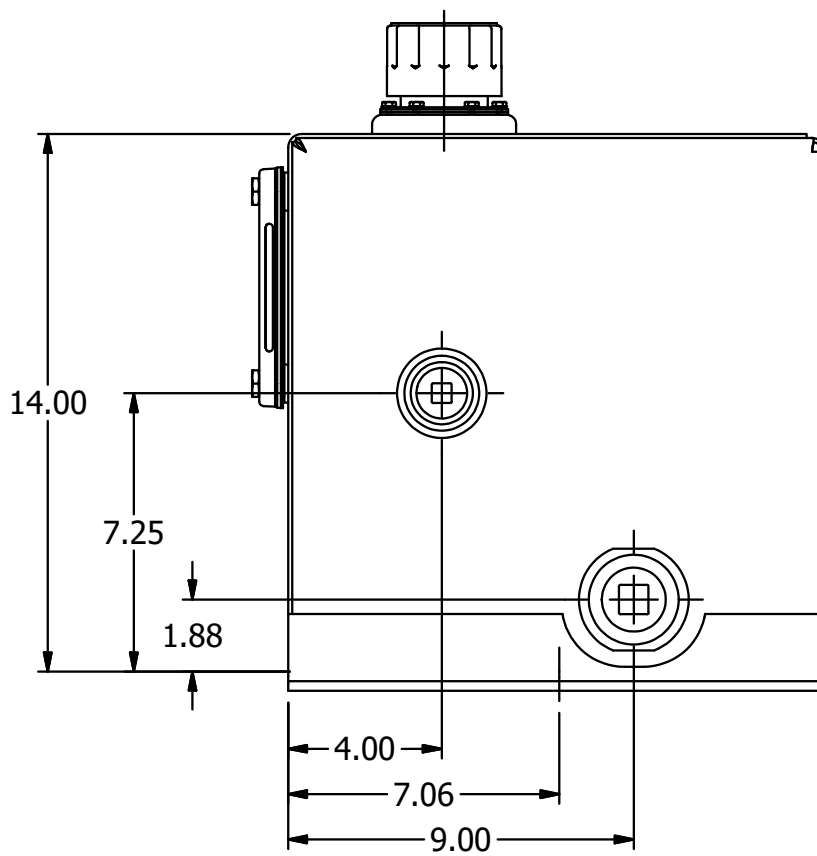
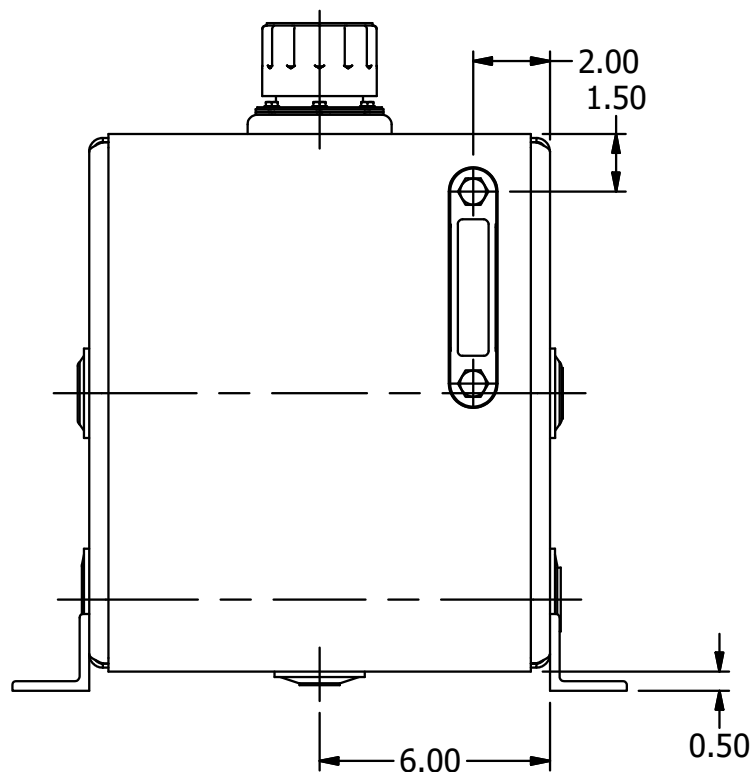
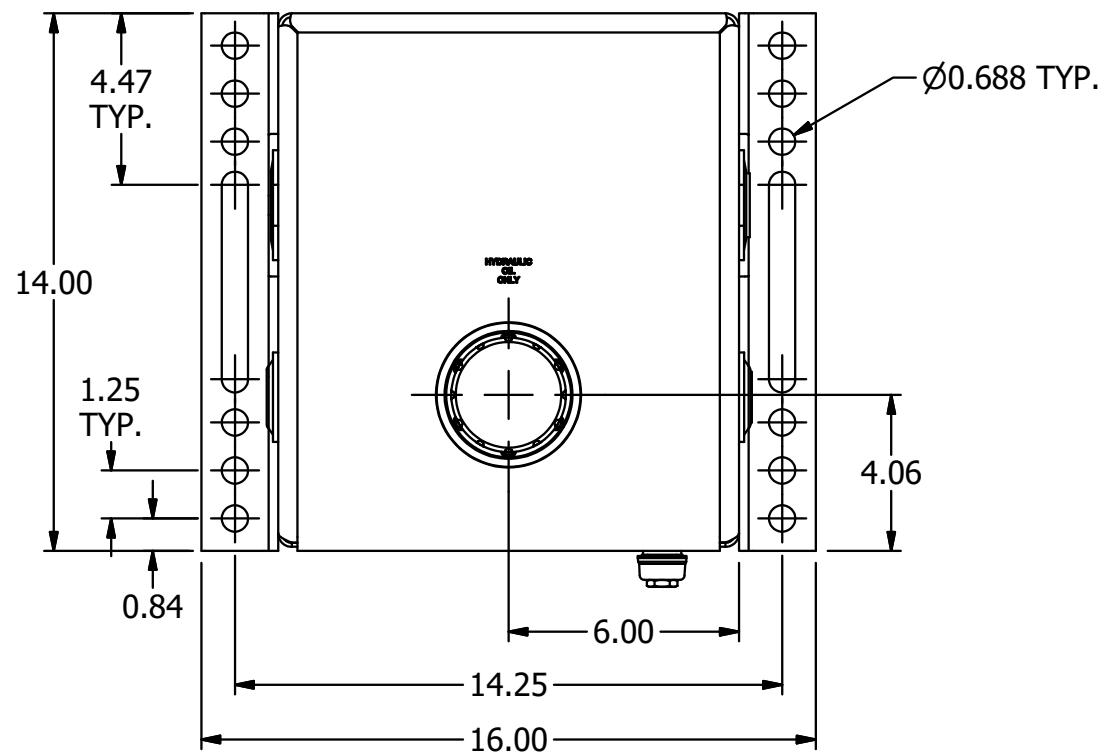
1

4

3

2

1



B

B

A

A

ALL INFORMATION IN THIS DOCUMENT IS PROPRIETARY TO AMERICAN MOBILE POWER AND SHALL NOT BE COPIED OR REPRODUCED IN ANY FORM WITHOUT PERMISSION.

AMERICAN MOBILE POWER PH: (800) 634-8265 FAX: (765) 948-3403	DRAWING BY: BPKNIGHT	DESIGN FOR: AMP	FILE NAME: A3100BE	
	COMPLETED: 8/24/2012		SHEET: 2 of 7	SHEET SIZE: B

4

3

2

1

4

3

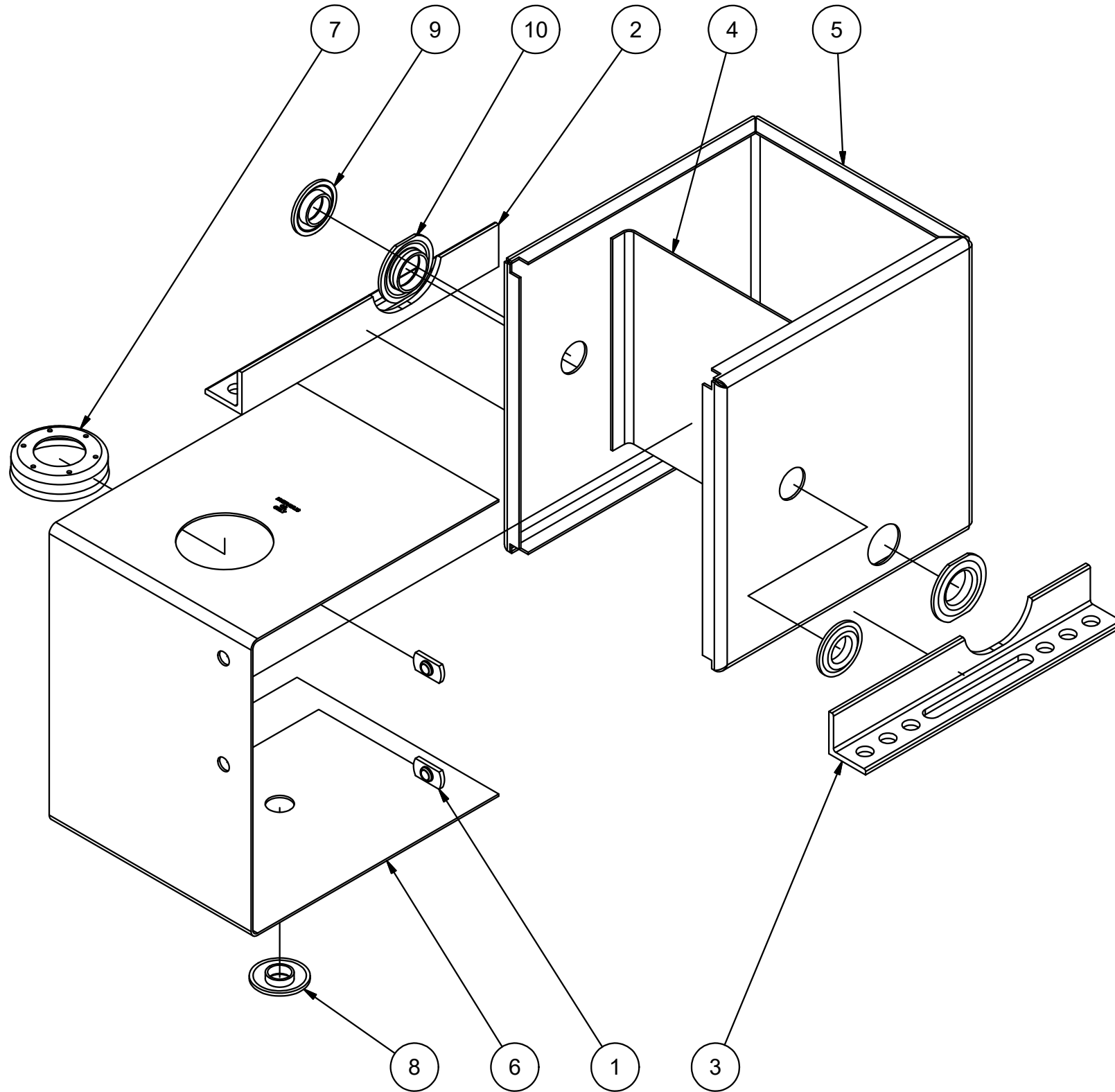
2

1

Parts List

ITEM	QTY	PART NUMBER	DESCRIPTION	Fab Qty
1	2	0500-13-FWN	1/2"-13 UNC WELD NUT	
2	1	A3100BEAL	2 X 2 X 1/4" MFG ANGLE ALT.	
3	1	A3100BEAR	2 X 2 X 1/4" MFG ANGLE ALT.	
4	1	A3100BF	12 GA HRPO BAFFLE	
5	1	A3100BS	12 GA HRPO SIDE-BACK-SIDE	
6	1	A3100FS	12 GA HRPO TOP-FRONT-BOTTOM	
7	1	AFS-301	13 GA HRPO Fill Ass'y Weld Flange	
8	1	SWF0750	3/4" NPTF STEEL WELD FLANGE	
9	2	SWF1000	1" NPTF STEEL WELD FLANGE	
10	2	SWF1250	1 1/4" NPSC STEEL WELD FLANGE	

NOTES:
 -POWDER COAT BLACK
 -APPLY RUST INHIBITOR INSIDE
 -PLUG ALL PORTS FOR SHIPMENT



B

B

A

A

4

3

2

1

ALL INFORMATION IN THIS DOCUMENT IS PROPRIETARY TO AMERICAN MOBILE POWER AND SHALL NOT BE COPIED OR REPRODUCED IN ANY FORM WITHOUT PERMISSION.

AMERICAN MOBILE POWER	DRAWING BY: BPKNIGHT	DESIGN FOR: AMP	FILE NAME: A3100BE	
	COMPLETED: 8/24/2012		SHEET: 3 of 7	SHEET SIZE: B
PH: (800) 634-8265 FAX: (765) 948-3403				