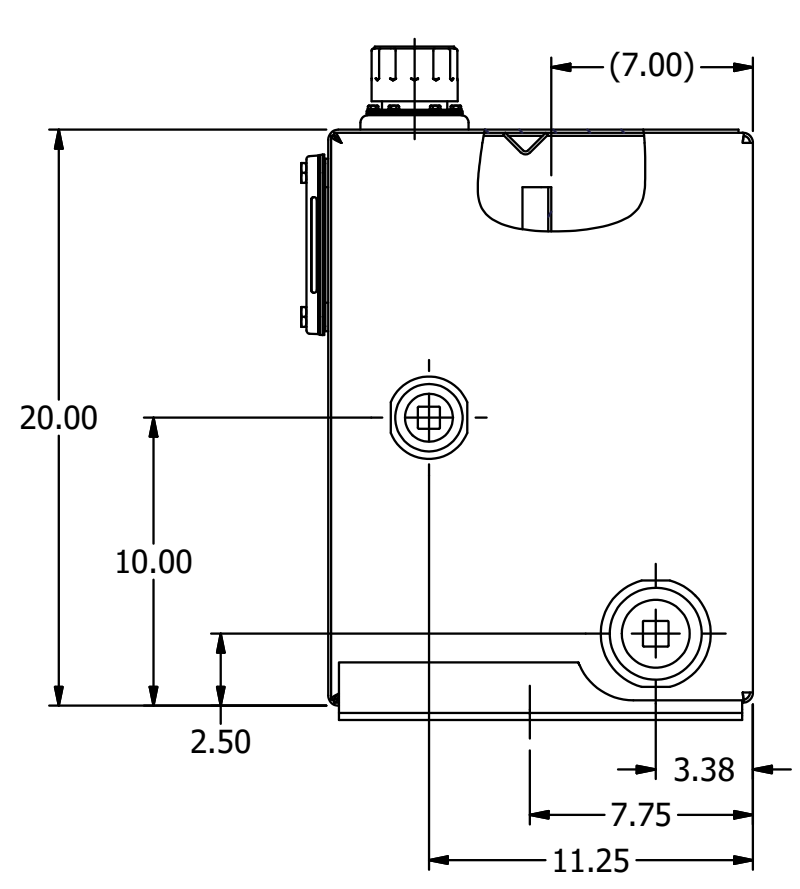
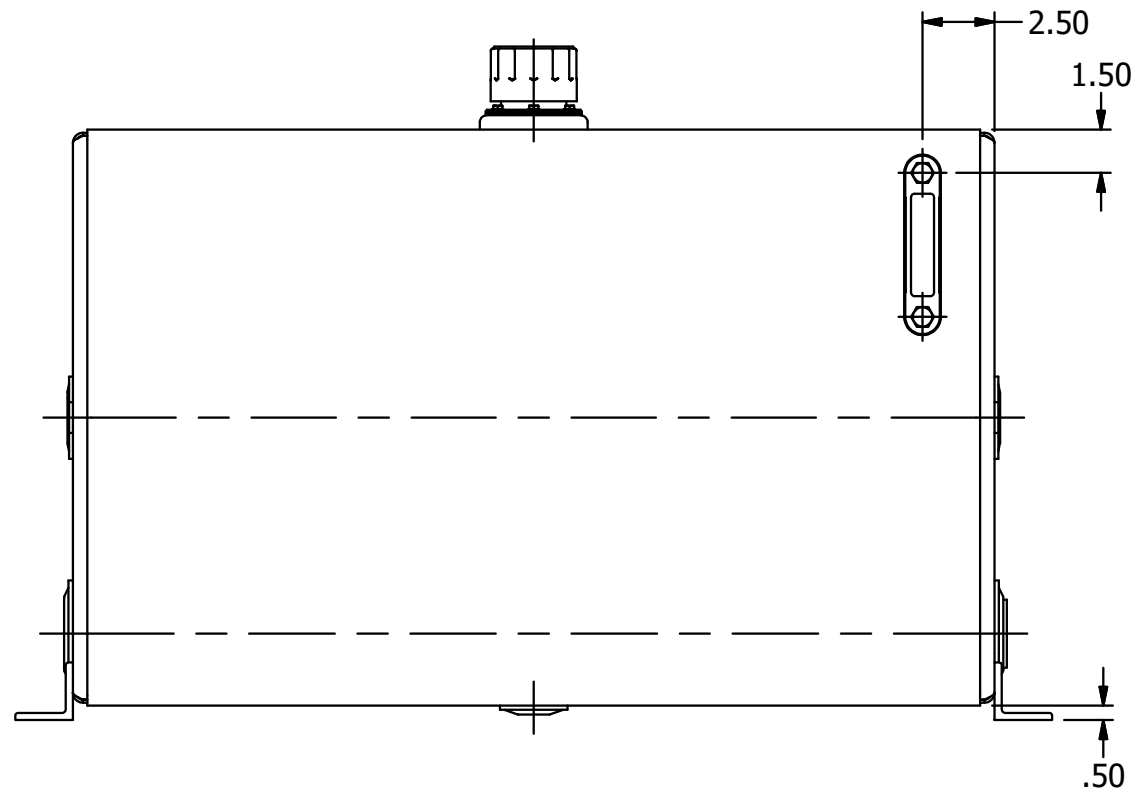
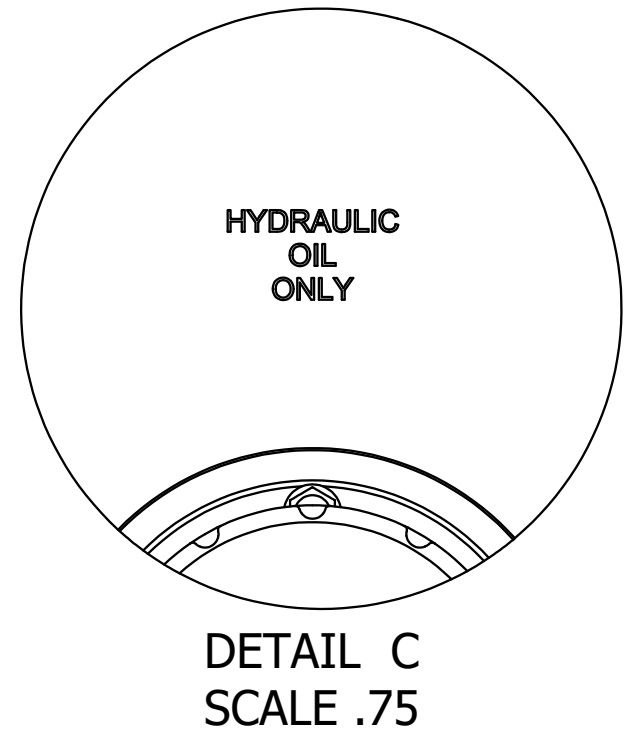
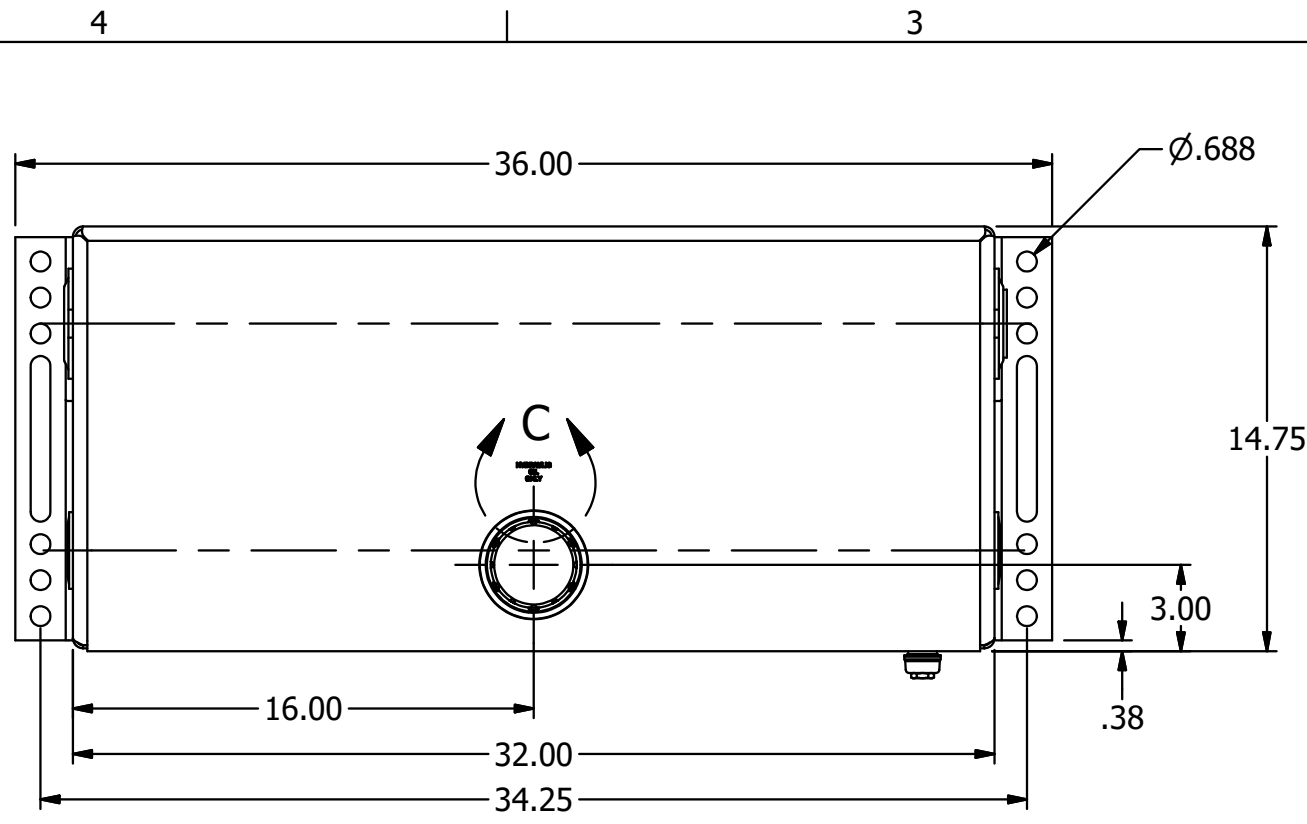


Parts List			
ITEM	QTY	PART NUMBER	DESCRIPTION
1	1	57XL-40	40 Micron FILL w/30 Mesh Stainless Strainer
2	1	APP0750-M	3/4" NPT MAG PLUG
3	1	APP1250	1 1/4" NPT SQUARE SOCKET PLUG
4	1	APP2000	2" NPT SQUARE SOCKET PLUG
5	1	N_A3400BE	NAM WELDMENT ~110 1/4 lbs
6	1	T-LLG-5	SIGHT/TEMP. GAUGE, 5"

NOTES:  
 -POWDER COAT BLACK  
 -APPLY RUST INHIBITOR INSIDE  
 -PLUG ALL PORTS FOR SHIPMENT

<b>AMERICAN MOBILE POWER</b> <small>PH: (800) 634-8265 FAX: (765) 948-3403</small>	DRAWING BY: <b>BPKNIGHT</b>	DESIGN FOR: <b>AMP</b>	FILE NAME: <b>A3400BE</b>	
	COMPLETED: <b>8/13/2012</b>		SHEET: <b>1 of 10</b>	SHEET SIZE: <b>B</b>



<b>AMERICAN MOBILE POWER</b> PH: (800) 634-8265 FAX: (765) 948-3403	DRAWING BY: BPKNIGHT	DESIGN FOR: AMP	FILE NAME: A3400BE	
	COMPLETED: 8/13/2012		SHEET: 2 of 10	SHEET SIZE: B

4

3

2

1

B

B

A

A

4

3

2

1

4

3

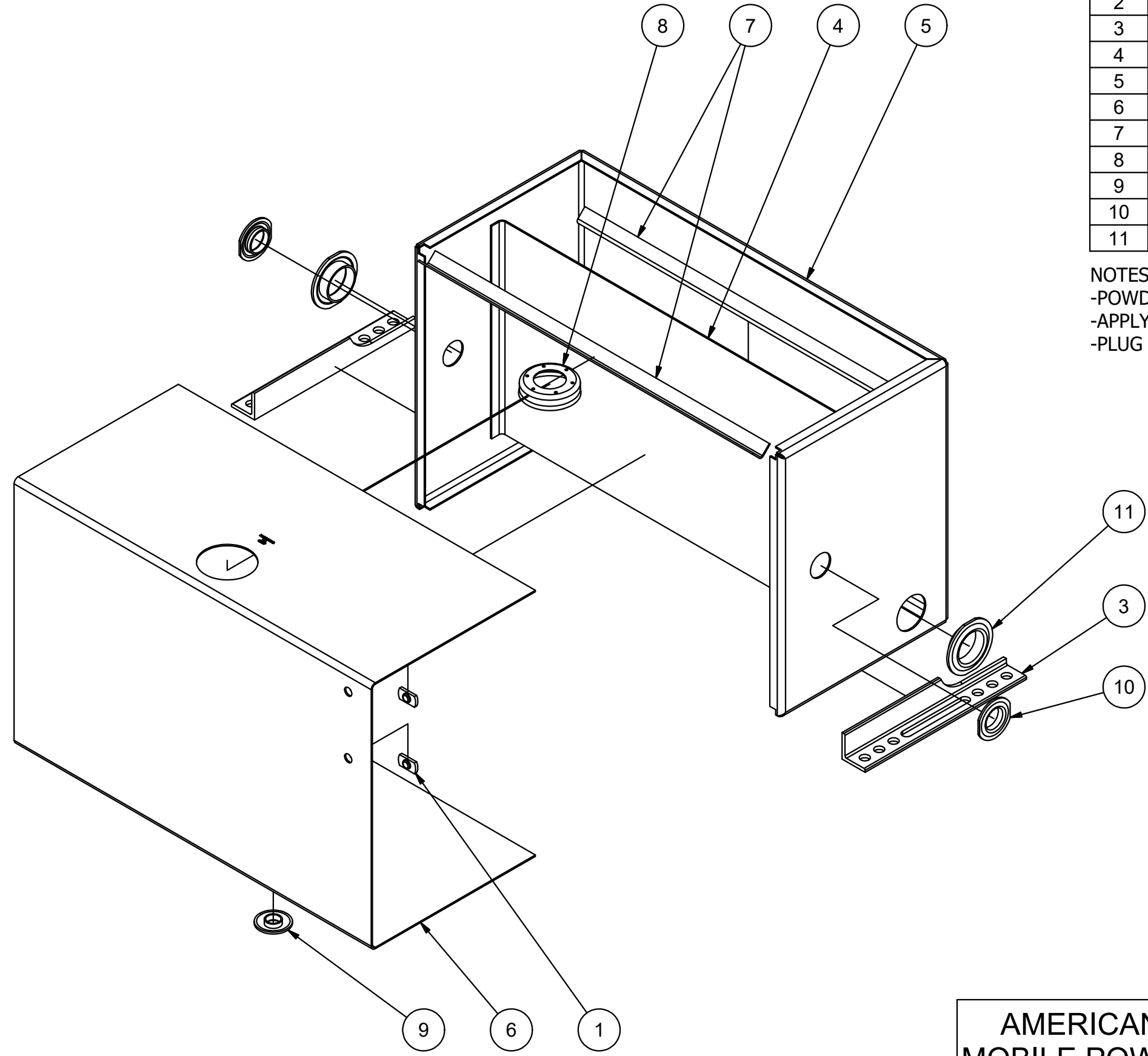
2

1

Parts List

ITEM	QTY	PART NUMBER	DESCRIPTION	Fab Qty
1	2	0500-13-FWN	1/2"-13 UNC WELD NUT	
2	1	A3400BEAL	2 X 2 X 1/4" MFG ANGLE	
3	1	A3400BEAR	2 X 2 X 1/4" MFG ANGLE ALT.	
4	1	A3400BF	12 GA HRPO BAFFLE	
5	1	A3400BS	12 GA HRPO SIDE-BACK-SIDE	
6	1	A3400FS	12 GA HRPO TOP-FRONT-BOTTOM	
7	2	A3400ST	12 GA HRPO STIFFENER	
8	1	AFS-301	13 GA HRPO Fill Ass'y Weld Flange	
9	1	SWF0750	3/4" NPTF STEEL WELD FLANGE	
10	2	SWF1250	1 1/4" NPSC STEEL WELD FLANGE	
11	2	SWF2000	2" NPSC STEEL WELD FLANGE	

NOTES:  
 -POWDER COAT BLACK  
 -APPLY RUST INHIBITOR INSIDE  
 -PLUG ALL PORTS FOR SHIPMENT



<b>AMERICAN MOBILE POWER</b> PH: (800) 634-8265 FAX: (765) 948-3403	DRAWING BY: <b>BPKNIGHT</b>	DESIGN FOR: <b>AMP</b>	FILE NAME: <b>A3400BE</b>	
	COMPLETED: <b>8/13/2012</b>		SHEET: <b>3 of 10</b>	SHEET SIZE: <b>B</b>

4

3

2

1