

Technical Information

CV

Check Valves

SH

Shuttle Valves

LM

Load/Motor Controls

FC

Flow Controls

PC

Pressure Controls

LE

Logic Elements

DC

Directional Controls

MV

Manual Valves

SV

Solenoid Valves

PV

Proportional Valves

CE

Coils & Electronics

BC

Bodies & Cavities

TD

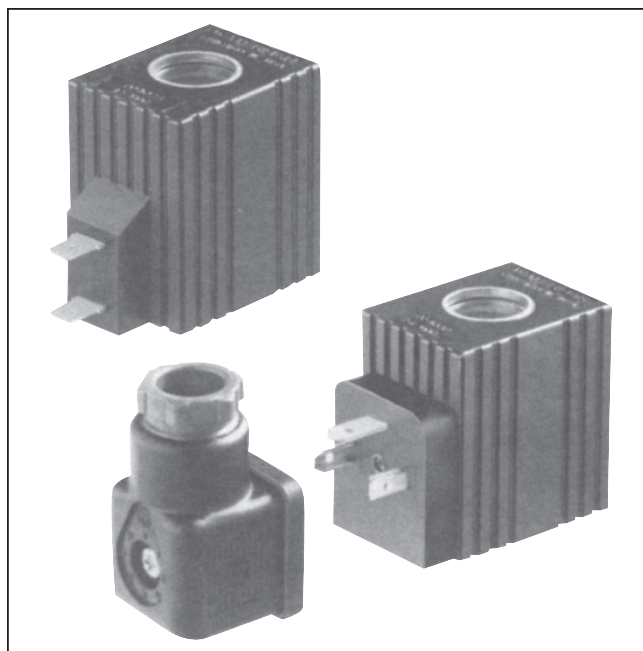
Technical Data

Features

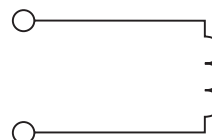
- Compact one piece encapsulated design
- Minimal amperage draw
- Numerous terminals and voltages
- High watt design optional
- Heavy gauge color coded lead wire with built-in strain relief
- 180°C Class H wire standard
- 200°C Class N wire on high watt models

Specifications

| | |
|--------------------------------|--|
| Wattage | 17 Watts — Standard - Black Coil 30 Watts — High Watt - Red Coil |
| Duty Rating | Continuous @ 100% voltage |
| Wire Class | Class H for all voltages 17 Watt Class N for all voltages 30 Watt |
| A.C. Rectifier | Integral full wave bridge |
| Lead Wire | 18 gauge 24" long, 600 volt rating |
| Lead Wire Strain Relief | 34 kg (75 lbs.) @ 21°C (70°F) & 18 kg (40 lbs.) @ 93°C (200°F) |
| Encapsulating Material | Glass filled nylon, resistant to moisture, caustic solutions, fungus, and temperatures from -40°C (-40°F) to 200°C (392°F) |

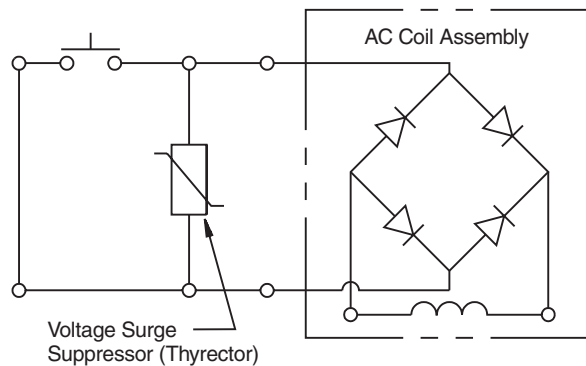


Symbol



AC Coil Assembly

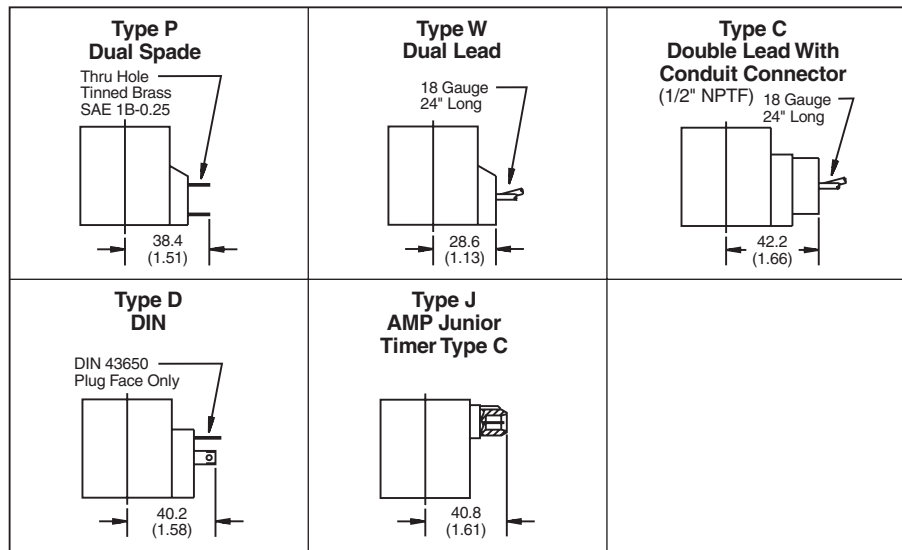
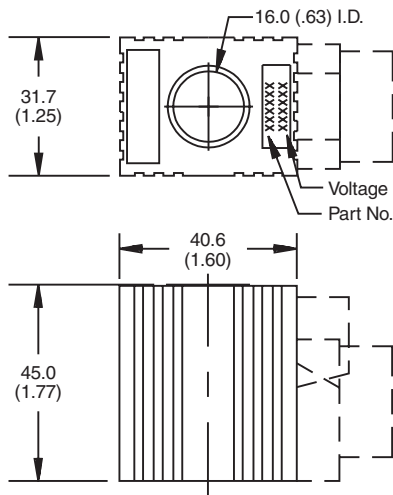
No inductive or capacitive loads can be installed between surge suppressor and rectified valves.



NOTE:

Parker A.C. Coils incorporate integrally molded full wave rectifiers which are rated for reverse voltage peaks of 1000 volts maximum. For voltage transients greater than 1000 volts P.I.V., Harris Thyrector V150LA10A or V150LA20A for 115 VAC and V250LA15A or V250LA40A for 200 VAC is recommended.

Terminal Styles and Dimensions



NOTES:

1. Coil to be installed with part number on nut side.
2. For additional terminals, voltages and wattages, consult factory for details.

Coil Part Numbers

| Voltage | Watts | Type P Double Spade | Type W Double Lead | Type C Conduit Connector | Type D DIN Plug Face | Amps* | Lead Wire Color |
|---------|-------|---------------------------|--------------------------|--------------------------------|----------------------------|-------|--------------------|
| 6 VDC | 17 | 851021-006 | 851023-006 | 851017-006 | 851019-006 | 2.43 | Black |
| | 30 | 851022-006 | 851024-006 | 851018-006 | 851020-006 | 4.84 | |
| 10 VDC | 17 | 851021-010 | 851023-010 | 851017-010 | 851019-010 | 1.58 | Yellow |
| | 30 | 851022-010 | 851024-010 | 851018-010 | 851020-010 | 3.28 | |
| 12 VDC | 17 | 851021-012 | 851023-012 | 851017-012 | 851019-012 | 1.44 | Red |
| | 30 | 851022-012 | 851024-012 | 851018-012 | 851020-012 | 2.30 | |
| 18 VDC | 17 | 851021-018 | 851023-018 | 851017-018 | 851019-018 | 0.94 | Gray |
| | 30 | 851022-018 | 851024-018 | 851018-018 | 851020-018 | 1.86 | |
| 24 VDC | 17 | 851021-024 | 851023-024 | 851017-024 | 851019-024 | 0.72 | Blue |
| | 30 | 851022-024 | 851024-024 | 851018-024 | 851020-024 | 1.20 | |
| 36 VDC | 17 | 851021-036 | 851023-036 | 851017-036 | 851019-036 | 0.43 | Orange |
| | 30 | 851022-036 | 851024-036 | 851018-036 | 851020-036 | 0.88 | |
| 48 VDC | 17 | 851021-048 | 851023-048 | 851017-048 | 851019-048 | 0.30 | Green |
| | 30 | 851022-048 | 851024-048 | 851018-048 | 851020-048 | 0.58 | |
| 120 VAC | 17 | | | 851017-120 | 851019-120 | 0.15 | Brown |
| | 30 | | | 851018-120 | 851020-120 | 0.24 | |
| 230 VAC | 17 | | | 851017-240 | 851019-240 | 0.08 | White |
| | 30 | | | 851018-240 | 851020-240 | 0.13 | |
| 440 VAC | 17 | | | 851017-480 | 851019-480 | 0.04 | Violet |
| | 30 | | | 851018-480 | 851020-480 | 0.07 | |

*Amperage draw @ 21°C (70°F)

- CV**
Check Valves
- SH**
Shuttle Valves
- LM**
Load/Motor Controls
- FC**
Flow Controls
- PC**
Pressure Controls
- LE**
Logic Elements
- DC**
Directional Controls
- MV**
Manual Valves
- SV**
Solenoid Valves
- PV**
Proportional Valves
- CE**
Coils & Electronics
- BC**
Bodies & Cavities
- TD**
Technical Data