



**Bulletin HY14-2716-M1/US
Service and Parts Bulletin**

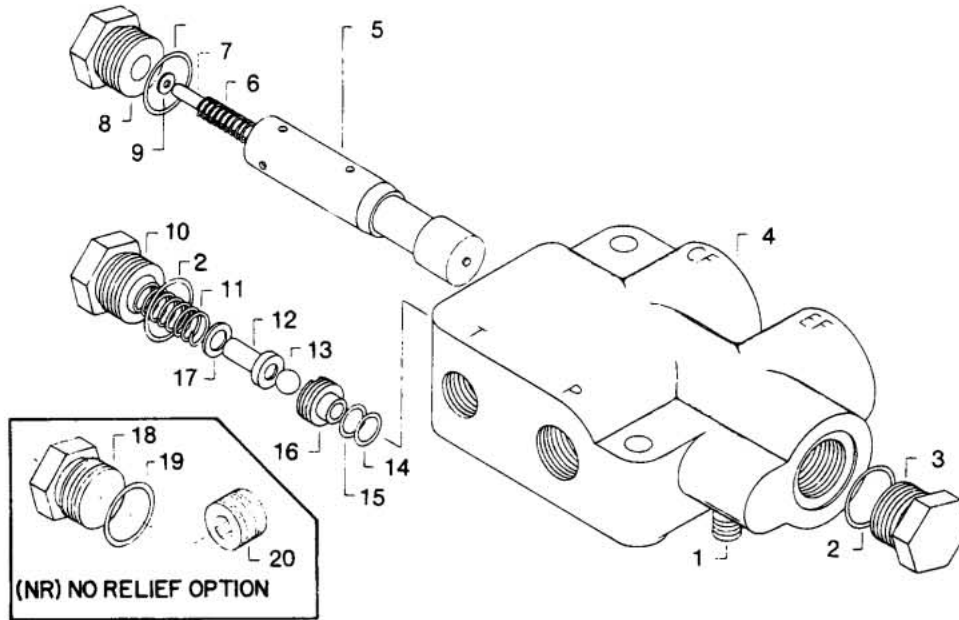
**Models
CFD and CFDA**

Effective: August 1, 2002
Supersedes: Cat. No. GSA-02 dated 3/97



**Flow Divider - CFD
Flow Control - CFDA**

Model "CFD" Flow Divider



PORTING KEY	
CF	= Controlled Flow
EF	= Excess Flow
P	= Pressurized Oil From Pump
T	= Relief Valve Return to Tank (From Constant Flow Side Only). Note: This port plugged on (NR) models.

"CFD" Flow Divider Park Listing

Item	Part No.	Description	Quantity Required
1	015-001	Plug	1
2	2707-001	O-ring seal	3
3	1458-001	Spool cap, Solid	1
4	1460-	Housing	1
5		Spool - see options below	1
	1447-001	1.5 GPM	
	1462-001	2 GPM	
	1463-001	3 GPM	
	1464-001	4 GPM	
	1465-001	5 GPM Controlled	
	1466-001	6 GPM Flow Gallonage	
	1467-001	7 GPM	
	1468-001	8 GPM	
	1469-001	9 GPM	
	1470-001	10 GPM	
6	1456-001	Spool Spring	1
7	1455-001	Spool Spring Guide	1
8	1459-001	Spool Cap, Hollow	1
9	1448-001	Spool Spring Shim	1

Item	Part No.	Description	Quantity Required
10	1449-001	Relief Cap	1
11	01869001	Relief Spring (0-1500 PSI)	1
	07078001	Relief Spring (1501-2500 PSI)	
12	1452-001	Spring Guide	1
13	401067	Relief Ball	1
14	2503-001	O-ring seal	1
15	1453-001	Backup Washer	1
16	1454-001	Relief Seat	1
17	458-001	Shim (.040 thick)	As reqd
	459-001	Shim (.020 thick)	As reqd
	462-001	Shim (.010 thick)	As reqd

OPTIONAL NR RELIEF

18	1458-001	Spool cap (Solid)	1
19	2707-001	O-ring Seal	1
20	400930	3/8" NPT Pipe Plug	1

WARNING

FAILURE OR IMPROPER SELECTION OR IMPROPER USE OF THE PRODUCTS AND/OR SYSTEMS DESCRIBED HEREIN OR RELATED ITEMS CAN CAUSE DEATH, PERSONAL INJURY AND PROPERTY DAMAGE.

This document and other information from Parker Hannifin Corporation, its subsidiaries and authorized distributors provide product and/or system options for further investigation by users having technical expertise. It is important that you analyze all aspects of your application and review the information concerning the product or system in the current product catalog. Due to the variety of operating conditions and applications for these products or systems, the user, through its own analysis and testing, is solely responsible for making the final selection of the products and systems and assuring that all performance, safety and warning requirements of the application are met.

The products described herein, including without limitation, product features, specifications, designs, availability and pricing, are subject to change by Parker Hannifin Corporation and its subsidiaries at any time without notice.

Offer of Sale

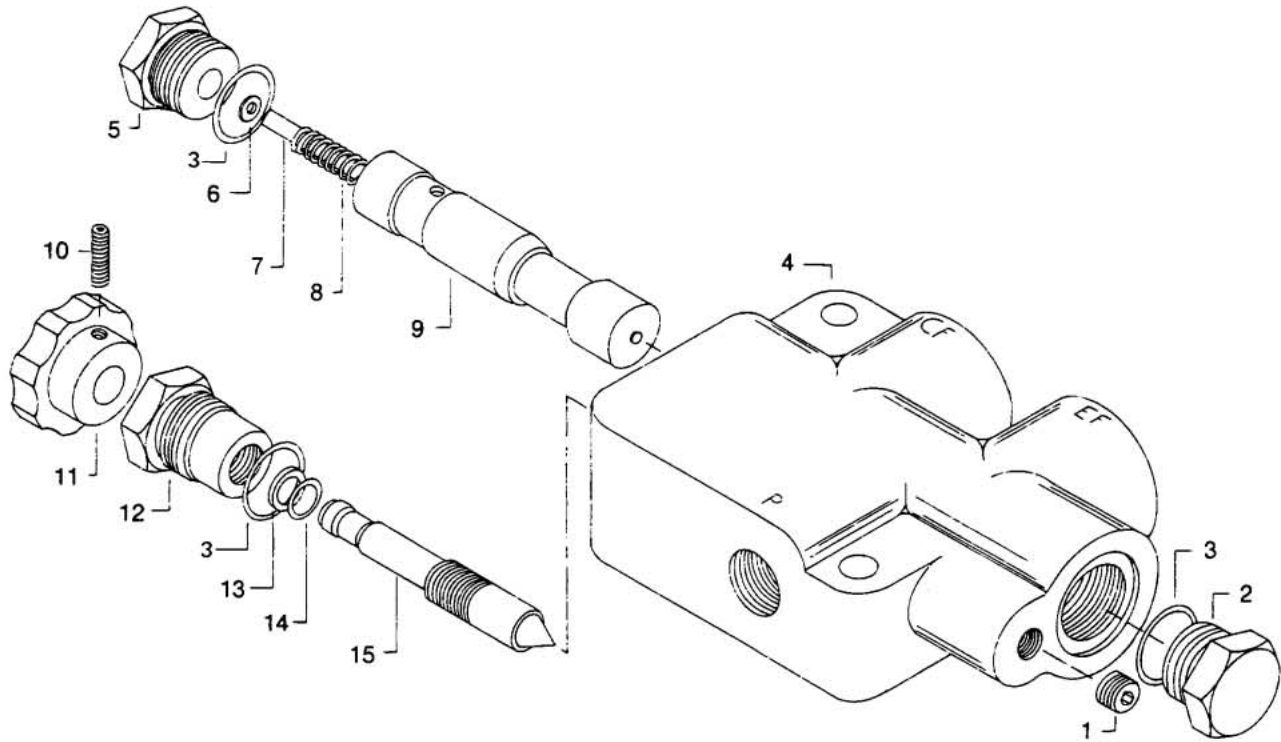
The items described in this document are hereby offered for sale by Parker Hannifin Corporation, its subsidiaries or its authorized distributors. This offer and its acceptance are governed by the provisions stated in the "Offer of Sale".

© Copyright 2002, Parker Hannifin Corporation, All Rights Reserved

bul2716-m1.p65, bl



Model "CFD-A" Adjustable Flow Control



Model "CFD-A" Adjustable Control Parts Listing

Item	Part No.	Description	No. Required
1	015-001	1/8" NPT Pipe Plug	1
2	1458-001	Spool Cap, Solid	1
3	2707-001	O-ring seal	3
4	1460-	Housing	1
5	1459-001	Spool Cap, Hollow	1
6	1448-001	Spring, Shim	as reqd
7	1455-001	Spring, Guide	1
8	1456-001	Spool Spring	1
9	3239-001	Spool	1
10	3235-001	Set screw	1
11	3236-001	Knob	1
12	3233-001	Plug	1
13	3238-001	Backup washer	1
14	3237-001	O-ring seal	1
15	3234-001	Needle	1

PORTING KEY

CF = Controlled Flow
 EF = Excess Flow
 P = Pressurized Oil From Pump

OPTIONAL ADJUSTING KNOB (Not shown)

Part No.	Description	Replaced	No. Reqd
3431-001	Roll pin	3235-001	1
3422-001	Knob	3226-001	1
3423-001	Locknut		1
3424-001	Needle	3234-001	1
3714-001	Decal		1



Parker Hannifin Corporation
Hydraulic Valve Division
520 Ternes Avenue
Elyria, Ohio, USA 44035
Tel: (440) 366-5200
Fax: (440) 366-5253
www.parker.com/hydraulicvalve

Bulletin HY14-2716-M1/US,
2C, 8/02, PHD