

VERTICAL GASKET INFORMATION

VERTICAL MOUNTING INFORMATION

Vertical Pump/Motor Adapters require a cutout to mount adapters vertically. See chart below for mounting/cutout information.

Vertical Adapters		
Motor Size	Adapter Style	Cutout Information
56C, 143TC, 145TC, 182/184UC	Style 1, 1A, 1B	Requires a 5.19 inch diameter hole with (4) .44 inch diameter holes equally spaced on 5.88 inch diameter B.C.
182/256TC 213/256UC	Style 6	Requires a 9.31 inch diameter hole with (4) .56 inch diameter holes equally spaced on 10.25 inch diameter B.C.
182/256TC 213/256UC	Style 7	Requires a 6.25 inch diameter hole with (4) .56 inch diameter holes equally spaced on 7.25 inch diameter B.C.
182/256TC 213/256UC	Vertical Mounting Adapter Ring 268299 on Horizontal Adapter (see information in chart below)	
284/286TC/TSC 284/286UC	None (Use Vertical Mounting Adapter Ring 268399) (see information in chart below)	
324/405TC/TSC 324/405UC/USC	None (Use Vertical Mounting Adapter Ring 268499) (see information in chart below)	
444/445TSC	Not Available	

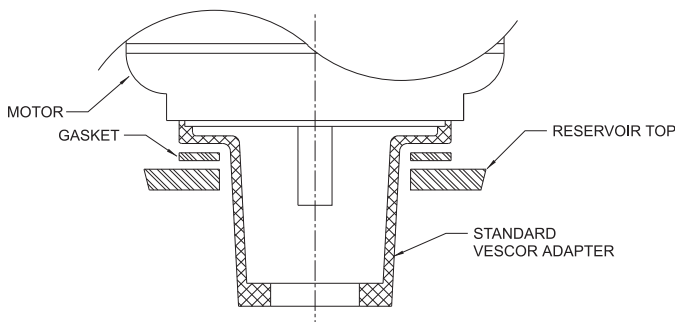
Vertical Rings		
Motor Size	Part Number	Cutout Information
182/256TC 213/256UC	268299	Requires a 9.12 inch diameter hole with (4) .56 inch diameter holes equally spaced on 10.25 inch diameter B.C.
284/286TC/TSC 284/286UC	268399	Requires a 11.12 inch diameter hole with (4) .56 inch diameter holes equally spaced on 12.50 inch diameter B.C.
324/405TC/TSC 324/405UC/USC	268499	Requires a 14.12 inch diameter hole with (4) .69 inch diameter holes equally spaced on 15.50 inch diameter B.C.

VERTICAL MOUNTING GASKETS

Vertical Mounting Gaskets are used with LDI Pump/Motor Adapters to seal adapter to reservoir top.

Standard Material:

- 0.09 inch thick cork neoprene



Vertical Mounting Gaskets		
Adapter Size	Adapter Style	Part No.
56C, 143TC, 145TC, 182/184UC	1 1A 1B	268599
182/256TC 213/256UC	6	268699
182/256TC 213/256UC	7	268799
182/256TC 213/256UC	Vertical Ring 268299	268699
284/286TC/TSC 284/286UC	Vertical Ring 268399	268899

Dimensions and specifications are subject to change without notice. Not all items are Made-To-Stock, contact us for availability.

02/14

Ph : 920-682-6877
Fx : 920-684-7210



sales@ldi-industries.com
www.ldi-industries.com