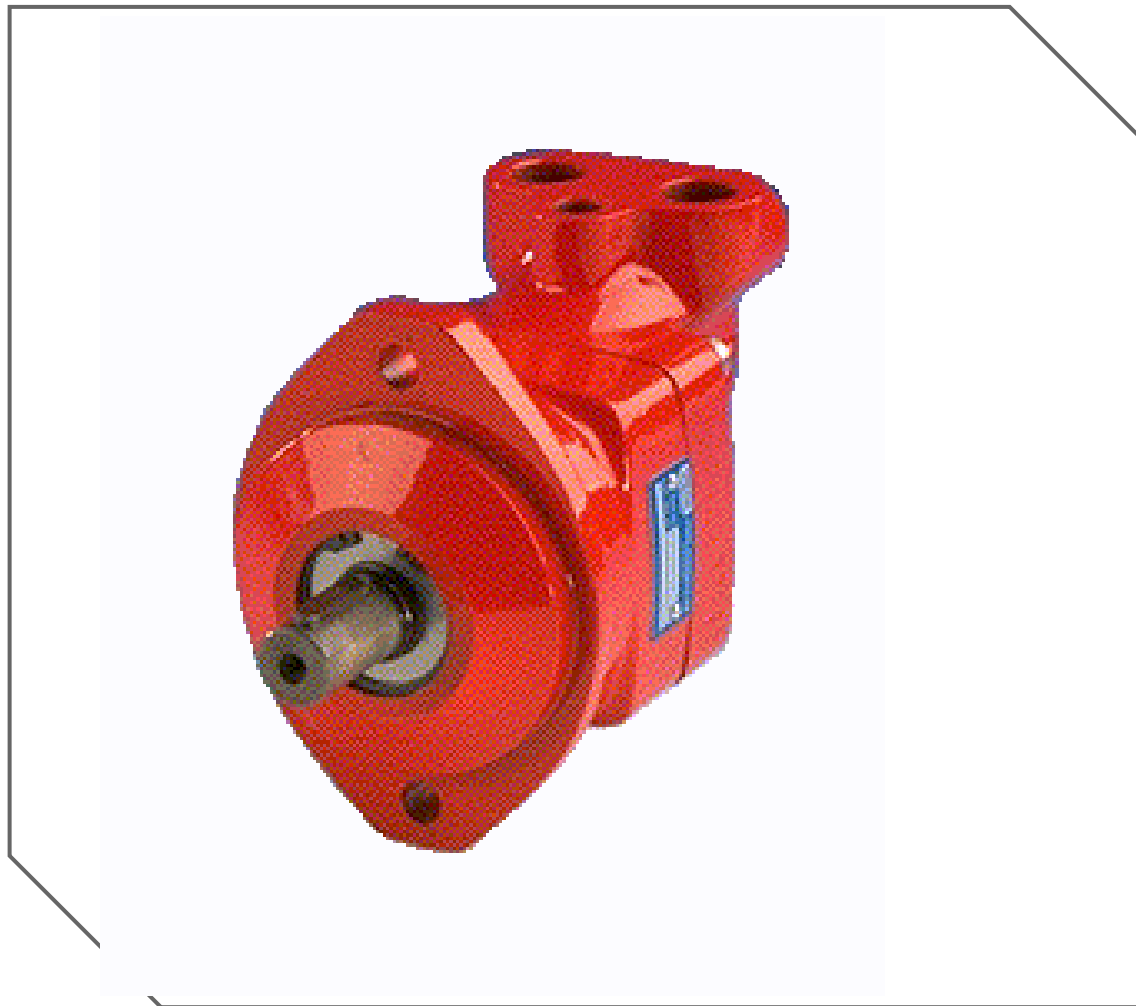
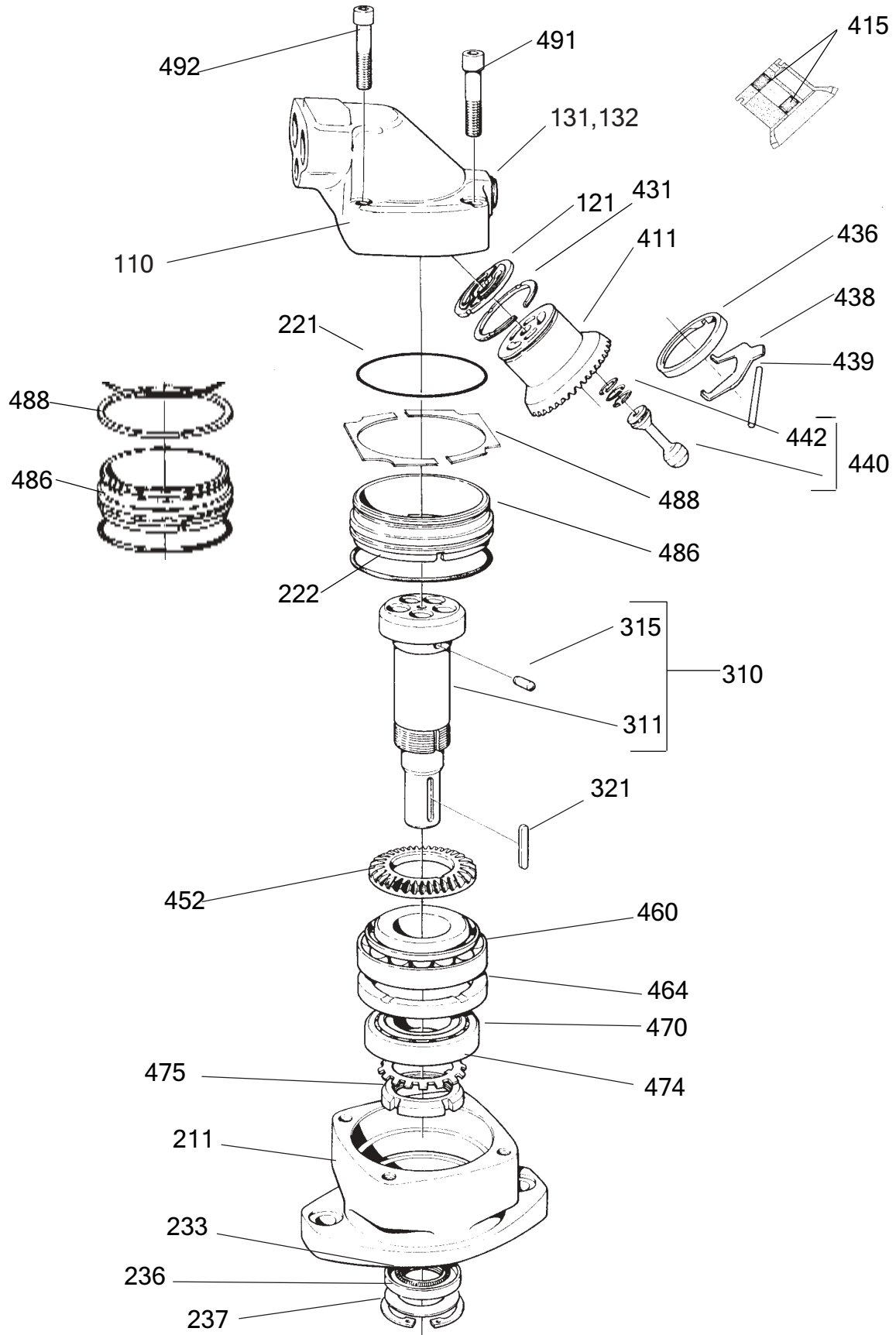




# Spare Parts Lists F11

---







Item	Part No	Title	Benämning	Qty	Remarks
110	3703007	Barrel Housing Assy	Övre hus kpl	1	Type B
110	3704304	Barrel Housing Assy	Övre hus kpl	1	Type U
121	3702390	Valve Plate	Ventilskiva	1	Type G
121	3707105	Valve Plate	Ventilskiva	1	Type H
121	3707157	Valve Plate	Ventilskiva	1	Type J
121	3703652	Valve Plate	Ventilskiva	1	Type L
121	3701897	Valve Plate	Ventilskiva	1	Type M
121	3703651	Valve Plate	Ventilskiva	1	Type Q
121	3703653	Valve Plate	Ventilskiva	1	Type R
131	944505	Hex Socket Plug	Insexpropp	1	For B
131	3707297	Hex Socket Plug	Insexpropp	1	For U
132	943907	Seal Washer	Tätbricka	1	For B
132	3707144	Seal Washer	Tätbricka	1	For U
211	3700520	Bearing Housing	Undre hus	1	Type C
237	914519	Retaining Ring	Spårring	1	
310	3796078	Shaft Assy	Axel, kpl	1	Type D Replaces 3703525
310	3796077	Shaft Assy	Axel, kpl	1	Type K Replaces 3701173
315	3794434	Pin	Styrtapp	1	
321	3796440	Flat Key	Plattkil	1	For K Replaces 909869
411	3702342	Cylinder Barrel	Cylindertrumma	1	
431	3700606	Barrel Retaining Ring	Fåstring	1	
440	3708656	Piston Assy	Kolv kpl	5	
442	3708651	Piston Ring	Kolvring	15	Laminated
442	72718	Piston Ring	Kolvring	5	Spherical Not available
452	3795831	Ring Gear	Kuggkrans	1	Replaces 3700596
460	118206	Tap Rol Bearing	Kon rullager	1	
464	3700516	Spacer Ring	Distansring	1	
470	118017	Tap Rol Bearing	Kon rullager	1	
474	907023	Lock Washer	Låsbricka	1	
475	906633	Round Nut	Rundmutter	1	
486	3700518	Guide Spacer	Styrhylsa	1	Not available
486	3797258	Guide Spacer	Styrhylsa	1	New type
488	3700523	Shim	Justerbricka	2	1.25
488	3700524	Shim	Justerbricka	2	1.375
488	3700525	Shim	Justerbricka	2	1.50
488	3700526	Shim	Justerbricka	2	1.625
488	3700527	Shim	Justerbricka	2	1.75
488	3700528	Shim	Justerbricka	2	1.875
488	3700529	Shim	Justerbricka	2	2.00
488	3797401	Shim	Justerbricka	2	0.4 New type
488	3797402	Shim	Justerbricka	2	0.5 " "
488	3797403	Shim	Justerbricka	2	0.6 " "
488	3797404	Shim	Justerbricka	2	0.7 " "
491	959224	Hex Socket Screw	Insexskruv	2	
492	959231	Hex Socket Screw	Insexskruv	2	

Ref.  
SI 95-03

Item	Part No	Title	Benämning	Qty	Remarks
110	3703010	Barrel Housing Assy	Övre hus kpl	1	Type B
110	3704105	Barrel Housing Assy	Övre hus kpl	1	Type U
121	3702392	Valve Plate	Ventilskiva	1	Type G
121	3707104	Valve Plate	Ventilskiva	1	Type H
121	3707158	Valve Plate	Ventilskiva	1	Type J
					Replaces 3703592
121	3703590	Valve Plate	Ventilskiva	1	Type L
121	3701895	Valve Plate	Ventilskiva	1	Type M
121	3703589	Valve Plate	Ventilskiva	1	Type Q
121	3703591	Valve Plate	Ventilskiva	1	Type R
131	3707297	Hex Socket Plug	Insexpropp	1	For U
131	944506	Hex Socket Plug	Insexpropp	1	For B
132	944496	Seal Washer	Tätbricka	1	For B
132	3707144	Seal Washer	Tätbricka	1	For U
211	3700905	Bearing Housing	Undre hus	1	Type C
237	914519	Retaining Ring	Spårring	1	
310	3796083	Shaft Assy	Axel kpl	1	Type D Replaces 3703526
310	3796080	Shaft Assy	Axel kpl	1	Type K Replaces 72951
310	3796081	Shaft Assy	Axel kpl	1	Type X-106 Replaces 3700927
315	3792207	Pin	Styrtapp	1	
321	3796439	Flat Key	Plattkil	1	For K Replaces 909871
321	906707	Flat Key	Plattkil	1	For X-106
411	3702958	Cylinder Barrel	Cylindertrumma	1	
431	3700973	Barrel Retaining Ring	Fåstring	1	
440	3708657	Piston Assy	Kolv kpl	5	
442	3708652	Piston Ring	Kolvring	15	Laminated
442	72747	Piston Ring	Kolvring	5	Spherical Not available
452	3795832	Ring Gear	Kuggkrans	1	Replaces 3700598
460	3798537	Tap Rol Bearing	Kon rullager	1	Replaces 0118024
464	3700954	Spacer Ring	Distansring	1	
470	118201	Tap Rol Bearing	Kon rullager	1	30206
474	907024	Lock Washer	Låsbricka	1	
475	906634	Round Nut	Rundmutter	1	
486	3700947	Guide Spacer	Styrhylsa	1	Not available
486	3797259	Guide Spacer	Styrhylsa	1	New type
488	3700975	Shim	Justerbricka	2	2,25
488	3700976	Shim	Justerbricka	2	2,375
488	3700977	Shim	Justerbricka	2	2,50
488	3700978	Shim	Justerbricka	2	2,625
488	3700979	Shim	Justerbricka	2	2,75
488	3700980	Shim	Justerbricka	2	2,875
488	3700981	Shim	Justerbricka	2	3,00
488	3797411	Shim	Justerbricka	2	0.4 New type
488	3797412	Shim	Justerbricka	2	0.5 " "
488	3797413	Shim	Justerbricka	2	0.6 " "
488	3797414	Shim	Justerbricka	2	0.7 " "
491	959241	Hex Socket Screw	Insexskruv	2	
491	959249	Hex Socket Screw	Insexskruv	2	



# Spare Parts

F11-14 all types

Tab: **F11**

SP012\_2-0405

Item	Part No	Title	Benämning	Qty	Remarks
110	3783214	Barrel Housing Assy	Övre hus kpl	1	Type B BSP thread
110	3783280	Barrel Housing Assy	Övre hus kpl	1	Type F Metric thread
110	3783196	Barrel Housing Assy	Övre hus kpl	1	Type L Anti-cav Left
110	3783195	Barrel Housing Assy	Övre hus kpl	1	Type R Anti-cav Right
110	3783279	Barrel Housing Assy	Övre hus kpl	1	Type U SAE
121	3782850	Valve Plate	Ventilskiva	1	Type H
121	3783095	Valve Plate	Ventilskiva	1	Type L Pump
121	3783094	Valve Plate	Ventilskiva	1	Type R Pump
131	944506	Hexagon Plug	Insexpropp	1	
132	944496	Seal Washer	Tätbricka	1	
211	3783240	Bearing Housing	Lager hus	1	Type C Cetop
211	3783222	Bearing Housing	Lager hus	1	Type I ISO
211	3783223	Bearing Housing	Lager hus	1	Type S SAE
237	3783253	Retaining Ring	Spärring	1	
310	3782825	Shaft Assy	Axel kpl	1	Type K ISO
310	3783199	Shaft Assy	Axel kpl	1	Type D ISO
310	3783281	Shaft Assy	Axel kpl	1	Type S SAE
310	3783282	Shaft Assy	Axel kpl	1	Type T SAE
411	3782829	Cylinder Barrel	Cylindertrumma	1	
431	3782984	Barrel Retaining Ring	Fästring	1	
440	3782828	Piston Assy	Kolv kpl	5	
452	3795832	Ring Gear	Kuggkrans	1	
460	3798537	Tap Rol Bearing	Kon rullager	1	
464	3700954	Spacer Ring	Distansring	1	
470	118201	Tap Rol Bearing	Kon rullager	1	
474	907024	Lock Washer	Låsbricka	1	
475	906634	Round Nut	Rundmutter	1	
486	3783044	Guide Spacer	Styrhylsa	1	
488	3797411	Shim	Justerbricka	2	0.4
488	3797412	Shim	Justerbricka	2	0.5
488	3797413	Shim	Justerbricka	2	0.6
488	3797414	Shim	Justerbricka	2	0.7
488	3797415	Shim	Justerbricka	2	0.8
491	959241	Hex Socket Screw	Insexskruv	2	
492	959249	Hex Socket Screw	Insexskruv	2	



# Spare Parts

F11-19 all types from serial No. 118001 and up.

# ASM 2.1

Tab: **F11**

Page 4

SP013-0342

Item	Part No	Title	Benämning	Qty	Remarks
110	3706487	Barrel Housing Assy	Övre hus kpl	1	Type B
110	3703438	Barrel Housing Assy	Övre hus kpl	1	Type U
121	3701852	Valve Plate	Ventilskiva	1	Type G
121	3706330	Valve Plate	Ventilskiva	1	Type H
121	3707159	Valve Plate	Ventilskiva	1	Type J
121	3703440	Valve Plate	Ventilskiva	1	Type L
121	72846	Valve Plate	Ventilskiva	1	Type M
121	3703439	Valve Plate	Ventilskiva	1	Type Q
121	3703441	Valve Plate	Ventilskiva	1	Type R
131	944506	Hex Socket Plug	Insexpropp	1	For B
131	3707297	Hex Socket Plug	Insexpropp	1	For U
132	944496	Seal Washer	Tätbricka	1	For B
132	3707144	Seal Washer	Tätbricka	1	For U
211	72834	Bearing Housing	Undre hus	1	Type C
211	3700237	Bearing Housing	Undre hus	1	Type S
237	914529	Retaining Ring	Spärring	1	
310	3796091	Shaft Assy	Axel kpl	1	Type D Replaces 3703429
310	3796087	Shaft Assy	Axel kpl	1	Type K Replaces 72952
310	3796092	Shaft Assy	Axel kpl	1	Type S Replaces 3703723
310	3796089	Shaft Assy	Axel kpl	1	Type
315	3792207	Guide Pin	Styrtapp	1	6x11
321	909305	Flat Key	Plattkil	1	For K
321	118225	Flat Key	Plattkil	1	For T
411	3702959	Cylinder Barrel	Cylindertrumma	1	
431	72686	Barrel Retaining Ring	Fåstring	1	
440	3708658	Piston Assy	Kolv kpl	5	
442	3705969	Piston Ring	Kolvring	15	Laminated
442	72517	Piston Ring	Kolvring	5	Spherical Not available
452	3795833	Ring Gear	Kuggkrans	1	
460	3797156	Tap Rol Bearing	Kon rullager	1	31308
464	73384	Spacer Ring	Distansring	1	
470	118202	Tap Rol Bearing	Kon rullager	1	30208
474	907026	Lock Washer	Låsbricka	2	
475	906636	Round Nut	Rundmutter	1	
486	72807	Guide Spacer	Styrhylsa	1	
486	3797260	Guide Spacer	Styrhylsa	1	New type
488	72811	Shim	Justerbricka	2	2.25
488	72812	Shim	Justerbricka	2	2.375
488	72813	Shim	Justerbricka	2	2.5
488	72814	Shim	Justerbricka	2	2.625 Ref.
488	72815	Shim	Justerbricka	2	2.75
488	72816	Shim	Justerbricka	2	2.875 SI 95-03
488	72817	Shim	Justerbricka	2	3.0
488	3797421	Shim	Justerbricka	2	0.4 New type
488	3797422	Shim	Justerbricka	2	0.5 " "
488	3797423	Shim	Justerbricka	2	0.6 " "
488	3797424	Shim	Justerbricka	2	0.7 " "
491	959243	Hex Socket Screw	Insexskruv	4	



# Spare Parts

F11-28 all types from serial No. 100001 and up.

ASM 2.1

Tab: F11

Page 5

SP 014-0342

Item	Part No	Title	Benämning	Qty	Remarks
110	3702929	Barrel Housing Assy	Övre hus kpl	1	Type B
110	3703953	Barrel Housing Assy	Övre hus kpl	1	Type U
121	3705233	Valve Plate	Ventilskiva	1	Type G
121	3706318	Valve Plate	Ventilskiva	1	Type H
121	3707160	Valve Plate	Ventilskiva	1	Type J
121	3703697	Valve Plate	Ventilskiva	1	Type L
121	3704635	Valve Plate	Ventilskiva	1	Type M
121	3702933	Valve Plate	Ventilskiva	1	Type Q
121	3703701	Valve Plate	Ventilskiva	1	Type R
131	944506	Hex Socket Plug	Insexpropp	1	For B
131	3707297	Hex Socket Plug	Insexpropp	1	For U
132	944496	Seal Washer	Tätbricka	1	For B
132	3707144	Seal Washer	Tätbricka	1	For U
211	3703716	Bearing Housing	Undre hus	1	Type C
211	3702827	Bearing Housing	Undre hus	1	Type S
237	914533	Retaining Ring	Spårring	1	
310	3796099	Shaft Assy	Axel kpl	1	Type D Replaces 3703527
310	3796095	Shaft Assy	Axel kpl	1	Type K Replaces 3702939
310	3796097	Shaft Assy	Axel kpl	1	Type S Replaces 3703235
310	3796100	Shaft Assy	Axel kpl	1	Type T Replaces 3703955
315	3709162	Pin	Styrtapp	1	
321	909305	Flat Key	Plattkil	1	For K
321	118225	Flat Key	Plattkil	1	For T
411	3702935	Cylinder Barrel	Cylindertrumma	1	
436	3702943	Bearing Ring	Lagerring	1	
438	3702944	Leaf Spring	Bladfjäder	1	
439	3702945	Pivot Pin	Stödpinne	1	
440	3706403	Piston Assy	Kolv kpl	5	
442	3795377	Piston Ring	Kolvring	15	Laminated
442	3702925	Piston Ring	Kolvring	5	Spherical Not available
452	3702937	Ring Gear	Kuggkrans	1	
460	3798865	Tap Roll Bearing	Kon rullager	1	31309
464	3702942	Spacer Ring	Distansring	1	
470	118770	Tap Roll Bearing	Kon rullager	1	
474	907027	Lock Washer	Låsbricka	1	
475	906637	Round Nut	Rundmutter	1	
486	3702923	Guide Spacer	Styrhylsa	1	
486	3797261	Guide Spacer	Styrhylsa	1	New type
488	3702947	Shim	Justerbricka	2	2.25
488	3702948	Shim	Justerbricka	2	2.375
488	3702949	Shim	Justerbricka	2	2.5
488	3702950	Shim	Justerbricka	2	2.625 Ref.
488	3702951	Shim	Justerbricka	2	2.75
488	3702952	Shim	Justerbricka	2	2.875 SI 95-03
488	3702953	Shim	Justerbricka	2	3.0
488	3797431	Shim	Justerbricka	2	0.4 New type
488	3797432	Shim	Justerbricka	2	0.5 New type
488	3797433	Shim	Justerbricka	2	0.6 " "
488	3797434	Shim	Justerbricka	2	0.7 " "
491	969169	Hex Socket Screw	Insexskruv	4	





# Spare Parts

F11-39 all types from serial No. 127001 and up.

# ASM 2.1

Tab: **F11**

Page 6

SP 015-0342

Item	Part No	Title	Benämning	Qty	Remarks	
110	3703238	Barrel Housing Assy	Övre Hus kpl		Type B	
110	3703298	Barrel Housing Assy	Övre Hus kpl		Type U	
121	3702016	Valve Plate	Ventilskiva	1	Type G	
121	3706252	Valve Plate	Ventilskiva	1	Type H	
121	3707161	Valve Plate	Ventilskiva	1	Type J	
121	3703294	Valve Plate	Ventilskiva	1	Type L	
121	72847	Valve Plate	Ventilskiva	1	Type M	
121	3703239	Valve Plate	Ventilskiva	1	Type Q	
121	3703295	Valve Plate	Ventilskiva	1	Type R	
131	944507	Hex. Socket Plug	Insexpropp	1	For B-Housing	
131	3707298	Hex. Socket Plug	Insexpropp	1	For U-Housing	
132	943908	Seal Washer	Tätbricka	1	For B-Housing	
132	3708288	Seal Washer	Tätbricka	1	For U-Housing	
211	72835	Bearing Housing	Undre Hus	1	Type C	
211	3700235	Bearing Housing	Undre Hus	1	Type S	
211	3700708	Bearing Housing	Undre Hus	1	Type Z	
237	914534	Retaining Ring	Spärring	1		
310	3796112	Shaft Assy	Axel kpl	1	Type D Replaces 3703126	
310	3796106	Shaft Assy	Axel kpl	1	Type K Replaces 72953	
310	3796108	Shaft Assy	Axel kpl	1	Type S Replaces 3700406	
310	3796109	Shaft Assy	Axel kpl	1	Type T Replaces 3700420	
315	3709162	Pin	Styrtapp	1		
311	3701579	Shaft	Axel	1	Type Z	
321	909323	Flat Key	Plattkil	1	For K	
321	118226	Flat Key	Plattkil	1	For T	
411	3702043	Cylinder Barrel	Cylindertrumma	1		
431	72687	Barrel Retaining Ring	Fästring	1		
440	3706398	Piston Assy	Kolv kpl	5		
442	3705784	Piston Ring	Kolvring	15	Laminated	
442	72546	Piston Ring	Kolvring	5	Spherical Not available	
452	3795528	Ring Gear	Kuggkrans	1	Replaces 3700631	
460	118026	Tap. Roller Bearing	Kon. rullager	1	31311	
464	73386	Spacer Ring	Distansring	1		
470	118203	Tap. Roller Bearing	Kon. rullager	1	30211	
474	907029	Lock Washer	Låsbricka	2		
475	906639	Round Nut	Rundmutter	1		
486	72808	Guide Spacer	Styrhylsa	1		
486	3797262	Guide Spacer	Styrhylsa	1	New type	
488	72819	Shim	Justerbricka	2	2.25	
488	72820	Shim	Justerbricka	2	2.375	
488	72821	Shim	Justerbricka	2	2.50	
488	72822	Shim	Justerbricka	2	2.625	
488	72823	Shim	Justerbricka	2	2.75	Ref.
488	72824	Shim	Justerbricka	2	2.875	
488	72825	Shim	Justerbricka	2	3.00	SI 95-03
488	3797441	Shim	Justerbricka	2	0.4 New type	
488	3797442	Shim	Justerbricka	2	0.5 "	
488	3797443	Shim	Justerbricka	2	0.6 New type	
488	3797444	Shim	Justerbricka	2	0.7 "	
491	969223	Hex. Socket Screw	Insexskruv	4		





# Spare Parts

F11-58 all types from serial No. 111001 and up.

ASM 2.1

Tab: F11

Page 7

SP 016-0342

Item	Part No	Title	Benämning	Qty	Remarks
110	3703199	Barrel Housing Assy	Övre hus kpl	1	Type B
110	3703227	Barrel Housing Assy	Övre hus kpl	1	Type U
121	3702033	Valve Plate	Ventilskiva	1	Type G
121	3706331	Valve Plate	Ventilskiva	1	Type H
121	3707162	Valve Plate	Ventilskiva	1	Type J
121	3703285	Valve Plate	Ventilskiva	1	Type L
121	3701893	Valve Plate	Ventilskiva	1	Type M
121	3703241	Valve Plate	Ventilskiva	1	Type Q
121	3703286	Valve Plate	Ventilskiva	1	Type R
131	944507	Hex Socket Plug	Insexpropp	1	For B
131	3707298	Hex Socket Plug	Insexpropp	1	For U
132	943908	Seal Washer	Tätbricka	1	For B
132	3708288	Seal Washer	Tätbricka	1	For U
211	72835	Bearing Housing	Undre hus	1	Type C
211	3700235	Bearing Housing	Undre hus	1	Type S
211	3700708	Bearing Housing	Undre hus	1	Type Z
237	914534	Retaining Ring	Spårring	1	
310	3796125	Shaft Assy	Axel kpl	1	Type D Replaces 3703128
310	3796119	Shaft Assy	Axel kpl	1	Type K Replaces 3700674
310	3796123	Shaft Assy	Axel kpl	1	Type S Replaces 3701084
310	3796122	Shaft Assy	Axel kpl	1	Type T Replaces 3701081
310	3796134	Shaft Assy	Axel kpl	1	Type X, Replaces 3709685
310	3799397	Shaft Assy	Axel kpl	1	Type E
310	3796840	Shaft Assy	Axel kpl	1	Type Z Replaces 3700745
315	3709308	Pin	Styrtapp	1	
321	909323	Flat Key	Plattkil	1	For K
321	118226	Flat Key	Plattkil	1	For T
411	3702044	Cylinder Barrel	Cylindertrumma	1	
436	3700714	Bearing Ring	Lagerring	1	
438	3703448	Leaf Spring	Bladfjäder	1	
439	3700741	Pivot Pin	Stödpinne	1	
440	3708443	Piston Assy	Kolv kpl	5	
442	3705975	Piston Ring	Kolvring	15	Laminated
442	3700219	Piston Ring	Kolvring	5	Spherical Not available
452	3795529	Ring Gear	Kuggkrans	1	Replaces 3700633
460	118026	Tap Rol Bearing	Kon rullager	1	31311
464	73386	Spacer Ring	Distansring	1	
470	118203	Tap Rol Bearing	Kon rullager	1	30211
474	907029	Lock Washer	Låsbricka	2	
475	906639	Round Nut	Rundmutter	1	
486	3701002	Guide Spacer	Styrhylsa	1	
486	3797272	Guide Spacer	Styrhylsa	1	New type
488	3700772	Shim	Justerbricka	2	2.25
488	3700773	Shim	Justerbricka	2	2.375
488	3700774	Shim	Justerbricka	2	2.50
488	3700775	Shim	Justerbricka	2	2.625 Ref.
488	3700776	Shim	Justerbricka	2	2.75
488	3700777	Shim	Justerbricka	2	2.875 SI 95-03
488	3700778	Shim	Justerbricka	2	3.00
488	3700779	Shim	Justerbricka	2	3.125
488	3797451	Shim	Justerbricka	2	0.4 New Type
488	3797452	Shim	Justerbricka	2	0.5 "
488	3797453	Shim	Justerbricka	2	0.6 " "
488	3797454	Shim	Justerbricka	2	0.7 New Type
491	969224	Hex Socket Screw	Insexskruv	2	
492	969281	Hex Socket Screw	Insexskruv	2	



# Spare Parts

F11-78 all types from serial No. 121001 and up.

ASM 2.1

Tab: F11

Page 8

SP 017-0342

Item	Part No	Title	Benämning	Qty	Remarks
110	3703534	Barrel Housing Assy	Övre hus kpl	1	Type B
110	3703179	Barrel Housing Assy	Övre hus kpl	1	Type F
121	3702034	Valve Plate	Ventilskiva	1	Type G
121	3706332	Valve Plate	Ventilskiva	1	Type H
121	3707163	Valve Plate	Ventilskiva	1	Type J
121	3703536	Valve Plate	Ventilskiva	1	Type L
121	72848	Valve Plate	Ventilskiva	1	Type M
121	3703535	Valve Plate	Ventilskiva	1	Type Q
121	3703537	Valve Plate	Ventilskiva	1	Type R
131	944508	Hex Socket Plug	Insexpropp	1	
132	944252	Seal Washer	Tätbricka	1	
211	72836	Bearing Housing	Undre hus	1	Type C
211	3700240	Bearing Housing	Undre hus	1	Type S
237	914537	Retaining Ring	Spårring	1	
310	3796141	Shaft Assy	Axel kpl	1	Type D Replaces 3702821
310	3796135	Shaft Assy	Axel kpl	1	Type K Replaces 72954
310	3796136	Shaft Assy	Axel kpl	1	Type S Replaces 3700376
310	3796137	Shaft Assy	Axel kpl	1	Type T Replaces 3700424
315	3709308	Pin	Styrtapp	1	
321	909358	Flat Key	Plattkil	1	For K
321	118227	Flat Key	Plattkil	1	For T
411	3702045	Cylinder Barrel	Cylindertrumma	1	
431	72688	Barrel Retaining Ring	Fåstring	1	
440	3706399	Piston Assy	Kolv kpl	5	
442	3705764	Piston Ring	Kolvring	15	Laminated
442	72578	Piston Ring	Kolvring	5	Spherical Not available
452	3795530	Ring Gear	Kuggkrans	1	Replaces 3700935
460	118027	Tap Rol Bearing	Kon rullager	1	31313
464	73388	Spacer Ring	Distansring	1	
470	118204	Tap Rol Bearing	Kon rullager	1	30213
474	907031	Lock Washer	Låsbricka	2	
475	906641	Round Nut	Rundmutter	1	
486	72809	Guide Spacer	Styrhylsa	1	
488	72827	Shim	Justerbricka	2	2.25
488	72828	Shim	Justerbricka	2	2.375
488	72829	Shim	Justerbricka	2	2.5
488	72830	Shim	Justerbricka	2	2.625
488	72831	Shim	Justerbricka	2	2.75
488	72832	Shim	Justerbricka	2	2.875
488	72833	Shim	Justerbricka	2	3.0
491	959283	Hex Socket Screw	Insexskruv	4	



# Spare Parts

F11-110 all types from serial No. 104001 and up.

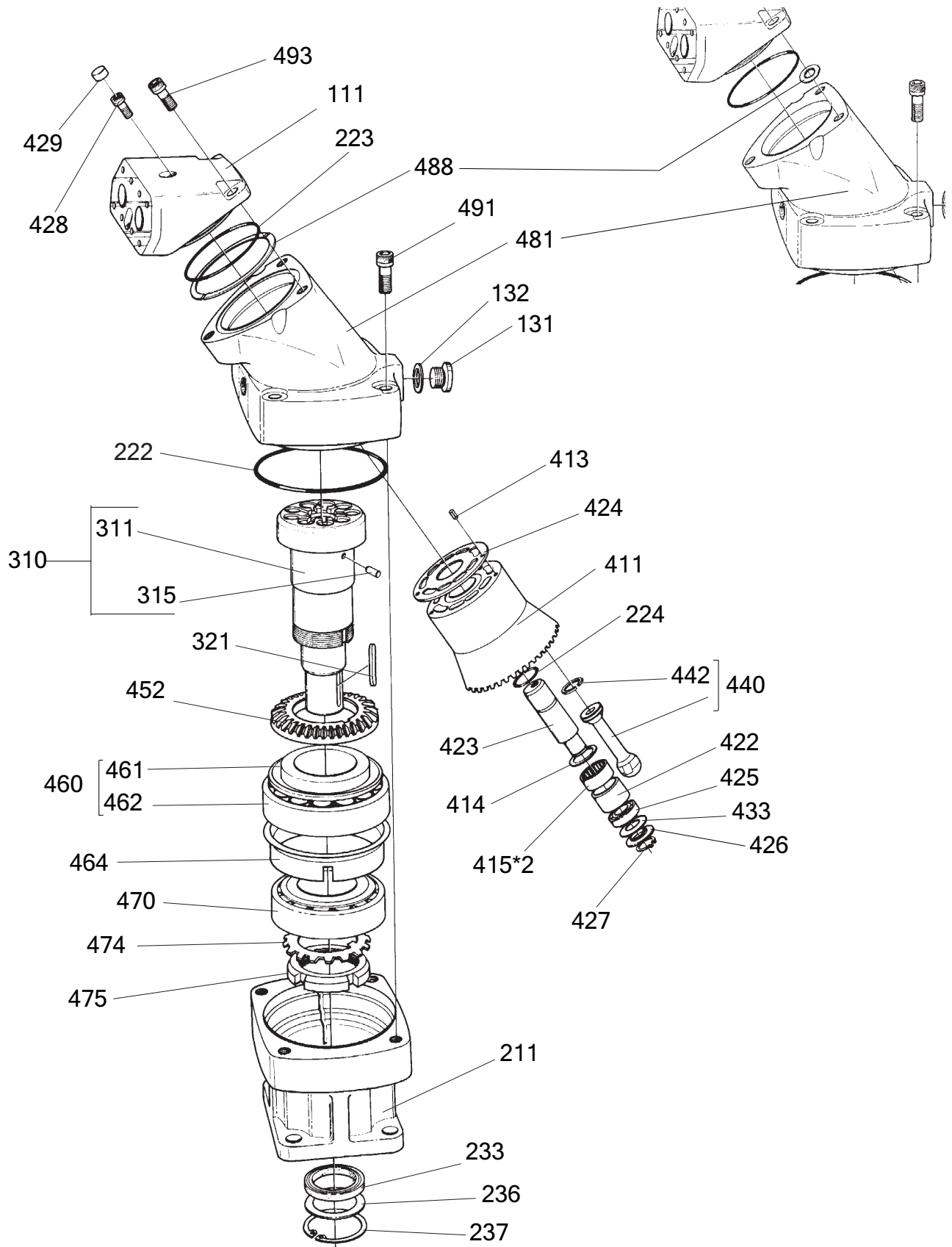
ASM 2.1.

Tab: **F11**  
Page 9

SP 018-0342

Pos	Part No	Title	Benämning	Qty	Remarks
110	3704018	Barrel Housing Assy	Övre hus kpl	1	Type B
110	3703169	Barrel Housing Assy	Övre hus kpl	1	Type F
121	3702382	Valve Plate	Ventilskiva	1	Type G
121	3706283	Valve Plate	Ventilskiva	1	Type H
121	3707164	Valve Plate	Ventilskiva	1	Type J
121	3703680	Valve Plate	Ventilskiva	1	Type L
121	3708069	Valve Plate	Ventilskiva	1	Type L+H
121	3700210	Valve Plate	Ventilskiva	1	Type M
121	3703679	Valve Plate	Ventilskiva	1	Type Q
121	3703681	Valve Plate	Ventilskiva	1	Type R
121	3708068	Valve Plate	Ventilskiva	1	Type R+H
131	944508	Hex Socket Plug	Insexpropp	1	
132	944252	Seal Washer	Tätbricka	1	
211	3700204	Bearing Housing	Undre hus	1	Type C
211	3701076	Bearing Housing	Undre hus	1	Type S
237	914537	Retaining Ring	Spårring	1	
310	3796150	Shaft Assy	Axel kpl	1	Type D Replaces 3702993
310	3796145	Shaft Assy	Axel kpl	1	Type K Replaces 3700208
310	3796146	Shaft Assy	Axel kpl	1	Type S Replaces 3701110
310	3796147	Shaft Assy	Axel kpl	1	Type T Replaces 3701113
315	3794556	Pin	Styrtapp	1	
321	909358	Flat Key	Plattkil	1	For K
321	118227	Flat Key	Plattkil	1	For T
411	3702960	Cylinder Barrel	Cylindertrumma	1	
415	184129	Needle bearing	Nållager	2	
431	3700220	Barrel Retaining Ring	Fästring	1	
440	3708659	Piston Assy	Kolv kpl	7	
442	3705975	Piston Ring	Kolvring	21	Laminated
442	3700219	Piston Ring	Kolvring	7	Spherical Not available
452	3700212	Ring Gear	Kuggkrans	1	
460	118160	Tap Rol Bearing	Kon rullager	1	31314
464	3700218	Spacer Ring	Distansring	1	
470	118161	Tap Rol Bearing	Kon rullager	1	32213
474	907031	Lock Washer	Låsbricka	2	
475	906641	Round Nut	Rundmutter	1	
486	3700206	Guide Spacer	Styrhylsa	1	
488	3700224	Shim	Justerbricka	2	2.25
488	3700225	Shim	Justerbricka	2	2.375
488	3700226	Shim	Justerbricka	2	2.50
488	3700227	Shim	Justerbricka	2	2.625
488	3700228	Shim	Justerbricka	2	2.75
488	3700229	Shim	Justerbricka	2	2.875
488	3700230	Shim	Justerbricka	2	3.00
491	959281	Hex Socket Screw	Insexskruv	4	

Pos	Part No	Title	Benämning	Qty	Remarks
110	3794032	Barrel Housing Assy	Övre hus kpl	1	Type B
110	3794030	Barrel Housing Assy	Övre hus kpl	1	Type F
121	3702070	Valve Plate	Ventilskiva	1	Type G
121	3706310	Valve Plate	Ventilskiva	1	Type H
121	3707165	Valve Plate	Ventilskiva	1	Type J
121	3702800	Valve Plate	Ventilskiva	1	Type L
121	3708062	Valve Plate	Ventilskiva	1	Type L+H
121	72874	Valve Plate	Ventilskiva	1	Type M
121	3703467	Valve Plate	Ventilskiva	1	Type Q
121	3702796	Valve Plate	Ventilskiva	1	Type R
121	3708061	Valve Plate	Ventilskiva	1	Type R+H
131	944508	Hex Socket Plug	Insexpropp	1	
132	944252	Seal Washer	Tätbricka	1	
211	3794025	Bearing Housing	Undre hus	1	Type C
211	3794026	Bearing Housing	Undre hus	1	Type S
237	914540	Retaining Ring	Spårring	1	
310	3796159	Shaft Assy	Axel kpl	1	Type D Repl 3703528
310	3796154	Shaft Assy	Axel kpl	1	Type K Repl 3700808
310	3796157	Shaft Assy	Axel kpl	1	Type S Repl 3702113
310	3796158	Shaft Assy	Axel kpl	1	Type T Repl 3702118
315	3794556	Pin	Styrtapp	1	
321	909358	Flat Key	Plattkil	1	For K
321	118227	Flat Key	Plattkil	1	For T
411	3702961	Cylinder Barrel	Cylindertrumma	1	
415	3702356	Needle bearing	Nållager	2	
431	72890	Barrel Retaining Ring	Fästring	1	
440	3708660	Piston Assy	Kolv kpl	7	
442	72578	Piston Ring	Kolvring	7	Spherical Not available
452	3700810	Ring Gear	Kuggkrans	1	
460	3799030	Tap Rol Bearing	Kon rullager	1	3799030 replaces 118028
460	3799030	Tap Rol Bearing	Kon rullager	1	Only with 3797265, pos 486
464	73390	Spacer Ring	Distansring	1	
470	118205	Tap Rol Bearing	Kon rullager	1	
474	907034	Lock Washer	Låsbricka	2	
475	906644	Round Nut	Rundmutter	1	
486	72878	Guide Spacer	Styrhylsa	1	Not available
486	3797265	Guide Spacer	Styrhylsa	1	New type
488	72880	Shim	Justerbricka	2	2.25
488	72881	Shim	Justerbricka	2	2.375
488	72882	Shim	Justerbricka	2	2.50
488	72883	Shim	Justerbricka	2	2.625
488	72884	Shim	Justerbricka	2	2.75
488	72885	Shim	Justerbricka	2	2.875
488	72886	Shim	Justerbricka	2	3.00
488	3797481	Shim	Justerbricka	2	0.4 New type Ref. SI 95-03
488	3797482	Shim	Justerbricka	2	0.5 " "
488	3797483	Shim	Justerbricka	2	0.6 New type
488	3797484	Shim	Justerbricka	2	0.7 " "
491	959284	Hex Socket Screw	Insexskruv	4	M16



Item	Part No	Title	Benämning	Qty	Remarks
111	3795856	End Cap	Anslutningstopp	1	Type QF Replaces 3706152
111	3706518	End Cap	Anslutningstopp	1	Type LF
111	3706846	End Cap	Anslutningstopp	1	Type RF
131	944508	Hex Socket Plug	Insexpropp	1	
132	944252	Seal Washer	Tätbricka	1	
211	3704873	Bearing Housing	Undre hus	1	Type S
237	914540	Retaining Ring	Spårring	1	
310	3796162	Shaft Assy	Axel kpl	1	Type K Replaces 3707198
310	3796163	Shaft Assy	Axel kpl	1	Type S Replaces 3707199
310	3796164	Shaft Assy	Axel kpl	1	Type F Replaces 3707200
311	3791807	Shaft	Axel	1	Type D
315	3794556	Pin	Styrtapp	1	
321	909358	Flat Key	Plåttkil	1	For K
411	3706154	Cylinder Barrel	Cylindertrumma	1	
413	3791530	Spring Pin	Rörpinne	3	
414	3704909	Retaining Ring	Spårring	1	
415	3704911	Needle Bearing	Nållager	2	
422	3704887	Spacer Sleeve	Distanshylsa	1	
423	3704867	Barrel Spindle	Centrumaxel	1	
424	3708465	Sliding Plate	Glidplatta	1	Replaces 3706153
425	3704912	Tap Rol Bearing	Kon rullager	1	32004X
426	3704888	Spacer Washer	Distansbricka	1	
427	914454	Retaining Ring	Spårring	1	
428	3705177	Hex Socket Screw	Insexskruv	1	
429	946779	Cap Plug	Hattplugg	1	
433	3704913	Disc Spring	Tallriksfjäder	1	
440	3707197	Piston Assy	Kolv kpl	9	
442	72578	Piston Ring	Kolvring	9	Spherical Not available
442	3705764	Piston Ring	Kolvring	27	Laminated
452	3704866	Ring Gear	Kuggkrans	1	
460	3793435	Tap Rol Bearing	Kon rullager	1	
464	3704884	Spacer Ring	Distansring	1	
470	3704905	Tap Rol Bearing	Kon rullager	1	33216
474	907034	Lock Washer	Låsbricka	2	
475	906644	Round Nut	Rundmutter	1	
481	3704864	Barrel Housing	Trumhus	1	Not available
488	3704942	Shim	Justerbricka	2	3.125
488	3704943	Shim	Justerbricka	2	3.25
488	3704944	Shim	Justerbricka	2	2.50
488	3704945	Shim	Justerbricka	2	2.625
488	3704946	Shim	Justerbricka	2	2.75
488	3704947	Shim	Justerbricka	2	2.875
488	3704948	Shim	Justerbricka	2	3.00
491	959284	Hex Socket Screw	Insexskruv	4	
493	3705361	Hex Socket Screw	Insexskruv	3	12.9





# Spare Parts

# ASM 2.1

F11-250 all types from serial No. 9140001 and up,  
(New type shims item 488)

Tab: **F11**

Page 13  
SP020-0342

Item	Part No	Title	Benämning	Qty	Remarks
111	3795856	End Cap	Anslutningstopp	1	Type QF Replaces 3706152
111	3706518	End Cap	Anslutningstopp	1	Type LF
111	3706846	End Cap	Anslutningstopp	1	Type RF
111	3795856	End Cap	Anslutningstopp	1	Type QF
131	944508	Hex Socket Plug	Insexpropp	1	
132	944252	Seal Washer	Tätbricka	1	
211	3704873	Bearing Housing	Undre hus	1	Type S
237	914540	Retaining Ring	Spårring	1	
310	3796162	Shaft Assy	Axel kpl	1	Type K Replaces 3707198
310	3796163	Shaft Assy	Axel kpl	1	Type S Replaces 3707199
310	3796164	Shaft Assy	Axel kpl	1	Type F Replaces 3707200
311	3791807	Shaft	Axel	1	Type D
315	3794556	Pin	Styrtapp	1	
321	909358	Flat Key	Plattkil	1	For K
411	3706154	Cylinder Barrel	Cylindertrumma	1	
413	3791530	Spring Pin	Rörpinne	3	
414	3704909	Retaining Ring	Spårring	1	
415	3704911	Needle Bearing	Nållager	2	
422	3704887	Spacer Sleeve	Distanshylsa	1	
423	3704867	Barrel Spindle	Centrumaxel	1	
424	3708465	Sliding Plate	Glidplatta	1	Replaces 3706153
425	3704912	Tap Rol Bearing	Kon rullager	1	32004X
426	3704888	Spacer Washer	Distansbricka	1	
427	914454	Retaining Ring	Spårring	1	
428	3705177	Hex Socket Screw	Insexskruv	1	
429	946779	Cap Plug	Hattplugg	1	
433	3704913	Disc Spring	Tallriksfjäder	1	
440	3707197	Piston Assy	Kolv kpl	9	
442	72578	Piston Ring	Kolvring	9	Spherical Not available
442	3705764	Piston Ring	Kolvring	27	Laminated
452	3704866	Ring Gear	Kuggkrans	1	
460	3793435	Tap Rol Bearing	Kon rullager	1	
464	3704884	Spacer Ring	Distansring	1	
470	3704905	Tap Rol Bearing	Kon rullager	1	33216
474	907034	Lock Washer	Låsbricka	2	
475	906644	Round Nut	Rundmutter	1	
481	3794776	Barrel Housing	Trumhus	1	
488	3794781	Shim	Justerbricka	2	0.2
488	3794782	Shim	Justerbricka	2	0.4
488	3794783	Shim	Justerbricka	2	0.6
488	3794784	Shim	Justerbricka	2	0.8
488	3794785	Shim	Justerbricka	2	1.0
491	959284	Hex Socket Screw	Insexskruv	4	
493	3705361	Hex Socket Screw	Insexskruv	3	12.9





# Spare Parts

Kits for F11-005 through -250

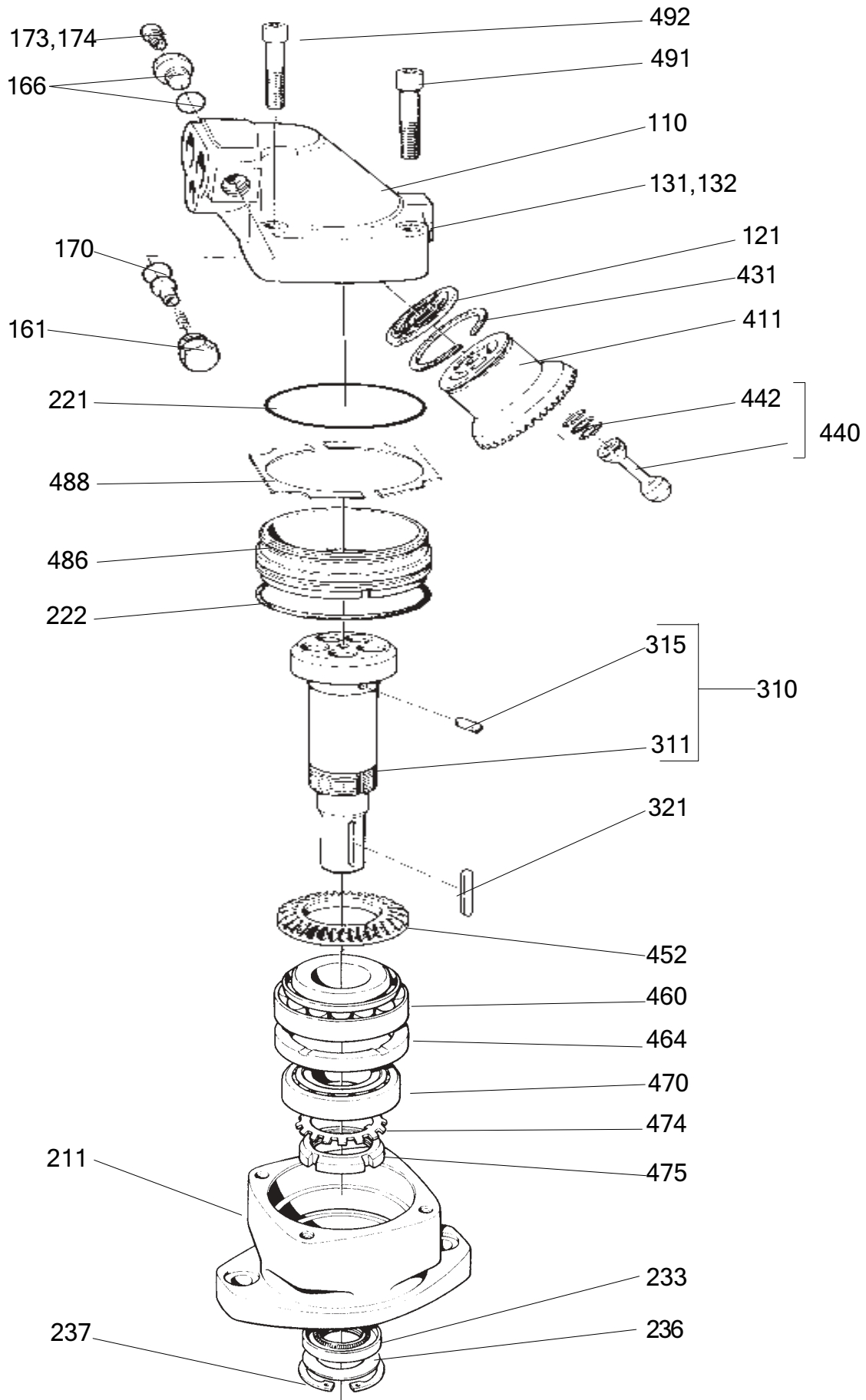
Tab: **F11**  
Page 14  
SP211-0403

To fit	Part No	Title	Benämning	
F11-005 type M	3797031	Spare Parts Kit	Reservdelssats	
F11-005 type N	3797109	Sealing Kit	Tätningssats	
F11-005 type H	3797118	Sealing Kit	Tätningssats	
F11-005 type E	3797127	Sealing Kit	Tätningssats	
F11-010 type M	3797032	Spare Parts Kit	Reservdelssats	
F11-010 type N	3797111	Sealing Kit	Tätningssats	
F11-010 type H	3797119	Sealing Kit	Tätningssats	
F11-010 type E	3797128	Sealing Kit	Tätningssats	
F11-010 type V	3783269	Sealing Kit	Tätningssats	
F11-010	3783383	Sealing Kit	Tätningssats	Sawmotor
F11-010 type H	3780159	Spare Parts Kit	Reservdelssats	Sawmotor
F11-019 type M	3797033	Spare Parts Kit	Reservdelssats	
F11-019 type N	3797112	Sealing Kit	Tätningssats	
F11-019 type H	3797120	Sealing Kit	Tätningssats	
F11-019 type E	3797129	Sealing Kit	Tätningssats	
F11-019 type V	3783270	Sealing Kit	Tätningssats	
F11-019	3783384	Sealing Kit	Tätningssats	Sawmotor
F11-019 type H	3780160	Spare Parts Kit	Reservdelssats	Sawmotor
F11-028 type M	3797034	Spare Parts Kit	Reservdelssats	
F11-028 type N	3797113	Sealing Kit	Tätningssats	
F11-028 type H	3797121	Sealing Kit	Tätningssats	
F11-028 type E	3797130	Sealing Kit	Tätningssats	
F11-039 type M	3797037	Spare Parts Kit	Reservdelssats	
F11-039/058 type N	3797114	Sealing Kit	Tätningssats	
F11-039/058 type H	3797122	Sealing Kit	Tätningssats	
F11-039 type E	3797131	Sealing Kit	Tätningssats	
F11-058 type M	3797038	Spare Parts Kit	Reservdelssats	
F11-058 type E	3797132	Sealing Kit	Tätningssats	
F11-078 type M	3797039	Spare Parts Kit	Reservdelssats	
F11-078 type N	3797115	Sealing Kit	Tätningssats	
F11-078 type H	3797123	Sealing Kit	Tätningssats	
F11-078 type E	3797133	Sealing Kit	Tätningssats	
F11-110 type M	3797040	Spare Parts Kit	Reservdelssats	
F11-110 type N	3797116	Sealing Kit	Tätningssats	
F11-110 type H	3797124	Sealing Kit	Tätningssats	
F11-110 type E	3797134	Sealing Kit	Tätningssats	
F11-150 type M	3797041	Spare Parts Kit	Reservdelssats	
F11-150 type N	3797117	Sealing Kit	Tätningssats	
F11-150 type H	3797125	Sealing Kit	Tätningssats	
F11-150 type E	3797135	Sealing Kit	Tätningssats	
F11-250 type H	3797126	Sealing Kit	Tätningssats	

The Spare Parts Kits comprise items 121, 221, 222, 233, 236, 410/411, 431 & 440.

The Sealing Kits comprise generally items 221, 222, 233 & 236.

If more parts are required it is normally not profitable to carry out a repair.





# Spare Parts

F11-010-HR-CH-K-000 3797736  
F11-010-HL-CH-K-000 3798401  
F11-010-HR-CH-K-208 3798634  
F11-010-HR-CH-K-215 3798994  
From serial No. 1995431395

# ASM 2.1

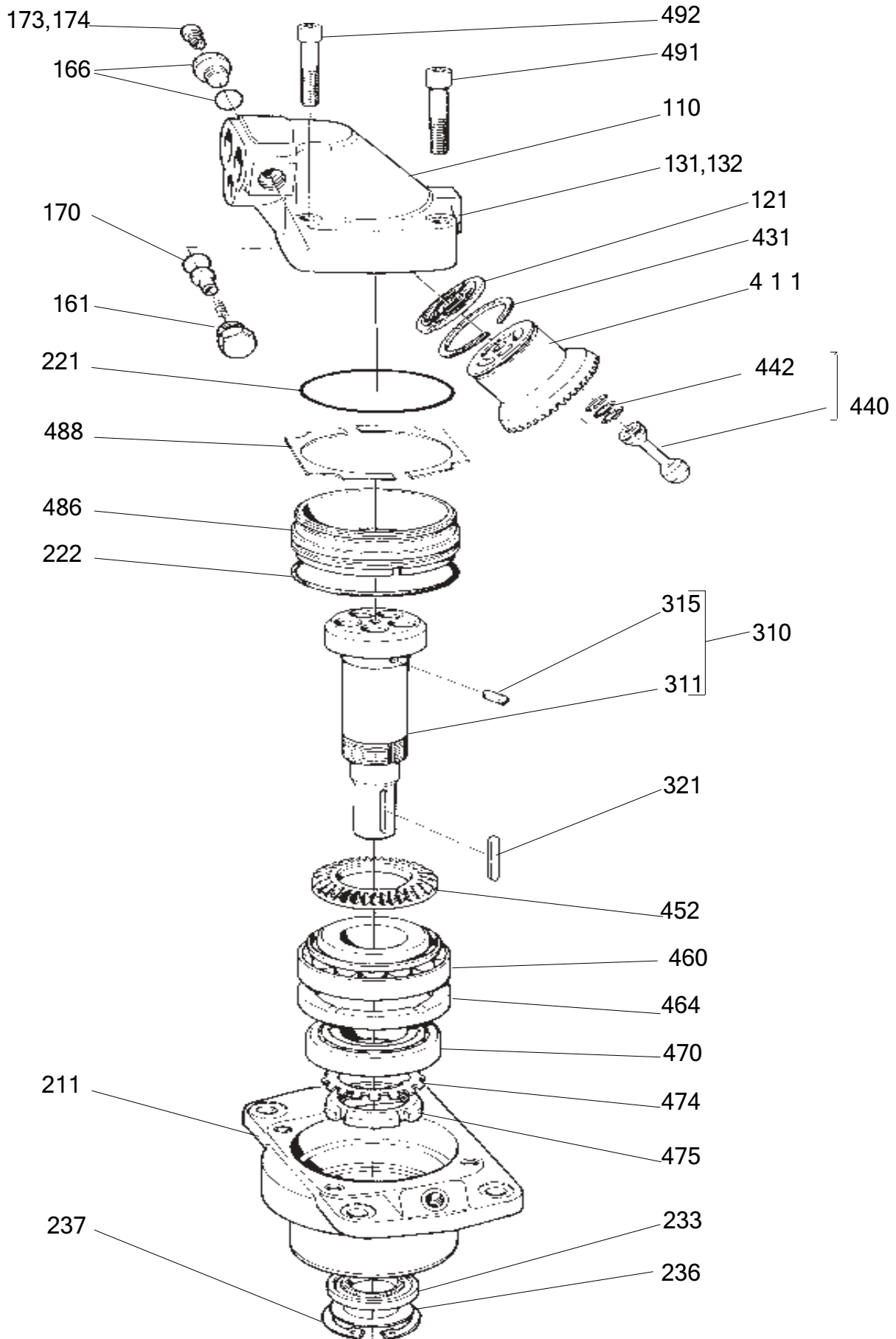
Tab: **F11**

Page 16

SP 214-0034

Item	Part No	Title	Benämning	Qty	Remarks
110	3797286	Barrel Housing Assy	Övre hus kpl	1	
121	3795088	Valve Plate	Ventilskiva	1	Type H
131	944506	Hex Socket Plug	Insexpropp	1	
132	944496	Seal Washer	Tätbricka	1	
161	3797292	Hex Socket Plug Assy	Insexpropp kpl	1	
166	3797291	Hex socket Plug Assy	Insexpropp kpl	1	
170	3797288	Chec Valve Cone Assy	Backventilkägla kpl	1	
173	944505	Hex Socket Plug	Insexpropp	1	
174	943907	Seal Washer	Tätbricka	1	
211	3700905	Bearing Housing	Undre hus	1	For 3797736, 3798401
211	3798455	Bearing Housing	Undre hus	1	For 3798634, 3798994
221	945624	O-Ring	O-ring	1	Nitrile, 69x2
221	948974	O-Ring	O-ring	1	Viton
222	947840	O-Ring	O-ring	1	Nitrile, 78x2
222	948975	O-Ring	O-ring	1	Viton
233	3795183	Shaft Seal	Tätningring	1	Type H, Nitril HP
236	3705049	Back-up Ring	Stödring	1	For H
237	914519	Retaining Ring	Spärring	1	
310	3796080	Shaft Assy	Axel kpl	1	Type K
315	3792207	Pin	Styrtapp	1	
321	3796439	Flat Key	Plattkil	1	For K
411	3702958	Cylinder Barrel	Cylindertrumma	1	
431	3700973	Barrel Retaining Ring	Fåstring	1	
440	3708657	Piston Assy	Kolv kpl	5	
442	3708652	Piston Ring	Kolvring	15	Laminated
452	3795832	Ring Gear	Kuggkrans	1	
460	118024	Tap Rol Bearing	Kon rullager	1	31306
464	3700954	Spacer Ring	Distansring	1	
470	118201	Tap Rol Bearing	Kon rullager	1	30206
474	907024	Lock Washer	Låsbricka	1	
475	906634	Round Nut	Rundmutter	1	
486	3797259	Guide Spacer	Styrhylsa	1	
488	3797411	Shim	Justerbricka	2	0.4
488	3797412	Shim	Justerbricka	2	0.5
488	3797413	Shim	Justerbricka	2	0.6
488	3797414	Shim	Justerbricka	2	0.7
488	3797415	Shim	Justerbricka	2	0.8
491	959241	Hex Socket Screw	Insexskruv	2	
492	959249	Hex Socket Screw	Insexskruv	2	

3797295,3797735,3798399,3797297,3797737





# Spare Parts

F11-010-HR-XH-K-214 3797295  
F11-010-HR-WH-K-000 3797735  
F11-010-HL-WH-K-000 3798399  
From serial No. 1995271806

ASM 2.1  
Tab: F11  
Page 18

SP 215-0034

Item	Part No	Title	Benämning	Qty	Remarks
110	3797286	Barrel Housing Assy	Övre hus kpl	1	
121	3795088	Valve Plate	Ventilskiva	1	Type H
131	944506	Hex Socket Plug	Insexpropp	1	
132	944496	Seal Washer	Tätbricka	1	
161	3797292	Hex Socket Plug Assy	Insexpropp kpl	1	
166	3797291	Hex socket Plug Assy	Insexpropp kpl	1	
170	3797288	Chec Valve Cone Assy	Backventilkägla kpl	1	
173	944505	Hex Socket Plug	Insexpropp	1	
174	943907	Seal Washer	Tätbricka	1	
211	3795468	Bearing Housing	Undre hus	1	For 3797295
211	3798382	Bearing Housing	Undre hus	1	For 3797735, 3798399
221	945624	O-Ring	O-ring	1	Nitrile, 69x2
221	948974	O-Ring	O-ring	1	Viton
222	947840	O-Ring	O-ring	1	Nitrile, 78x2
222	948975	O-Ring	O-ring	1	Viton
233	3795183	Shaft Seal	Tätningring	1	Type H, Nitril HP
236	3705049	Back-up Ring	Stödtring	1	For H
237	914519	Retaining Ring	Spårring	1	
310	3796080	Shaft Assy	Axel kpl	1	Type K
315	3792207	Pin	Styrtapp	1	
321	3796439	Flat Key	Plattkil	1	For K
411	3702958	Cylinder Barrel	Cylindertrumma	1	
431	3700973	Barrel Retaining Ring	Fåstring	1	
440	3708657	Piston Assy	Kolv kpl	5	
442	3708652	Piston Ring	Kolvring	15	Laminated
452	3795832	Ring Gear	Kuggkrans	1	
460	118024	Tap Rol Bearing	Kon rullager	1	31306
464	3700954	Spacer Ring	Distansring	1	
470	118201	Tap Rol Bearing	Kon rullager	1	30206
474	907024	Lock Washer	Låsbricka	1	
475	906634	Round Nut	Rundmutter	1	
486	3797259	Guide Spacer	Styrhylsa	1	
488	3797411	Shim	Justerbricka	2	0.4
488	3797412	Shim	Justerbricka	2	0.5
488	3797413	Shim	Justerbricka	2	0.6
488	3797414	Shim	Justerbricka	2	0.7
488	3797415	Shim	Justerbricka	2	0.8
491	959241	Hex Socket Screw	Insexskruv	2	
492	959249	Hex Socket Screw	Insexskruv	2	



# Spare Parts

F11-019-HB-XH-K-2233797297  
F11-019-HB-WH-K-2243797737

ASM 2.1

Tab: **F11**

Page 19

SP 216-0034 GB

Item	Part No	Title	Benämning	Qty	Remarks
110	3704782	Barrel Housing Assy	Övre hus kpl	1	
121	3797880	Valve Plate	Ventilskiva	1	Bi-metall
131	944506	Hex Socket Plug	Insexpropp	1	
132	944496	Seal Washer	Tätbricka	1	
211	3797078	Bearing Housing	Undre hus	1	For 3797297
211	3797570	Bearing Housing	Undre hus	1	For 3797737
221	948980	O-Ring	O-ring	1	Viton
222	948981	O-Ring	O-ring	1	Viton
233	3795181	Shaft Seal	Tätningssring	1	Type H, Nitril HP
236	3704108	Back-up Ring	Stödtring	1	For H
237	914529	Retaining Ring	Spårring	1	
310	3797255	Shaft Assy	Axel kpl	1	Type K
315	3792207	Pin	Styrtapp	1	
321	909306	Flat Key	Plattkil	1	
411	3702959	Cylinder Barrel	Cylindertrumma	1	
431	72686	Barrel Retaining Ring	Fästring	1	
440	3708658	Piston Assy	Kolv kpl	5	
442	3705969	Piston Ring	Kolvring	15	Laminated
452	3795833	Ring Gear	Kuggkrans	1	
460	3797156	Tap Rol Bearing	Konrullager	1	
464	3797201	Spacer Ring	Distansring	1	
470	3797298	Tap Rol Bearing	Konrullager	1	
474	907025	Lock Washer	Låsbricka	2	
475	906635	Round Nut	Rundmutter	1	
486	3797260	Guide Spacer	Styrhylsa	1	
488	3797421	Shim	Justerbricka	2	0.4
488	3797422	Shim	Justerbricka	2	0.5
488	3797423	Shim	Justerbricka	2	0.6
488	3797424	Shim	Justerbricka	2	0.7
488	3797425	Shim	Justerbricka	2	0.8
491	959243	Hex Socket Screw	Insexskruv	4	