

FOOT MOUNTING BRACKETS

SAE A 2-BOLT

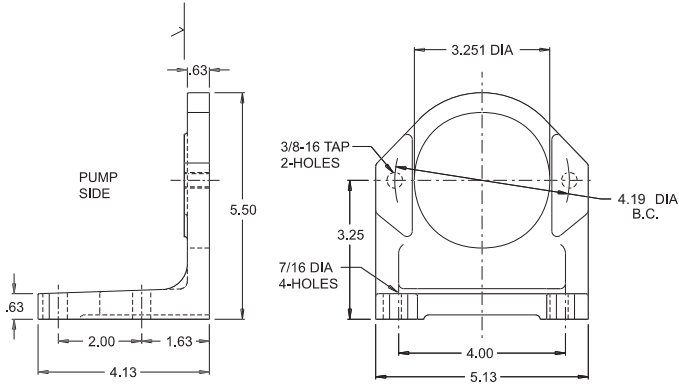
This Foot Mounting Bracket is designed to mount a SAE A 2-bolt hydraulic pump or motor with supporting feet.

Standard Features:

- Light weight - High strength
- Four foot mounting holes provided
- Machined to a 3.25 inch shaft centerline height

Standard Material:

- Cast Aluminum



SAE A 2-Bolt Foot Mounting Bracket

Part No.	Description
FM200	SAE A 2-Bolt Foot Bracket

NOTE: All dimensions are inches

SAE B 2-BOLT

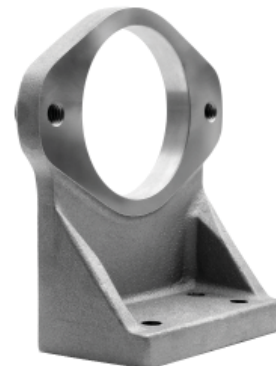
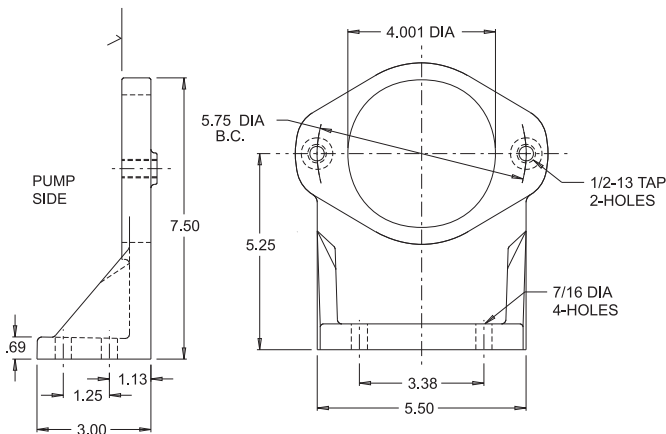
This Foot Mounting Bracket is designed to mount a SAE B 2-bolt hydraulic pump or motor with supporting feet.

Standard Features:

- Light weight - High strength
- Four foot mounting holes provided
- Machined to a 5.25 inch shaft centerline height

Standard Material:

- Cast Aluminum



SAE B 2-Bolt Foot Mounting Bracket

Part No.	Description
FM300	SAE B 2-Bolt Foot Bracket

NOTE: All dimensions are inches

Dimensions and specifications are subject to change without notice. Not all items are Made-To-Stock, contact us for availability.

02/14

Ph : 920-682-6877
Fx : 920-684-7210



sales@ldi-industries.com
www.ldi-industries.com