

SPG Series Pressure Gauge

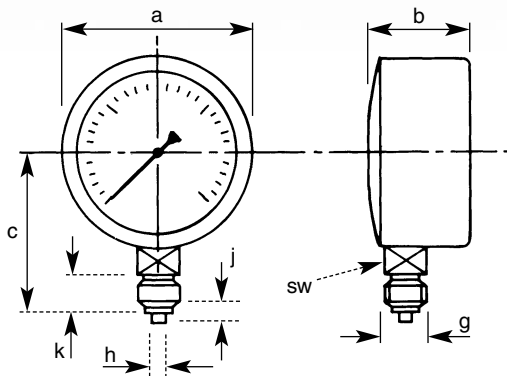
- 2.5" Diameter
- SST Case
- Glycerine Filled
- Dual Calibration psi / bar
- Phosphor Bronze Bourdon Tube
- Temperature Range -40° to 180°F
- Bronze Connection



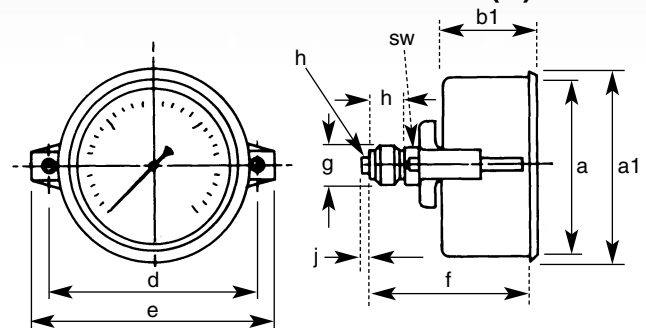
Heavy duty glycerine filled pressure gauges with hermetically sealed stainless steel case to prevent leakage and condensation. Gauges are glycerine filled for longer life and good dampening on pulsating pressures which occur in hydraulic Systems.

The case also incorporates a safety blow-out plug which relieves in the event of accidental overload. Gauges have dual scale with psi outer figures in black and bar inner range in red. Accuracy $\pm 1.6\%$ of full scale at 20°C.

Bottom connection (S)



Centre back connection (C)



Nominal Size, Dimensions In mm.

a	a1	b	b1	c	d	e	f	g	h	j	k	sw
63	68	37	37	53	72	85	60	1/4	5	3	12	14

Another quality product from the Webster Range

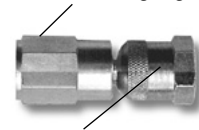
Specifications

Bottom connection (S)			Center Back Connection (C)		
Pressure Range		Part No	Pressure Range		Part No.
psi	bar		psi	bar	
30	2	SPG25-30S	30	2	SPG25-30PC
60	4	SPG25-60S	60	4	SPG25-60PC
100	7	SPG25-100S	100	7	SPG25-100PC
160	11	SPG25-160S	160	11	SPG25-160PC
200	14	SPG25-200S	200	14	SPG25-200PC
300	20	SPG25-300S	400	25	SPG25-300PC
600	40	SPG25-600S	500	35	SPG25-600S
1000	70	SPG25-1KS	1000	70	SPG25-1KPC
1500	100	SPG25-1K5S	1500	100	SPG25-1K5PC
2000	140	SPG25-2KS	2000	140	SPG25-2KPC
3000	200	SPG25-3KS	3000	200	SPG25-3KPC
4000	270	SPG25-4KS	4000	270	SPG25-4KPC
5000	350	SPG25-5KS	5000	350	SPG25-5KPC
6000	400	SPG25-6KS	6000	400	SPG25-6KPC
10000	680	SPG25-10KS	10000	680	SPG25-10KPC

Pressure Gauge Connectors Direct;
connects pressure gauge to test point.

Model No. **Description**
GD2504-1A Adaptor, 1/4" NPT female to M16 x 2 male

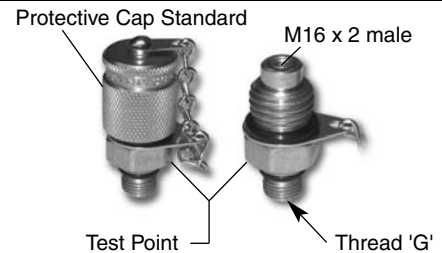
1/4" NPT or BSP female connects to gauge



M16 x 2 female connects to PT2502 test points

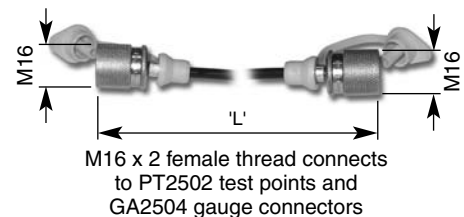
Pressure Test Points,
with protective dust cap, connect under pressure to 6000 psi.

Model No. **Description (thread 'G')**
PT2502-12 1/4" NPT
PT2502-11 1/8" NPT
PT2502-10 7/16" UNF
PT2502-9/16 9/16" UNF



High Pressure Micro-Bore Hose,
6,000 psi.

Model No. **Length**
PH2503-1 1 foot
Other lengths available. Designate model number PH2503-XX by replacing XX with total length required in feet.

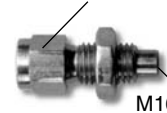


M16 x 2 female thread connects to PT2502 test points and GA2504 gauge connectors

Pressure Gauge Connectors Bulkhead;
connects PH2503 hose to pressure gauge.

Model No. **Description**
GA2504-1A Adaptor, 1/4" NPT female to M16 x 2 male

1/4" NPT or BSP female connects to gauge



M16 x 2 Male connects to hose