

General Description

Series CFD flow controls are a constant volume, priority-type flow control designed for power steering.

Operation

Flow enters the valve through the inlet. The spool orifice size is fixed and determines flow from the controlled flow port. When controlled flow demand is satisfied, the balance of the inlet flow passes through the excess flow port and returns to the tank. The excess flow port is not a work port and must not be pressurized. In addition, flow cannot be reversed through the excess flow port.

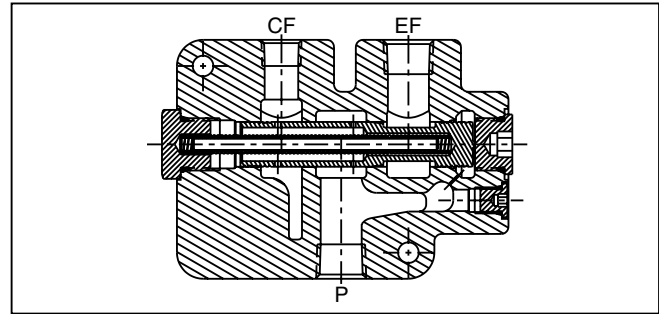
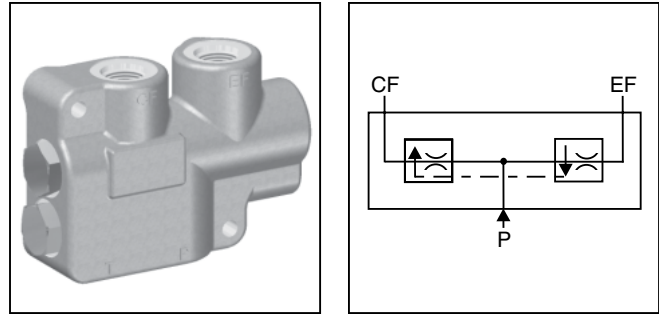
Flow through the controlled port can be reversed, but it is not pressure compensated.

Features

- Fixed flow rate
- Cross drilled spool provides extremely accurate metering
- Hardened metering spool
- High tensile, cast iron body

Specifications

Input Flow	56.25 LPM (15 GPM)
Operating Pressure SAE Ports NPTF Ports	177 Bar (2500 PSI) 138 Bar (2000 PSI)
Minimum Compensation Pressure	3.45 Bar (50 PSI)
Operating Temperature Range (Ambient)	Nitrile Seals: -40°C to +93°C (-40°F to +200°F)
Material	Body – High strength cast iron
Filtration	ISO Code 16/13 SAE Class 4 or better
Mounting Position	In-line; no restrictions



Ordering Information

CFD — Port Size — Controlled Flow

Constant Volume Priority Flow Control

Code	CF Port	EF Port	P Port	T Port
10	SAE-8	SAE-10	SAE-10	3/8" NPTF
50	3/8" NPTF	1/2" NPTF	1/2" NPTF	3/8" NPTF
75	1/2" NPTF	3/4" NPTF	3/4" NPTF	3/8" NPTF

Code	Description
1	3.75 LPM (1.0 GPM)
1.5	5.63 LPM (1.5 GPM)
2	7.5 LPM (2 GPM)
3	11.25 LPM (3 GPM)
4	15 LPM (4 GPM)
5	18.75 LPM (5 GPM)

Service Parts

SAE - 10 plug	10HP50V-S
SAE - 4 plug	4HP50V-S
Spool Seal	3910N-7

Note: The body and the internal parts are non-service items.

Inch equivalents for millimeter dimensions are shown in (**)

