

**Technical Information**

**General Description**

3-Way, 2 Position Manual Spool Valve. Designed to operate single acting cylinders, pilot circuits and uni-directional motors.

**Features**

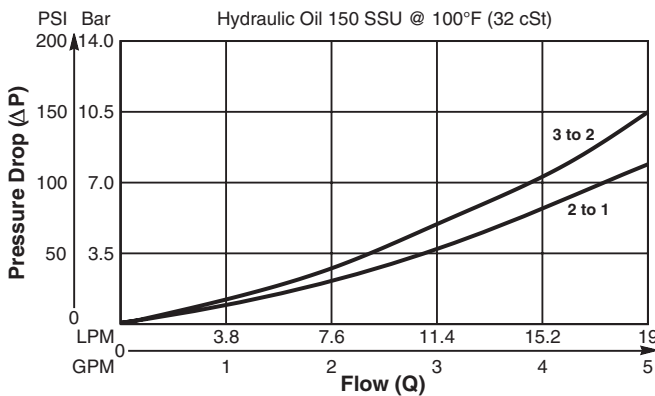
- High flow capacity with reduced space requirements
- One piece cartridge housing ensures internal concentricity
- Low mechanical operating force required
- Detented option available
- All external parts zinc plated

**Operation**

Neutral flow is 2 to 1. Pull to shift for flow from 3 to 2.

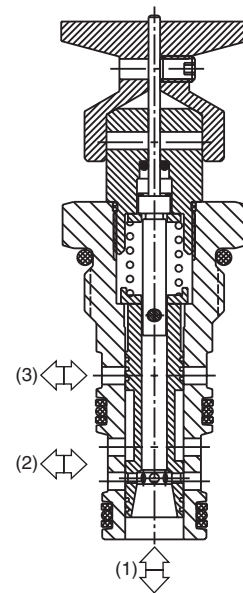
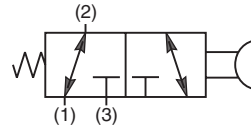
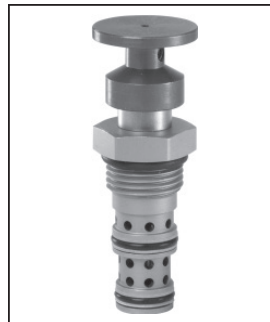
**Performance Curve**

**Pressure Drop vs. Flow** (Through cartridge only)

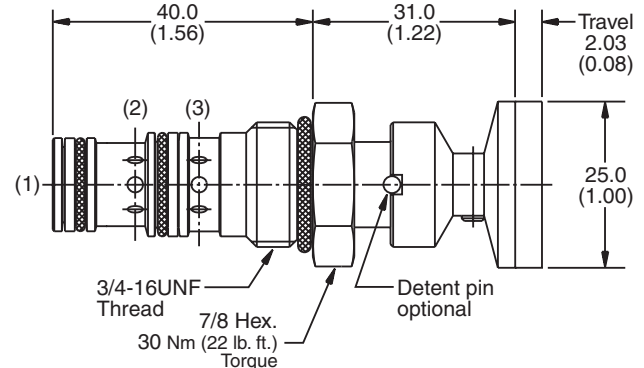


**Specifications**

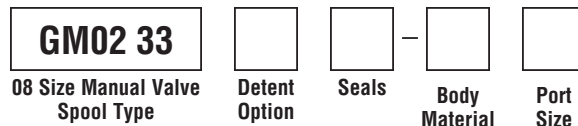
<b>Rated Flow</b>	19 LPM (5 GPM)
<b>Operating Pressure</b>	<b>Side Ports</b> - 350 Bar (5000 PSI) <b>Bottom Port</b> - 35 Bar (500 PSI)
<b>Max. Operating Pushing or Pulling Force Required</b>	5 kg (11 lbs.)
<b>Cartridge Material</b>	All parts steel. All operating parts hardened steel.
<b>Operating Temp. Range/Seals</b>	-40°C to +93.3°C (Nitrile, Buna-N) (-40°F to +200°F) -31.7°C to +121.1°C (Fluorocarbon) (-25°F to +250°F)
<b>Fluid Compatibility/Viscosity</b>	Mineral-based or synthetic with lubricating properties at viscosities of 45 to 2000 SSU (6 to 420 cSt)
<b>Filtration</b>	ISO code 16/13, SAE Class 4 or better
<b>Approx. Weight</b>	.10 kg (.20 lbs.)
<b>Cavity</b>	C08-3 (See BC Section for more details)



**Dimensions** Millimeters (Inches)



**Ordering Information**



Code	Detent Option
Omit	Non-Detented (Std.)
1	Detented

Code	Body Material
Omit	Steel
A	Aluminum

Code	Seals / Kit No.
N	Nitrile, Buna-N / (SK30077N-1)
V	Fluorocarbon / (SK30077V-1)

Code	Port Size	Body Part No.
Omit	Cartridge Only	
4P	1/4" NPTF	(B08-3-*4P)
4T	SAE-4	(B08-3-*4T)
6T	SAE-6	(B08-3-*6T)
6B	3/8" BSPG	(B08-3-*6B)

\* Add "A" for aluminum, omit for steel.

- CV Check Valves
- SH Shuttle Valves
- LM Load/Motor Controls
- FC Flow Controls
- PC Pressure Controls
- LE Logic Elements
- DC Directional Controls
- MV Manual Valves
- SV Solenoid Valves
- PV Proportional Valves
- CE Coils & Electronics
- BC Bodies & Cavities
- TD Technical Data