

Technical Information

- CV Check Valves
- SH Shuttle Valves
- LM Load/Motor Controls
- FC Flow Controls
- PC Pressure Controls
- LE Logic Elements
- DC Directional Controls
- MV Manual Valves
- SV Solenoid Valves
- PV Proportional Valves
- CE Coils & Electronics
- BC Bodies & Cavities
- TD Technical Data

General Description

4-Way, 2 Position, Reversing Manual Spool Valve. Designed to operate double acting cylinders, pilot circuits and bi-directional motors.

Features

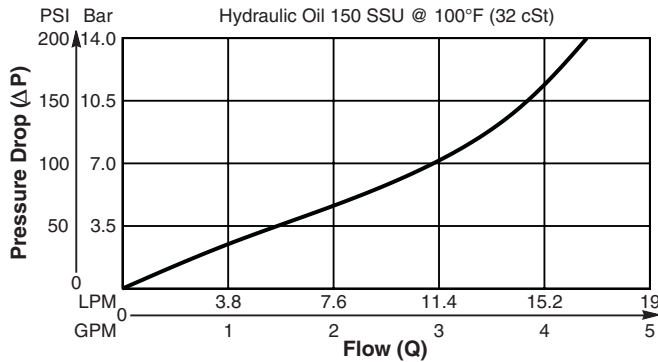
- High flow capacity with reduced space requirements
- One piece cartridge housing ensures internal concentricity
- Low mechanical operating force required
- Detented option available
- All external parts zinc plated

Operation

Neutral, flow is 3 to 4 and 2 to 1. Push to shift for flow 3 to 2 and 4 to 1

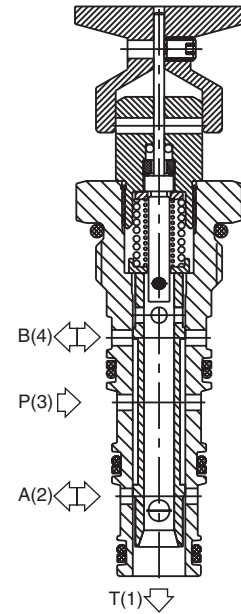
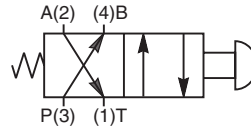
Performance Curve

Pressure Drop vs. Flow (Through cartridge only)

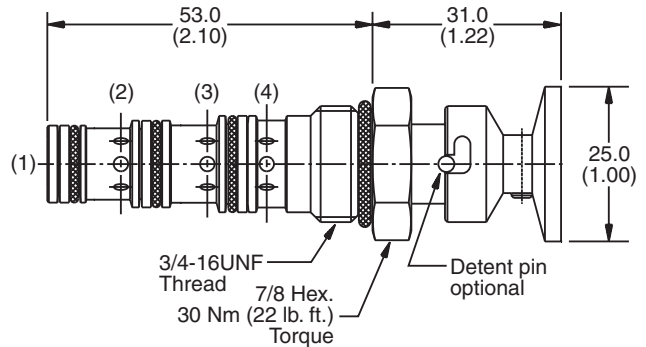


Specifications

Rated Flow	15 LPM (4 GPM)
Operating Pressure	Side Ports - 350 Bar (5000 PSI) Bottom Port - 35 Bar (500 PSI)
Max. Operating Pushing or Pulling Force Required	5 kg (11 lbs.)
Cartridge Material	All parts steel. All operating parts hardened steel.
Operating Temp. Range/Seals	-40°C to +93.3°C (Nitrile, Buna-N) (-40°F to +200°F) -31.7°C to +121.1°C (Fluorocarbon) (-25°F to +250°F)
Fluid Compatibility/Viscosity	Mineral-based or synthetic with lubricating properties at viscosities of 45 to 2000 SSU (6 to 420 cSt)
Filtration	ISO code 16/13, SAE Class 4 or better
Approx. Weight	.10 kg (.20 lbs.)
Cavity	C08-4 (See BC Section for more details)



Dimensions Millimeters (Inches)



Ordering Information

GM02 40XS

08 Size Manual Valve Detent Option Seals Body Material Port Size
Spool Type Option

Code	Detent Option
Omit	Non-Detented (Std.)
1	Detented

Code	Body Material
Omit	Steel
A	Aluminum

Code	Seals / Kit No.
N	Nitrile, Buna-N / (SK30078N-1)
V	Fluorocarbon / (SK30078V-1)

Code	Port Size	Body Part No.
Omit	Cartridge Only	
4T	SAE-4	(B08-4-*4T)
6T	SAE-6	(B08-4-*6T)
6B	3/8" BSPG	(B08-4-*6B)

* Add "A" for aluminum, omit for steel.