

Technical Information

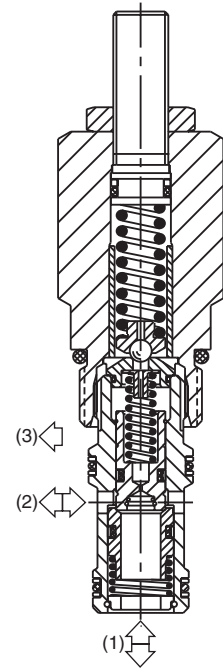
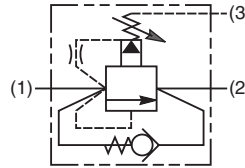
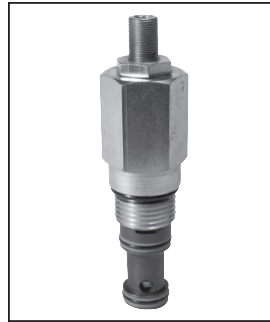
- CV** Check Valves
- SH** Shuttle Valves
- LM** Load/Motor Controls
- FC** Flow Controls
- PC** Pressure Controls
- LE** Logic Elements
- DC** Directional Controls
- MV** Manual Valves
- SV** Solenoid Valves
- PV** Proportional Valves
- CE** Coils & Electronics
- BC** Bodies & Cavities
- TD** Technical Data

General Description

Pilot Operated Sequence Valve with Reverse Flow Check. For additional information see Technical Tips on pages PC1-PC6.

Features

- High flow capacity
- For use on clamp and drill circuits where pressure is to be maintained regardless of drop in system pressure
- Integral 250 micron pilot flow filter
- Hardened working parts for maximum durability
- Adjustable and tamperproof versions available
- All external parts zinc plated



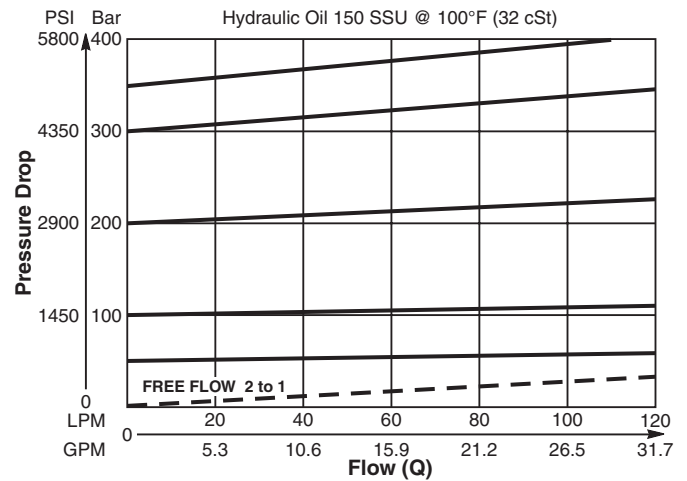
Specifications

Rated Flow	70 LPM (18.5 GPM)
Maximum Inlet Pressure	420 Bar (6000 PSI)
Maximum Pressure Setting	H - 10-210 Bar (145-3000 PSI) P - 10-420 Bar (145-6000 PSI)
Maximum Tank Pressure	420 Bar (6000 PSI)
Leakage at 150 SSU (32 cSt)	50 drops/min. @ 100 Bar (1450 PSI)
Cartridge Material	All parts steel. All operating parts hardened steel.
Operating Temp. Range/Seals	-40°C to +93.3°C (Nitrile) (-40°F to +200°F) -31.7°C to +121.1°C (Fluorocarbon) (-25°F to +250°F)
Fluid Compatibility/Viscosity	Mineral-based or synthetic with lubricating properties at viscosities of 45 to 2000 SSU (6 to 420 cSt)
Filtration	ISO Code 16/13, SAE Class 4 or better
Approx. Weight	0.25 kg (0.55 lbs.)
Cavity	C10-3S (See BC Section for more details)
Form Tool	Rougher NFT10S-3R Finisher NFT10S-3F

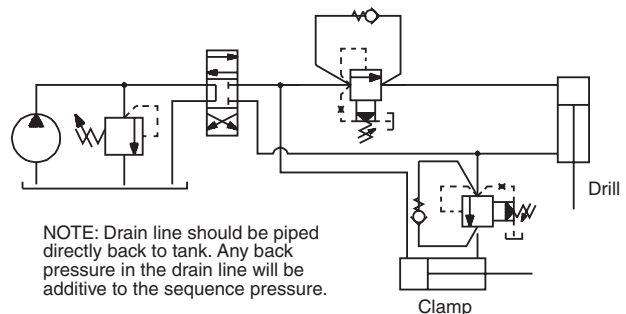
Performance Curve

(Pressure rise through cartridge only)

Flow vs. Inlet Pressure 1 to 2

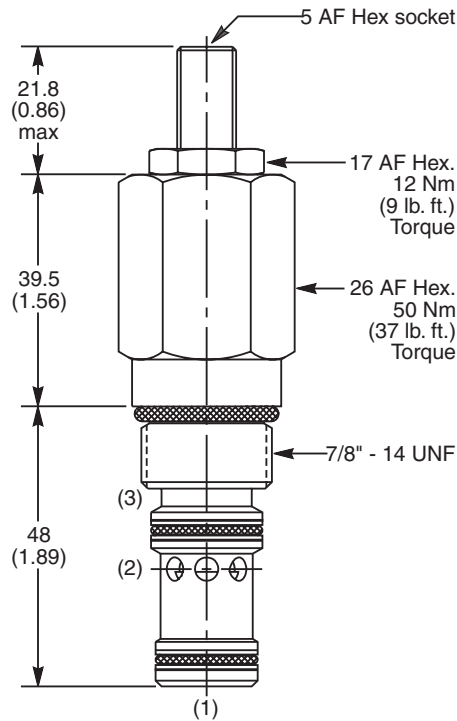


Application



NOTE: Drain line should be piped directly back to tank. Any back pressure in the drain line will be additive to the sequence pressure.

Dimensions Millimeters (Inches)



Ordering Information

B04D3	<input type="checkbox"/>	<input type="checkbox"/>	<input type="checkbox"/>	<input type="checkbox"/>
10 Size Pilot Operated Sequence Valve	Pressure Adjustment Range	Adjustment Style	Optional Pressure Setting	Seals

Code	Pressure Adjustment Range
H	10 - 210 Bar (145 - 3000 PSI)
P	10 - 420 Bar (145 - 6000 PSI)

Optional Pressure Setting	
Specify setting if required (Bar)	
B04D3H Standard Setting: 100 Bar (1450 PSI) @ 15 LPM (4.0 GPM)	
B04D3P Standard Setting: 200 Bar (2900 PSI) @ 15 LPM (4.0 GPM)	

Code	Adjustment Style / Kit No.
Z	Screw Adjust (Std.)
W	Knob Adjust
T	Tamper Resistant Cap (TC1130)

Code	Seals / Kit No.
N	Nitrile, Buna-N (Std.) / (SK30504N-1)
V	Fluorocarbon / (SK30504V-1)

Order Bodies Separately

LB10	<input type="checkbox"/>	<input type="checkbox"/>
Line Body	Porting	Body Material

Code	Porting
710	5/8" SAE (main) 3/8" SAE (aux)
711	3/4" BSP (main) 1/4" BSP (aux)

Code	Body Material
A	Aluminum
S	Steel