

4

3

2

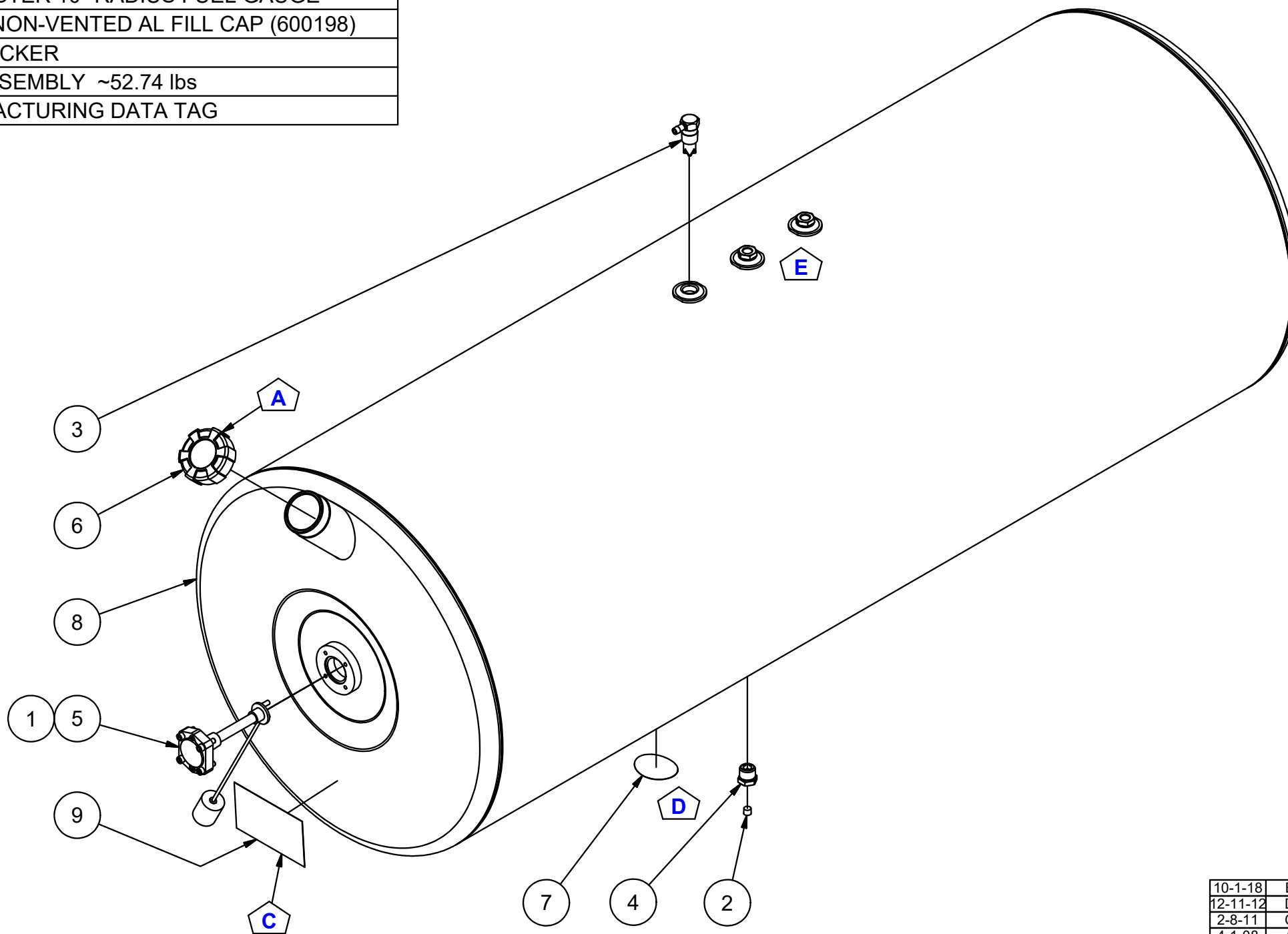
1

Parts List

ITEM	QTY	PART NUMBER	DESCRIPTION
1	4	23204	SHCS 1_4-20 UNC x 0.875
2	1	APP0125	1/8" NPT PLUG
3	1	ASV-0500	1/2" NPT DIESEL ANTI-SPILL VENT (060064)
4	1	BCV-0500	1/2" NPT - 1/8" NPT Brass/Steel Ball Check Valve
5	1	FGA-2200	ROCHESTER 10" RADIUS FUEL GAUGE
6	1	FNC-2000	2"-11.5 NON-VENTED AL FILL CAP (600198)
7	1	MA-1_R11	USA STICKER
8	1	N_AR22100	NAM ASSEMBLY ~52.74 lbs
9	1	REEFER TAG_1	MANUFACTURING DATA TAG

AMP PARTS INCLUDE:  
 -RMK-822-S MOUNTING KIT

NOTE:  
 -PLUG ALL PORTS FOR SHIPMENT



WT: ~53.86 lbs

DATE	SYM.	DESCRIPTION	BY
10-1-18	E	MOVED PICKUP TUBES TO NAM ASS'Y	BPK
12-11-12	D	ADDED PLUG & STICKER TO MODEL	BPK
2-8-11	C	ADDED MFG TAG	BPK
4-1-08	A	FILL CAP WAS #600133	BPK

<b>AMERICAN MOBILE POWER</b> PH: (800) 634-8265 FAX: (765) 948-3403	DRAWING BY: <b>BPKNIGHT</b>	DESIGN FOR: <b>AMP</b>	FILE NAME: <b>AR22100</b>	
	COMPLETED: <b>8/10/2005</b>		SHEET: <b>1 of 5</b>	SHEET SIZE: <b>B</b>

4

3

2

1

A

A

B

B

4

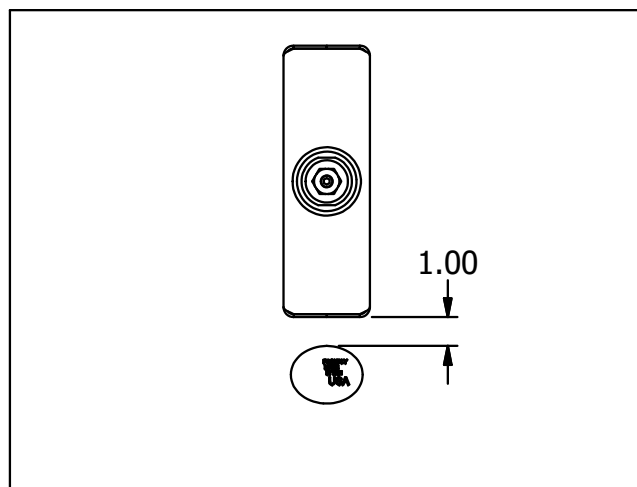
3

2

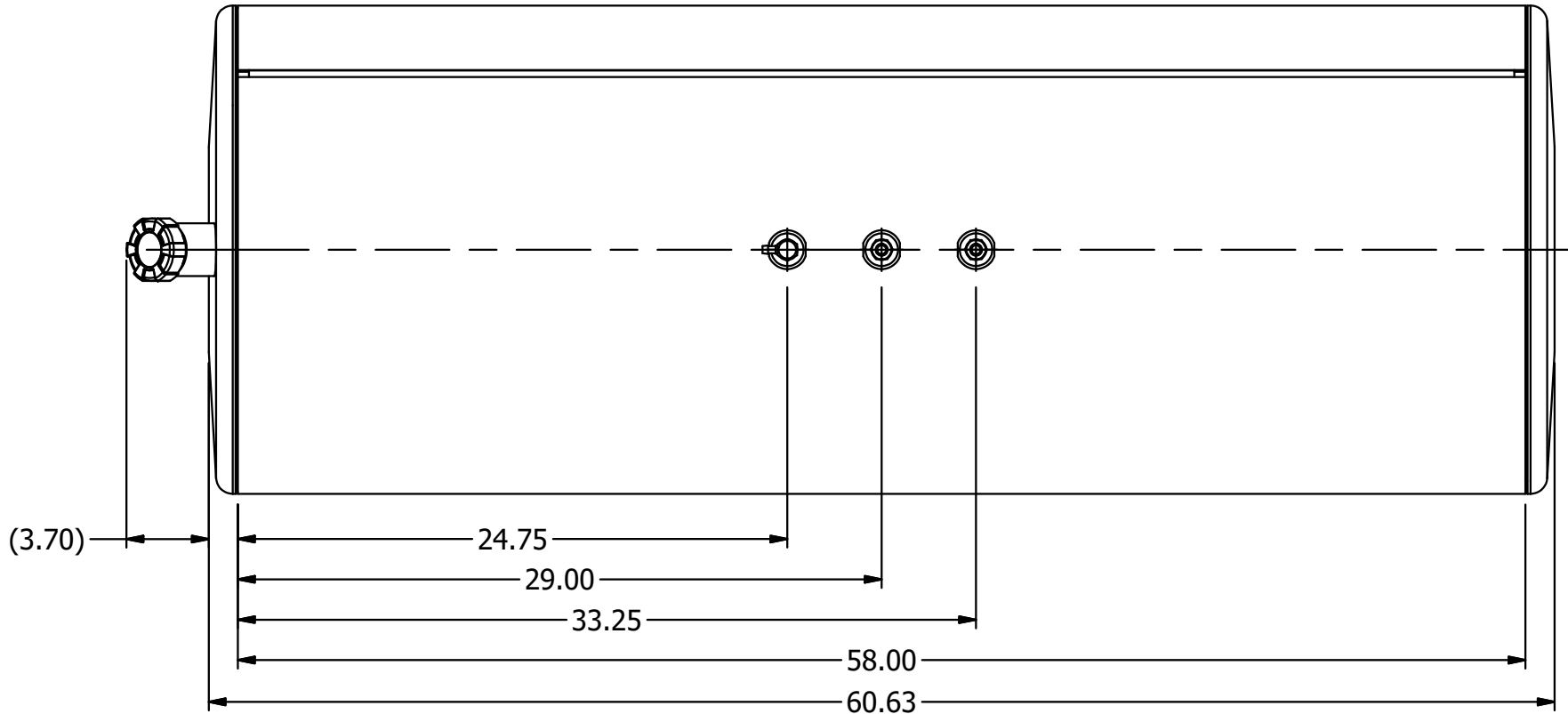
1

B

B

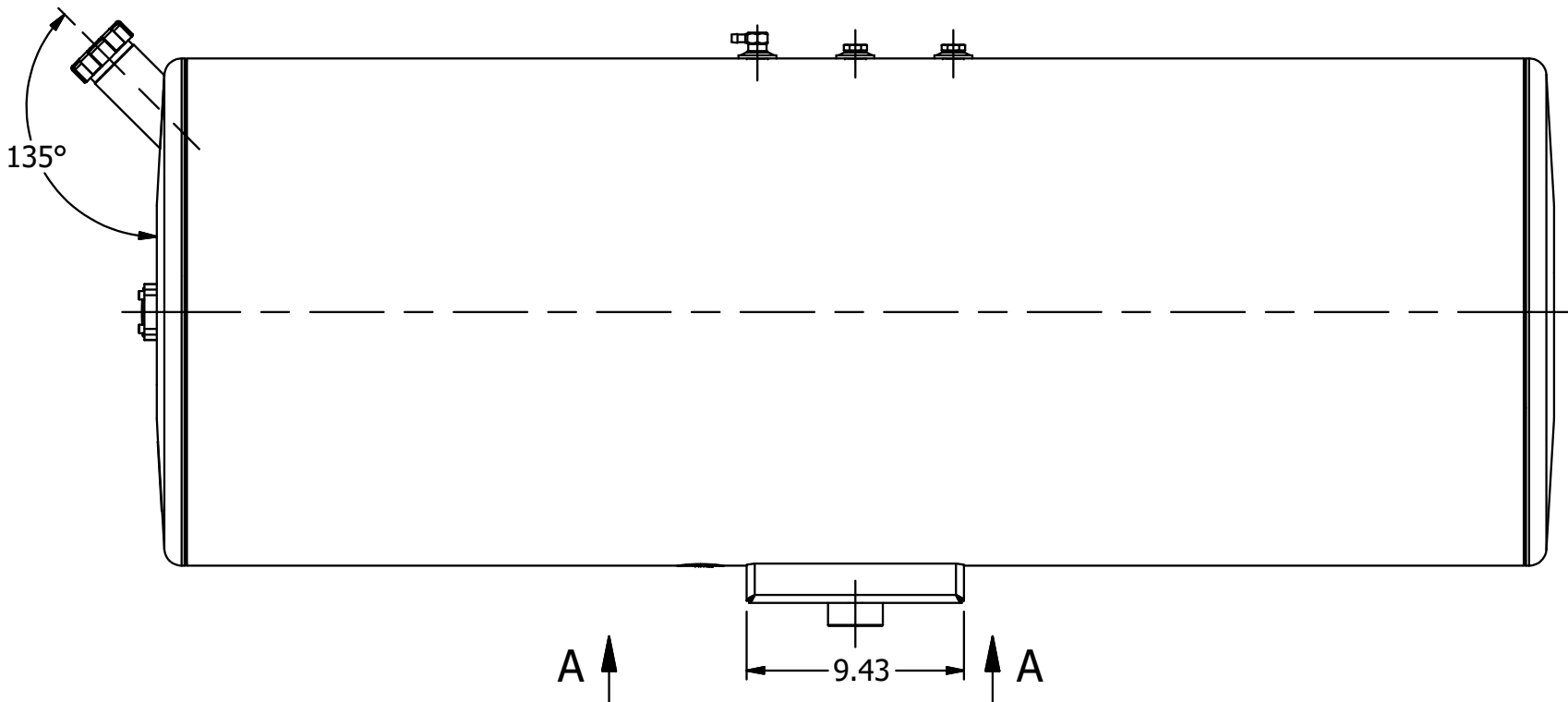
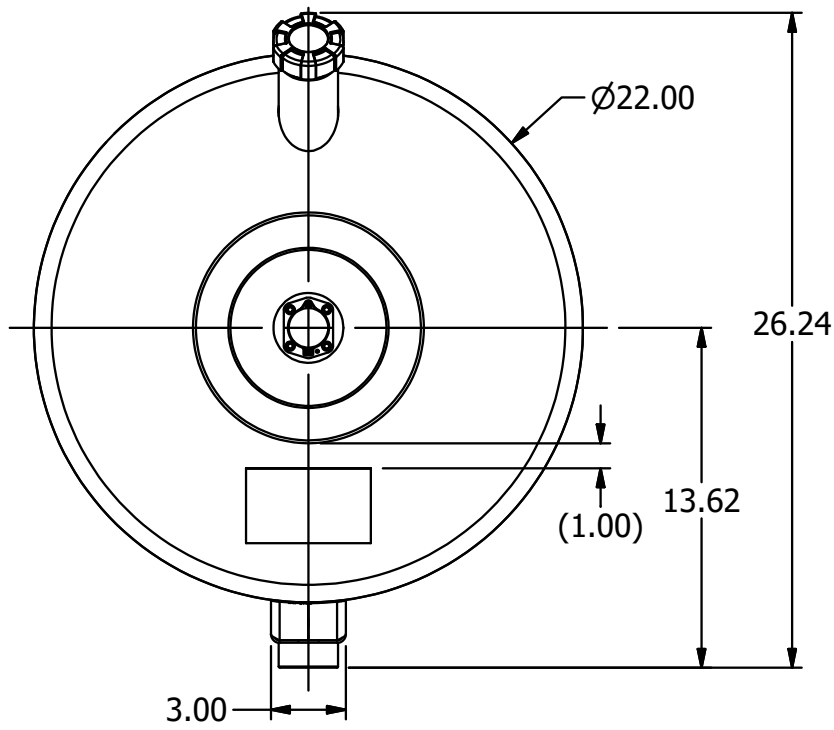


VIEW A-A



A

A



<b>AMERICAN MOBILE POWER</b> <small>PH: (800) 634-8265 FAX: (765) 948-3403</small>	DRAWING BY: BPKNIGHT	DESIGN FOR: <b>AMP</b>	FILE NAME: AR22100	
	COMPLETED: 8/10/2005		SHEET: 2 of 5	SHEET SIZE: B

4

3

2

1

4

3

2

1

Parts List

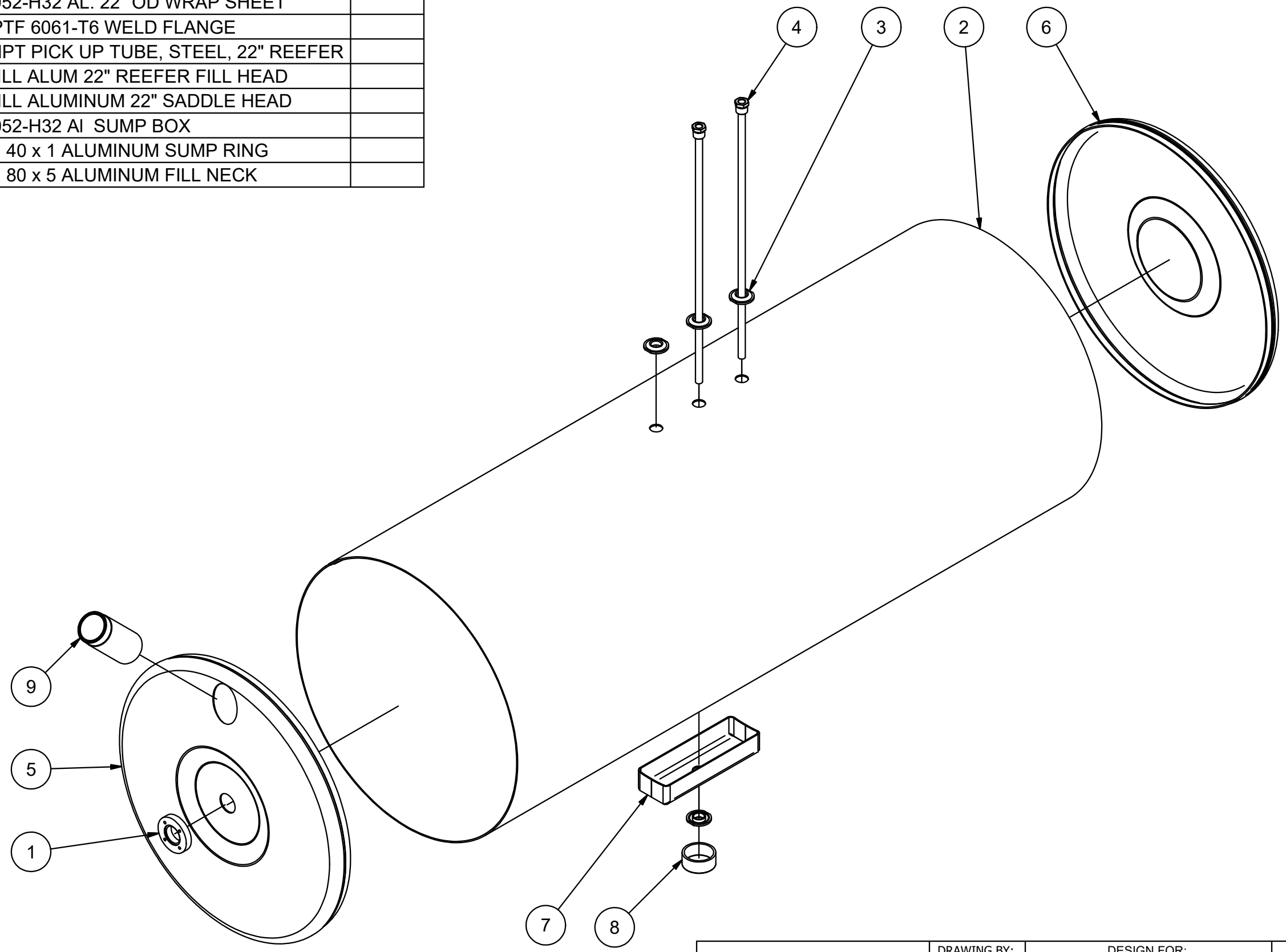
ITEM	QTY	PART NUMBER	DESCRIPTION	Fab Qty
1	1	AGF-8175	ALUMINUM GAUGE MOUNTING RING	
2	1	AR22100WS	.100 5052-H32 AL. 22" OD WRAP SHEET	
3	4	AWF0500	1/2" NPTF 6061-T6 WELD FLANGE	
4	2	PRT-2200	1/4" FNPT PICK UP TUBE, STEEL, 22" REEFER	
5	1	RA0000FL	.100 MILL ALUM 22" REEFER FILL HEAD	
6	1	RA0000NF	.100 MILL ALUMINUM 22" SADDLE HEAD	
7	1	RA0000SB	.100 5052-H32 AI SUMP BOX	
8	1	RA0000SR	2" SCH 40 x 1 ALUMINUM SUMP RING	
9	1	RA2000FN	2" SCH 80 x 5 ALUMINUM FILL NECK	

B

B

A

A



<b>AMERICAN MOBILE POWER</b> <small>PH: (800) 634-8265 FAX: (765) 948-3403</small>	<small>DRAWING BY:</small> BPKNIGHT	<small>DESIGN FOR:</small> AMP	<small>FILE NAME:</small> AR22100	
	<small>COMPLETED:</small> 8/10/2005		<small>SHEET:</small> 3 of 5	<small>SHEET SIZE:</small> B

4

3

2

1