

# JIC TYPE RESERVOIRS

## CONTAINMENT TRAY

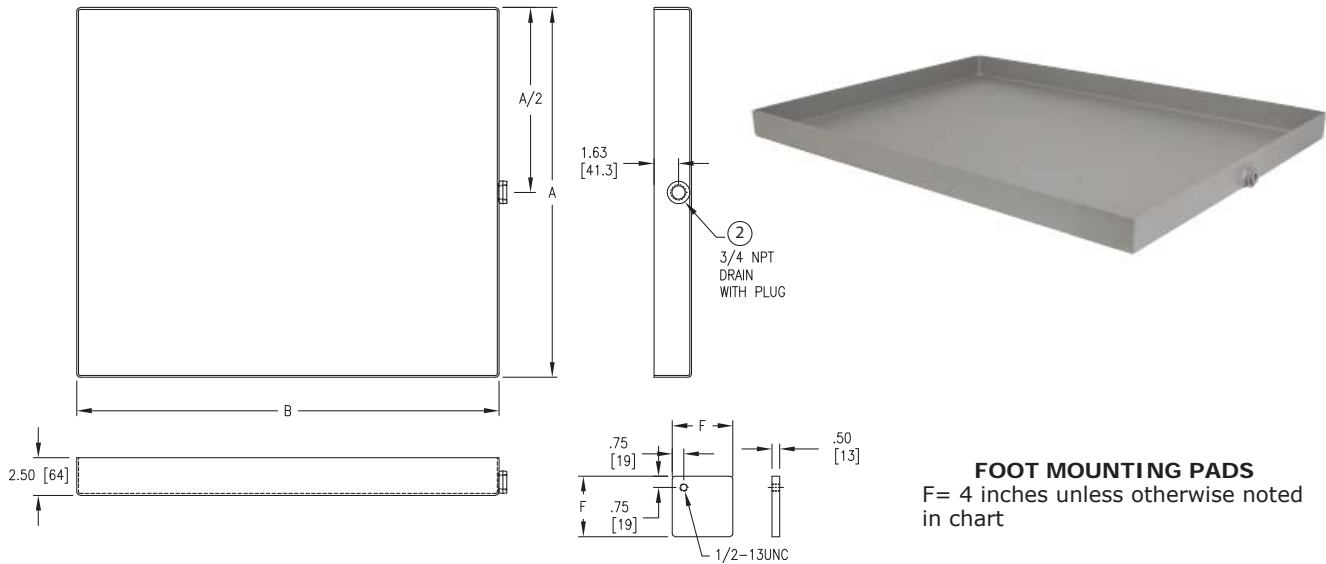
Containment trays are an optional accessory to JIC type reservoirs to contain minor leaks or weepage from system components during normal operation. Proper containment of these escaping fluids may help to limit contamination of the nearby environment and provide safer working conditions in areas otherwise negatively affected when exposed to the escaping fluid from the system. Reservoirs are sold separately.

### Standard Features:

1. Mate with JIC type reservoirs ranging in size from 10 to 500 gallons
2. (1) 3/4 inch NPT drain port with plug
3. Foot mounting pads shipped loose
4. Prime painted LDI gray
5. Material
  - Carbon steel construction

**NOTE**

- Drain plugs need to be sealed and tightened before use
- See page 16 for reservoir/containment tray assembly



**FOOT MOUNTING PADS**  
F = 4 inches unless otherwise noted in chart

**NOTE:** All dimensions are inches [mm]

Reservoir Capacity (gal)	Part No.	Tray Dimensions (inches)		Reservoir Type				Piece Weight (lb)
		A	B	Style A	Style B	Style RB	Style RT	
10	DPA-10	24.50	28.00	•		•	•	42
15	DPA-15	24.50	32.00	•		•		42
20	DPA-20	24.50	36.00	•			•	50
20	DPB-20	27.50	38.00		•	•		57
30	DPA-30	30.50	42.00	•		•		66
35	DPA-30	30.50	42.00				•	66
40	DPA-30	30.50	42.00	•		•		66
50	DPA-30	30.50	42.00	•		•	•	66
60	DPA-60	33.50	54.00	•				87
60	DPB-60	31.50	44.00		•	•		70
70	DPA-60	33.50	54.00				•	87
80	DPA-80	33.50	66.00	•				102
80	DPB-80	36.50	53.00		•	•		91
90	DPA-80	33.50	66.00				•	102

Reservoir Capacity (gal)	Part No.	Tray Dimensions (inches)		Reservoir Type				Piece Weight (lb)
		A	B	Style A	Style B	Style RB	Style RT	
100	DPA-80	33.50	66.00	•				91
100	DPB-80	36.50	53.00		•	•		102
120	DPA-120	36.50	66.00	•	•	•		110
130	DPA-120	36.50	66.00				•	110
150	DPA-120	36.50	66.00	•	•	•		110
160	DPA-120	36.50	66.00				•	110
200	DPA-200	42.50	78.00	•	•	•		144
210	DPA-200	42.50	78.00				•	144
250	DPA-200	42.50	78.00		•			144
300	DPA-200	42.50	78.00	•				144
300	*DPB-300	54.50	88.00			•		200
400	*DPA-400	54.50	78.00	•				179
500	*DPA-400	54.50	78.00	•				179

\* 5 inch foot mounting pads for these part numbers.

**NOTE:** For Reservoir sizes not listed or custom sizes — consult factory

Dimensions and specifications are subject to change without notice. Not all items are Made-To-Stock, contact us for availability.

02/14

Ph : 920-682-6877  
Fx : 920-684-7210



sales@ldi-industries.com  
www.ldi-industries.com