

4

3

2

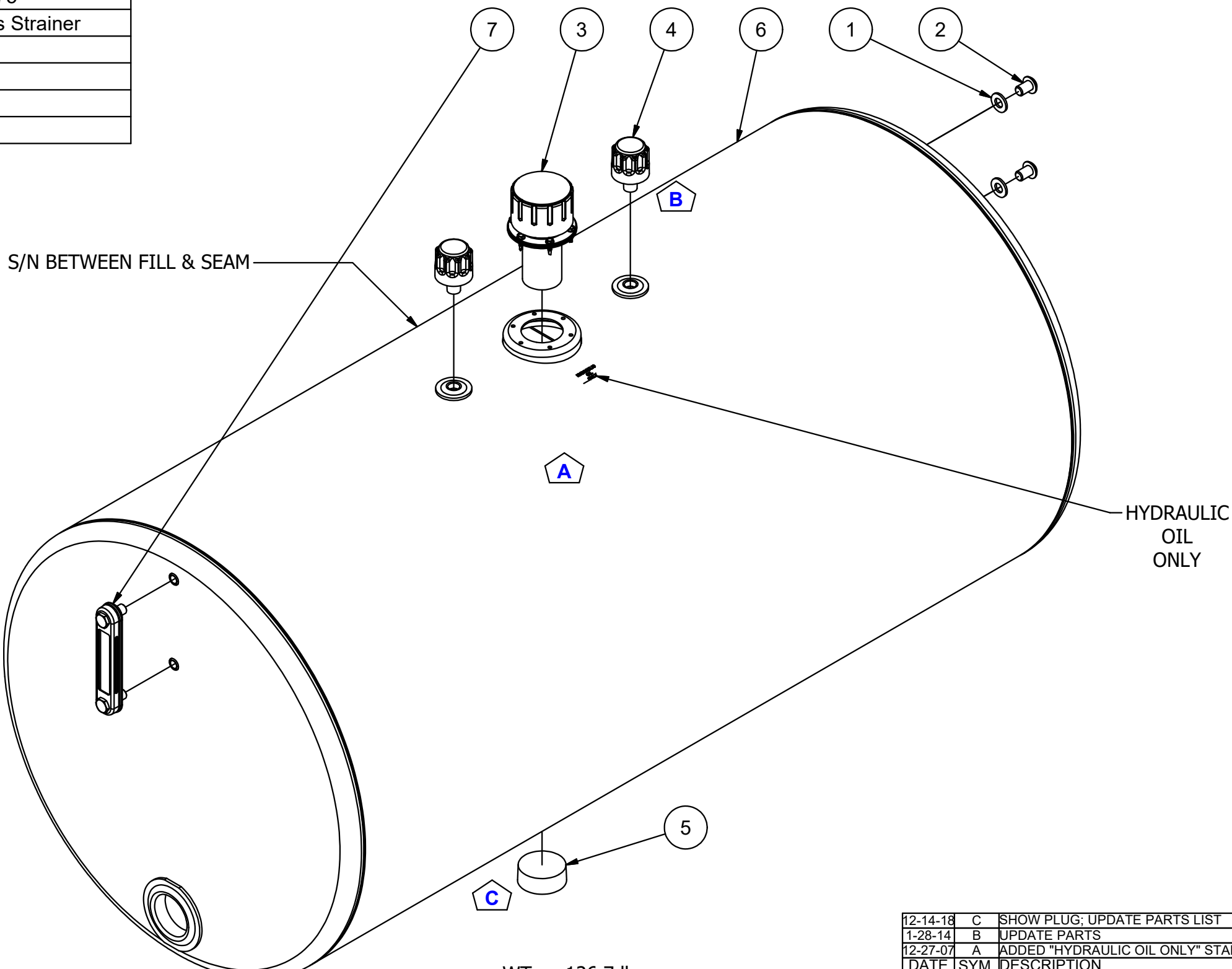
1

Parts List			
ITEM	QTY	PART NUMBER	DESCRIPTION
1	2	0500BBS	Black Buffer Seal 1.0 OD x .5 ID x .10 Neoprene
2	2	24107	Button Head, Hex, 1/2-13 UNC x 0.75
3	1	57XL-40	40 Micron FILL w/30 Mesh Stainless Strainer
4	2	ABA-138	3/8" NPT VENT
5	1	APP2000	2" NPT SQUARE SOCKET PLUG
6	1	N_A35100-ST	NAM WELDMENT ~124.3 lbs
7	1	T-LLG-5	SIGHT/TEMP. GAUGE, 5"

B AMP PARTS INCLUDE:  
 (2) AMK-624-C MOUNTING KIT (STD) OR -S (UPGRADE)

NOTES:  
 -POWDER COAT BLACK  
 -APPLY RUST INHIBITOR INSIDE  
 -PLUG ALL PORTS FOR SHIPMENT

S/N BETWEEN FILL & SEAM



HYDRAULIC  
OIL  
ONLY

WT: ~126.7 lbs

DATE	SYM.	DESCRIPTION	BY
12-14-18	C	SHOW PLUG; UPDATE PARTS LIST	BPK
1-28-14	B	UPDATE PARTS	BPK
12-27-07	A	ADDED "HYDRAULIC OIL ONLY" STAMP	BPK

<b>AMERICAN MOBILE POWER</b> PH: (800) 634-8265 FAX: (765) 948-3403	DRAWING BY: <b>BPKNIGHT</b>	DESIGN FOR: <b>A.M.P.</b>	FILE NAME: <b>A35100-ST</b>	
	COMPLETED: <b>6/7/2007</b>		SHEET: <b>1 of 5</b>	SHEET SIZE: <b>B</b>

4

3

2

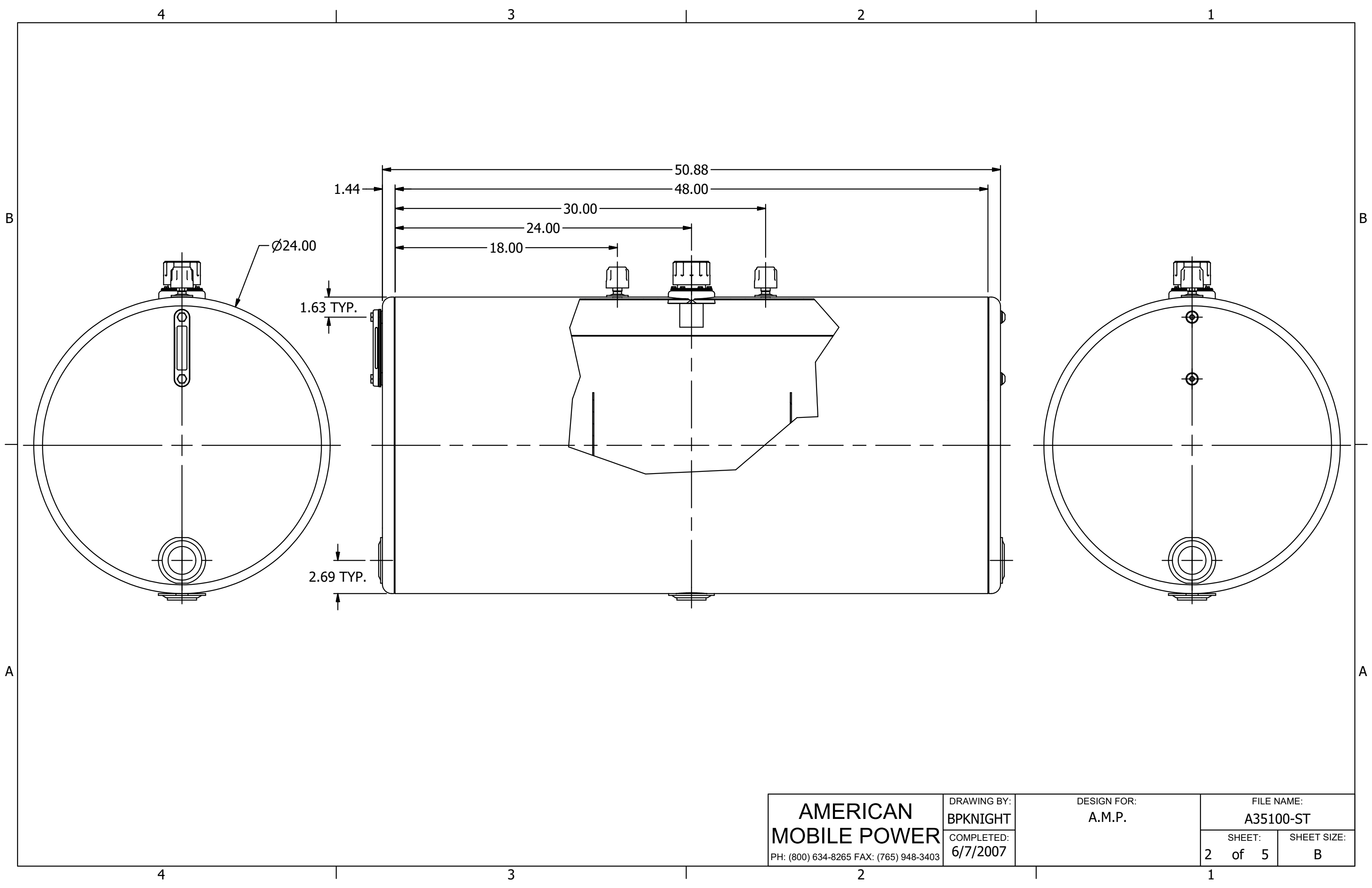
1

A

A

B

A



<b>AMERICAN MOBILE POWER</b> <small>PH: (800) 634-8265 FAX: (765) 948-3403</small>	DRAWING BY: BPKNIGHT	DESIGN FOR: <b>A.M.P.</b>	FILE NAME: A35100-ST	
	COMPLETED: 6/7/2007		SHEET: 2 of 5	SHEET SIZE: B

4

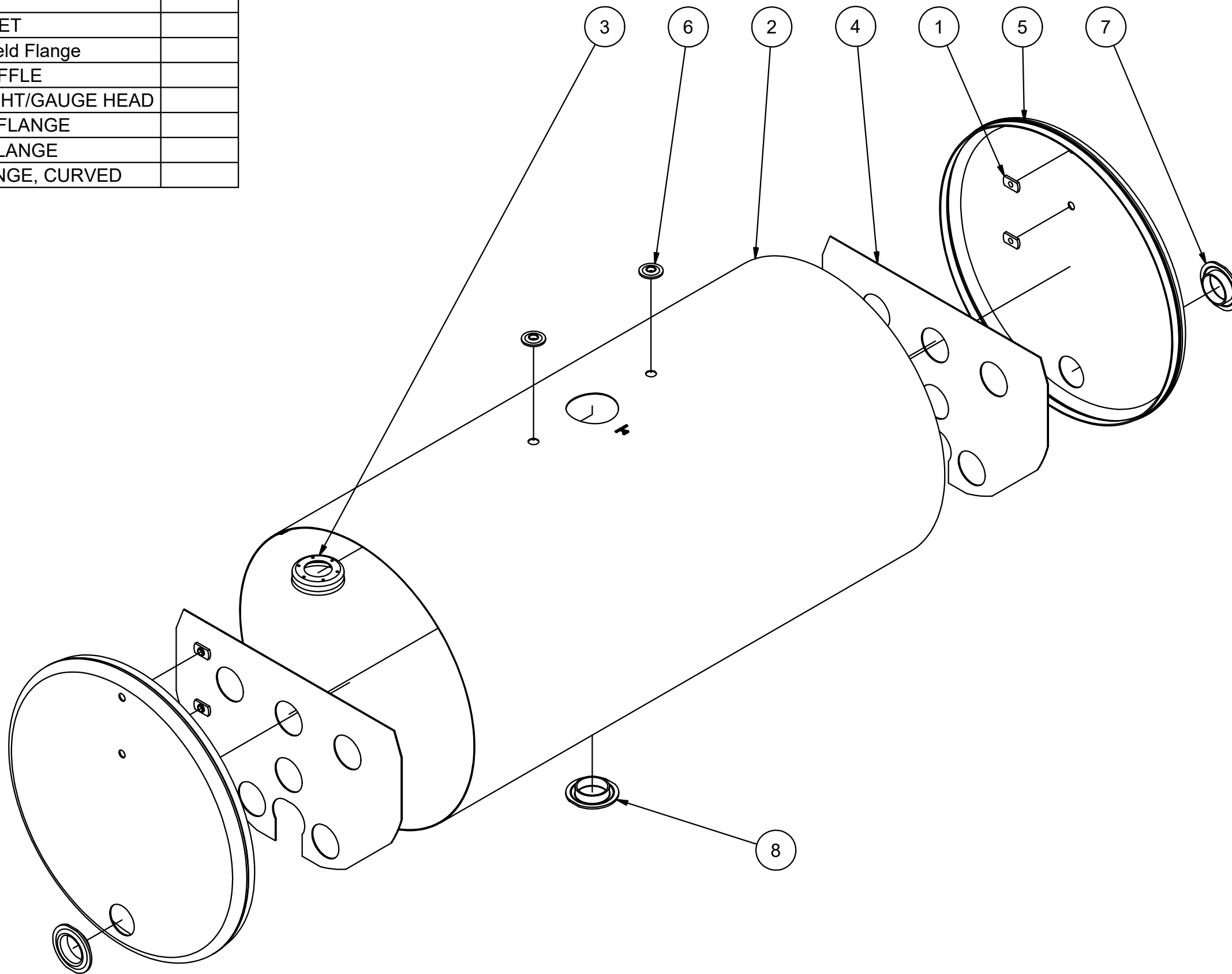
3

2

1

Parts List

ITEM	QTY	PART NUMBER	DESCRIPTION	Fab Qty
1	4	0500-13-FWN	1/2"-13 UNC WELD NUT	
2	1	A35100WS	14 GA HRPO WRAP SHEET	
3	1	AFS-301	13 GA HRPO Fill Ass'y Weld Flange	
4	2	SS0000BF	13 GA HRPO ROUND BAFFLE	
5	2	SS2000ST	13 GA HRPO 2" NPT, SIGHT/GAUGE HEAD	
6	2	SWF0375	3/8" NPTF STEEL WELD FLANGE	
7	2	SWF2000	2" NPSC STEEL WELD FLANGE	
8	1	SWF2000C	2" NPSC STL WELD FLANGE, CURVED	



B

B

A

A

<b>AMERICAN MOBILE POWER</b> PH: (800) 634-8265 FAX: (765) 948-3403	DRAWING BY: BPKNIGHT	DESIGN FOR: A.M.P.	FILE NAME: A35100-ST	
	COMPLETED: 6/7/2007		SHEET: 3 of 5	SHEET SIZE: B

4

3

2

1