

4

3

2

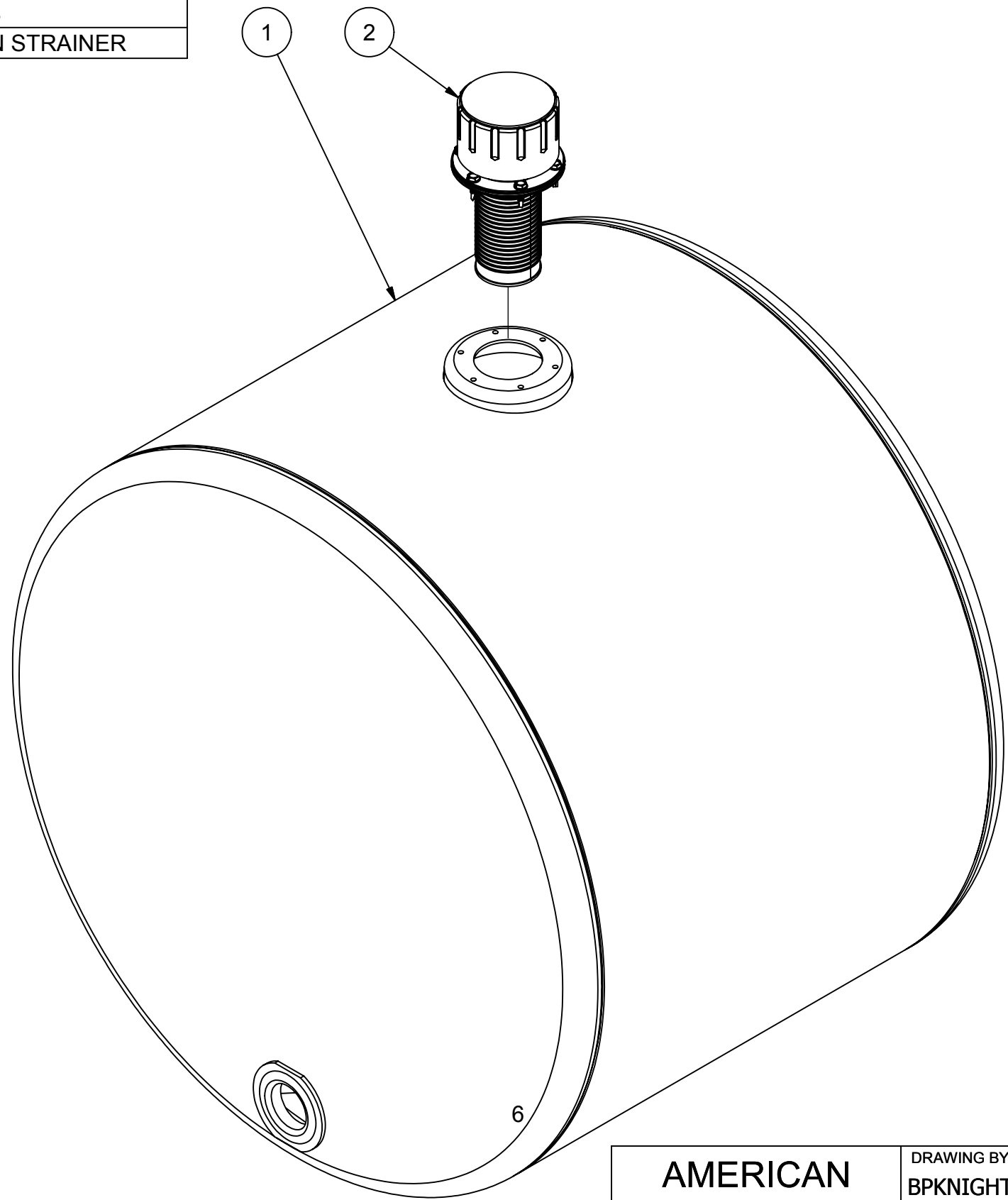
1

Parts List

ITEM	QTY	PART NUMBER	DESCRIPTION
1	1	N_A3535	NAM ASSEMBLY 59 1/8 lbs
2	1	57XL-40N	40 MICRON FILL W/NYLON STRAINER

B AMP PARTS INCLUDE:
 -AMK-624-C MOUNTING KIT
 -1 1/4" STEEL PORT PLUG

NOTES:
 -POWDER COAT BLACK
 -APPLY RUST INHIBITOR INSIDE
 -PLUG ALL PORTS FOR SHIPMENT



**AMERICAN
MOBILE POWER**
 PH: (800) 634-8265 FAX: (765) 948-3403

DRAWING BY:
BPKNIGHT
 COMPLETED:
3/24/2005

DESIGN FOR:
A.M.P.

FILE NAME:
A3535
 SHEET:
3 of 5
 SHEET SIZE:
B

4

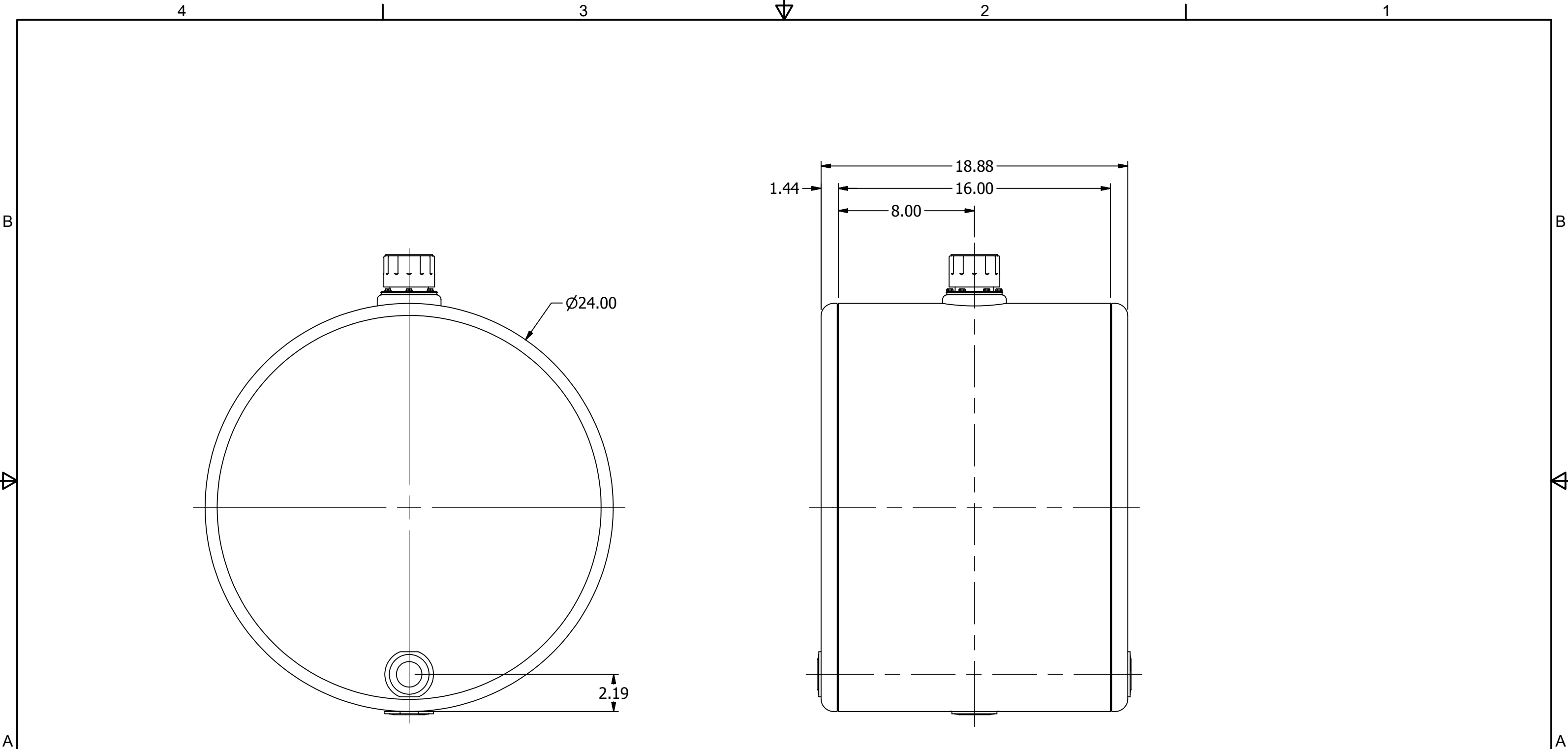
3

2

1

A

AA



AMERICAN MOBILE POWER PH: (800) 634-8265 FAX: (765) 948-3403	DRAWING BY: BPKNIGHT	DESIGN FOR: A.M.P.	FILE NAME: A3535	
	COMPLETED: 3/24/2005		SHEET: 2 of 5	SHEET SIZE: B

1	1	A3535WS	14 GA HRPO WRAP SHEET
2	1	AFA-302	3.75 FILL ASS'Y STEEL WELD FLANGE
3	3	DIFFUSER-ST	13 GA HRPO DIFFUSER
4	2	SS1250NS	24 IN, 13 GA HRPO HEAD
5	2	SWF1250	1 1/4" NPT WELD FLANGE
6	1	SWF1250C	1 1/4" NPT WELD FLANGE, CURVED

