

4

3

2

1

Parts List

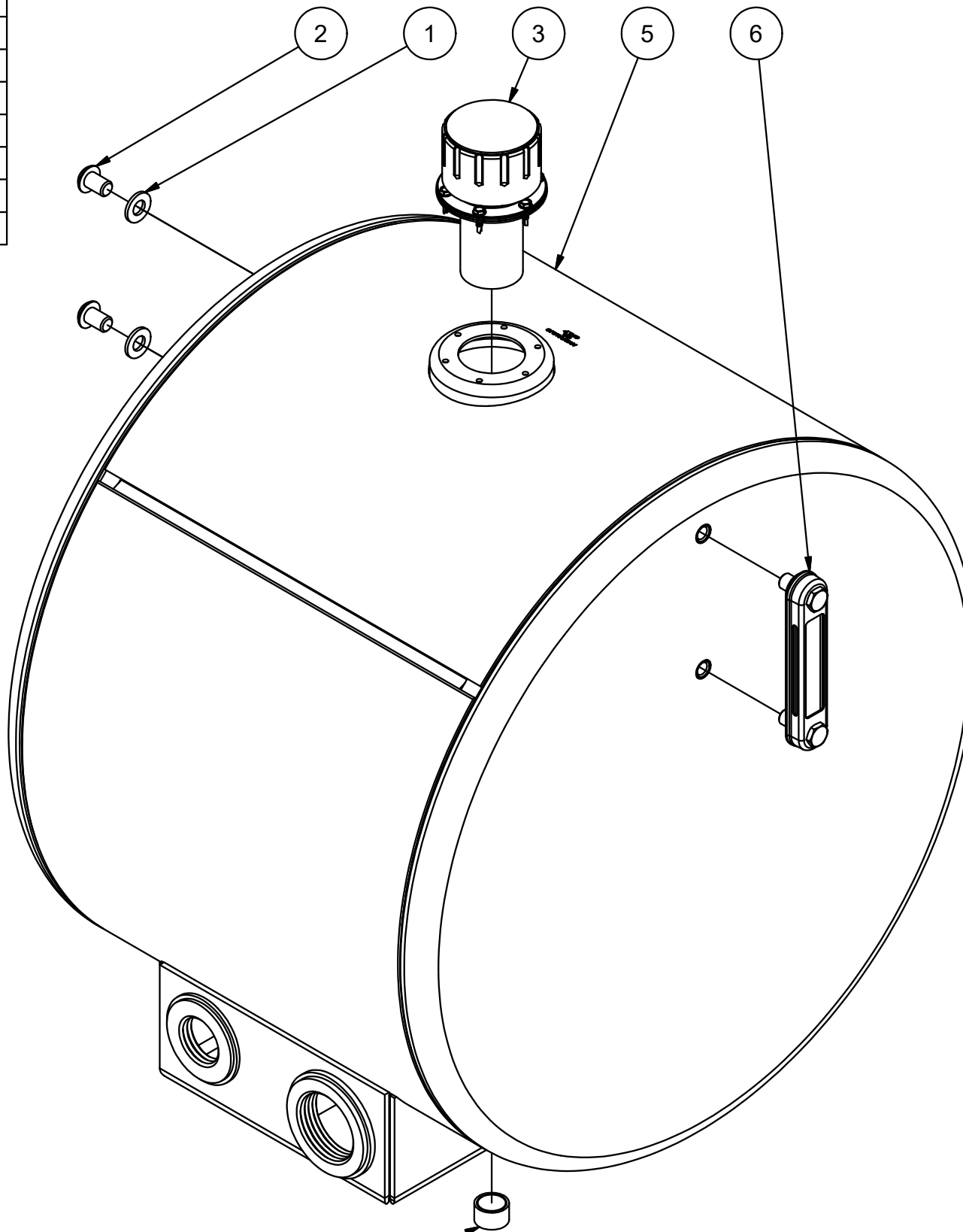
ITEM	QTY	PART NUMBER	DESCRIPTION
1	2	0500BBS	Black Buffer Seal 1.0 OD x .5 ID x .10 Neoprene
2	2	24107	Button Head, Hex, 1/2-13 UNC x 0.75
3	1	57XL-40	40 Micron FILL w/30 Mesh Stainless Strainer
4	1	APP0750-M	3/4" NPT MAG PLUG
5	1	N_A4535-DS90-ST	NAM WELDMENT ~26.68 lbs
6	1	T-LLG-5	SIGHT/TEMP. GAUGE, 5"

AMP PARTS INCLUDE:

-AMK-624-C MOUNTING KIT (STD) OR -S (UPGRADE)

NOTE:

-PLUG ALL PORTS FOR SHIPMENT



WT: ~27.73 lbs

DATE	SYM.	DESCRIPTION	BY
12-8-09	A	ADDED DRAIN & PLUG	BPK

REVISIONS

AMERICAN MOBILE POWER PH: (800) 634-8265 FAX: (765) 948-3403	DRAWING BY: BPKNIGHT	DESIGN FOR: AMP	FILE NAME: A4535-DS90-ST	
	COMPLETED: 2/24/2009		SHEET: 1 of 9	SHEET SIZE: B

4

3

2

1

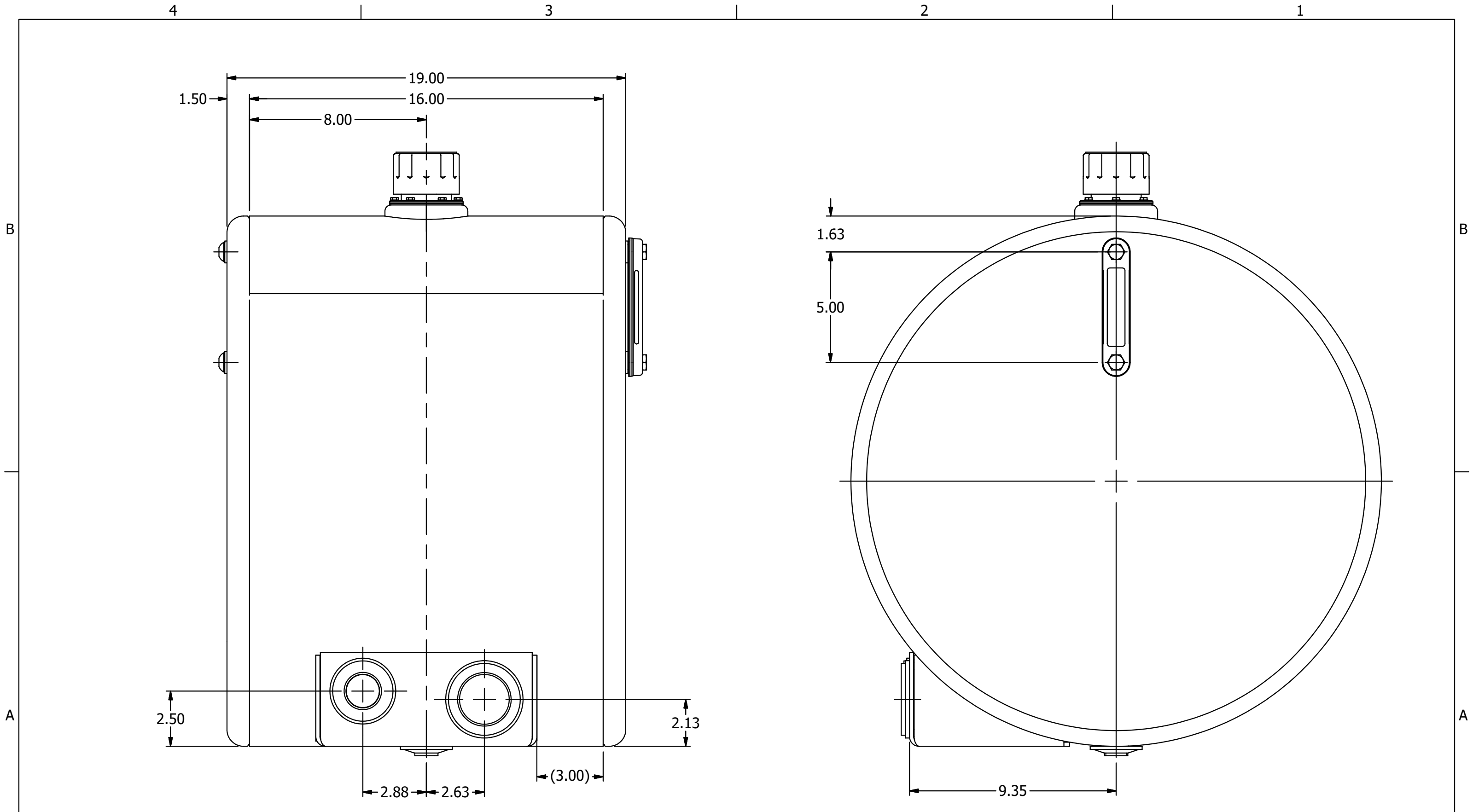
B

B

A

A

A



AMERICAN MOBILE POWER PH: (800) 634-8265 FAX: (765) 948-3403	DRAWING BY: BPKNIGHT	DESIGN FOR: AMP	FILE NAME: A4535-DS90-ST	
	COMPLETED: 2/24/2009		SHEET: 2 of 9	SHEET SIZE: B

4

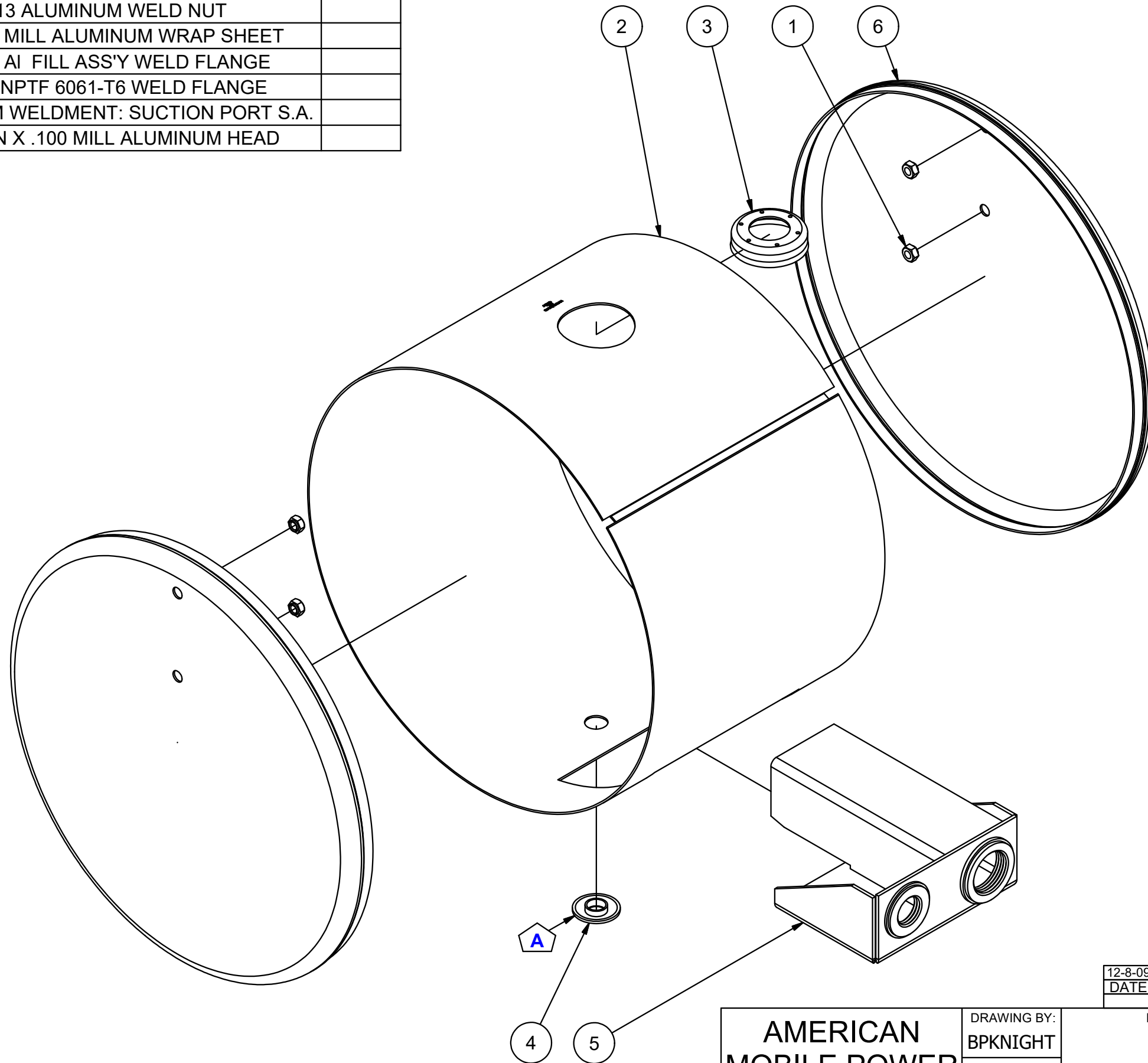
3

2

1

Parts List

ITEM	QTY	PART NUMBER	DESCRIPTION	Fab Qty
1	4	0500-13-AWN	1/2-13 ALUMINUM WELD NUT	
2	1	A4535-DS90WS	.100 MILL ALUMINUM WRAP SHEET	
3	1	AFA-401	.100 AI FILL ASS'Y WELD FLANGE	
4	1	AWF0750	3/4" NPTF 6061-T6 WELD FLANGE	
5	1	N_A4535-DS90SP	NAM WELDMENT: SUCTION PORT S.A.	
6	2	SA0000ST	24 IN X .100 MILL ALUMINUM HEAD	



B

B

A

A

DATE	SYM.	DESCRIPTION	BY
12-8-09	A	ADDED DRAIN & PLUG	BPK

REVISIONS

AMERICAN MOBILE POWER PH: (800) 634-8265 FAX: (765) 948-3403	DRAWING BY: BPKNIGHT	DESIGN FOR: AMP	FILE NAME: A4535-DS90-ST	
	COMPLETED: 2/24/2009		SHEET: 3 of 9	SHEET SIZE: B

4

3

2

1

4

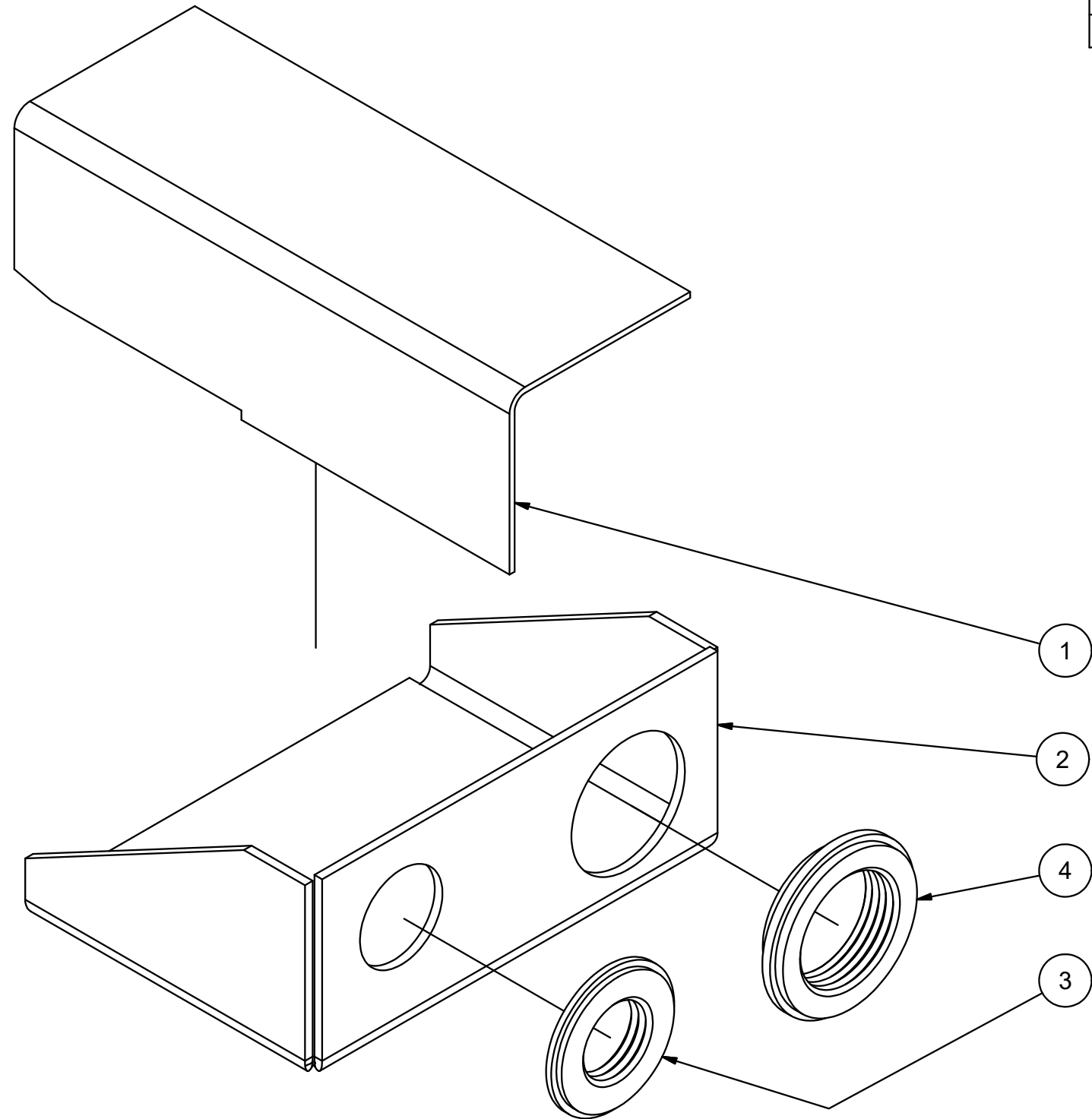
3

2

1

Parts List

ITEM	QTY	PART NUMBER	DESCRIPTION	Fab Qty
1	1	A4535-DS90SB	.125 MILL ALUMINUM SUCTION BAFFLE	
2	1	A4535-DS90SP	.188 MILL ALUMINUM SUCTION PORT	
3	1	AWF1250	1 1/4" NPT ALUMINUM WELD FLANGE	
4	1	AWF2000	2" NPT ALUMINUM WELD FLANGE	



B

B

A

A

4

3

2

1

AMERICAN MOBILE POWER <small>PH: (800) 634-8265 FAX: (765) 948-3403</small>	DRAWING BY: BPKNIGHT	DESIGN FOR: AMP	FILE NAME: A4535-DS90-ST	
	COMPLETED: 2/24/2009		SHEET: 4 of 9	SHEET SIZE: B