

4

3

2

1

Parts List

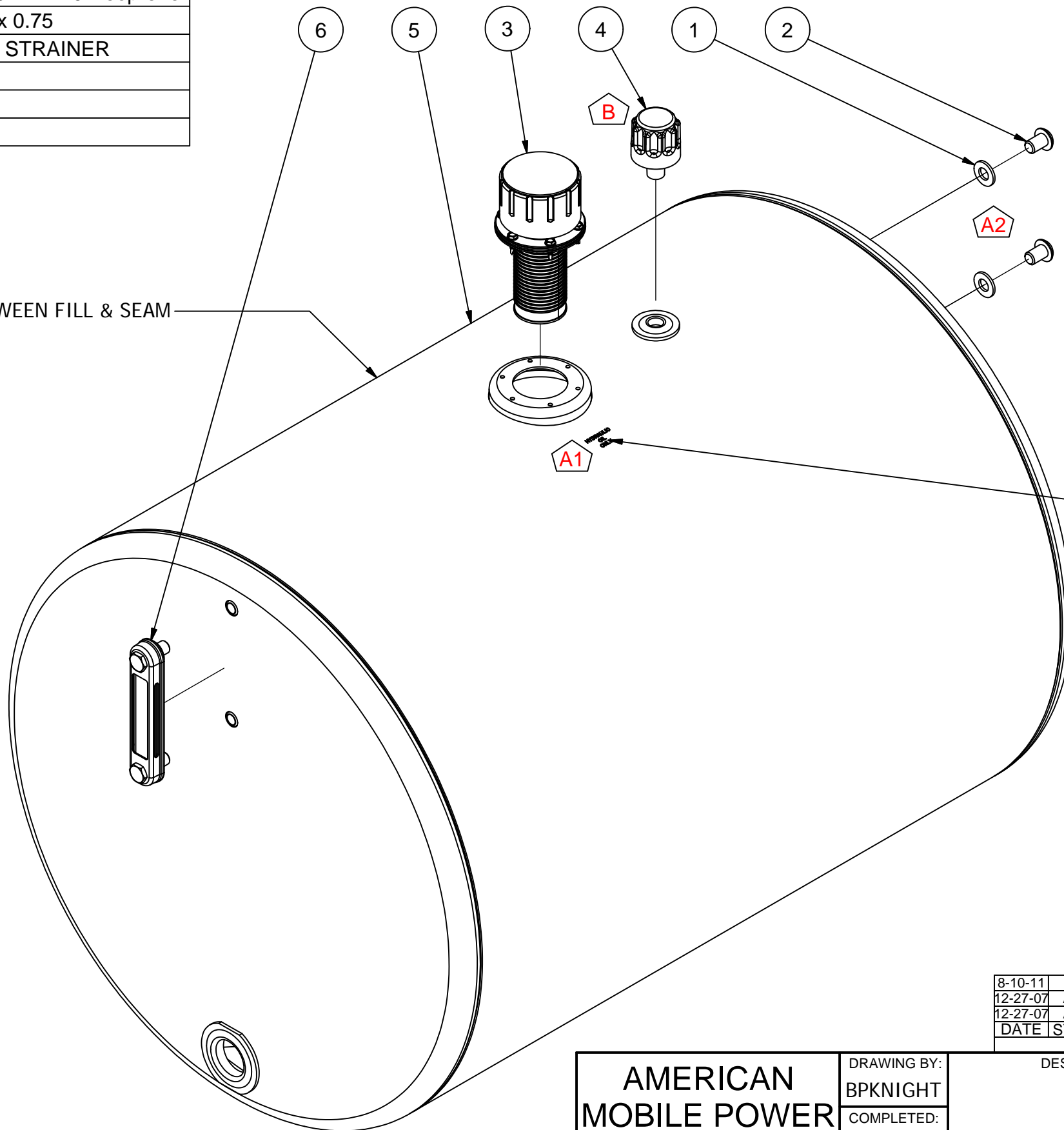
ITEM	QTY	PART NUMBER	DESCRIPTION
1	2	0500BBS	Black Buffer Seal 1.0 OD x .5 ID x .10 Neoprene
2	2	24107	Button Head, Hex, 0.5 UNC x 0.75
3	1	57XL-40N	40 MICRON FILL W/NYLON STRAINER
4	1	ABA-138	3/8" NPT VENT
5	1	N_A3560-ST	NAM WELDMENT ~82 lbs
6	1	T-LLG-5	SIGHT/TEMP. GAUGE, 5"

B

AMP PARTS INCLUDE:
 -AMK-624-C MOUNTING KIT
 -1 1/4" STEEL PORT PLUG

NOTE:
 -PLUG ALL PORTS FOR SHIPMENT

S/N BETWEEN FILL & SEAM



HYDRAULIC OIL ONLY

A

A

DATE	SYM.	DESCRIPTION	BY
8-10-11	B	UPDATE PART NUMBERS	BPK
12-27-07	A2	Was O-Ring, STL FLT Washer, Hex Hd Cap Screw	BPK
12-27-07	A1	ADDED "HYDRAULIC OIL ONLY" STAMP	

REVISIONS

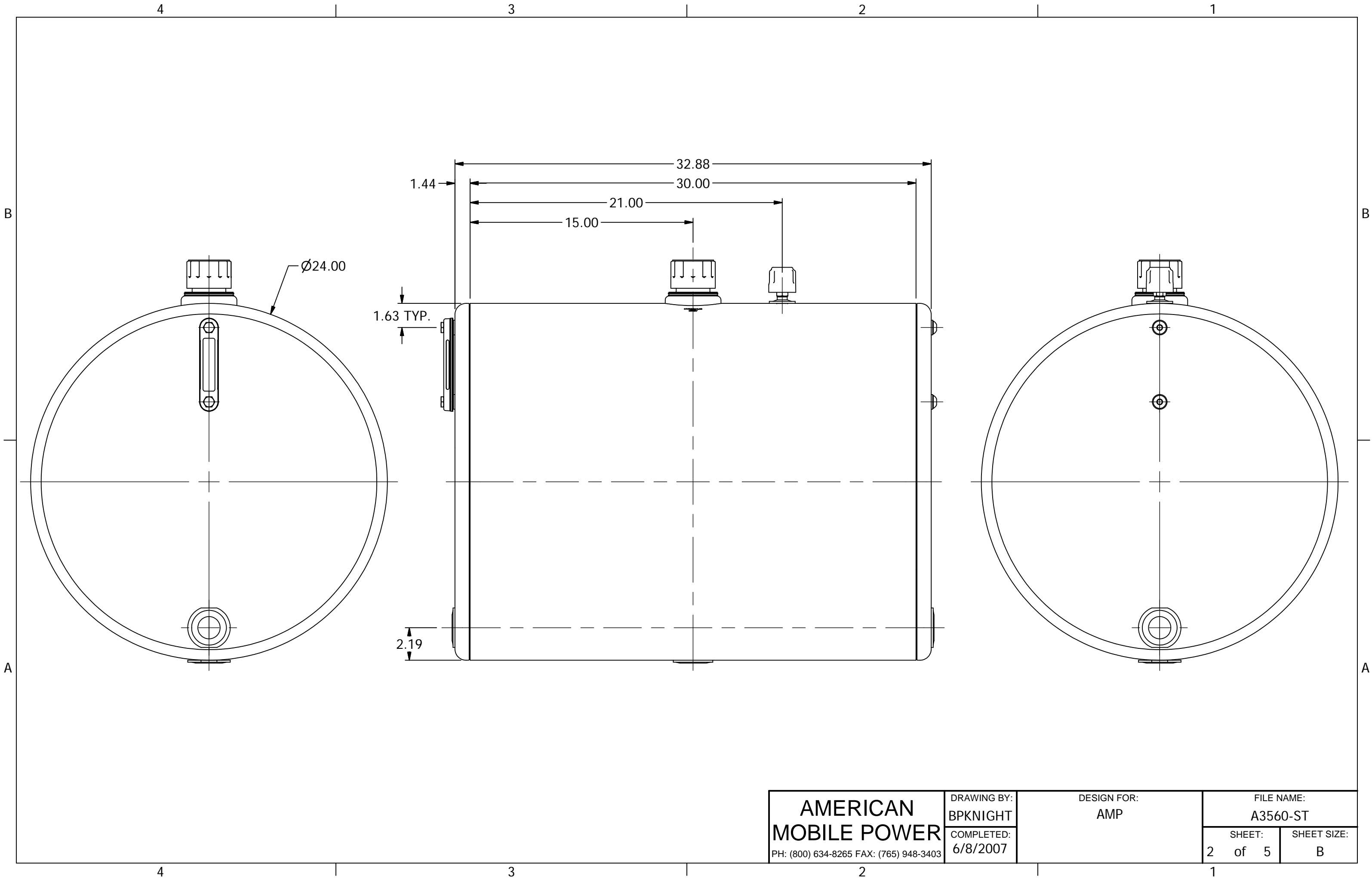
AMERICAN MOBILE POWER PH: (800) 634-8265 FAX: (765) 948-3403	DRAWING BY: BPKNIGHT	DESIGN FOR: AMP	FILE NAME: A3560-ST	
	COMPLETED: 6/8/2007		SHEET: 1 of 5	SHEET SIZE: B

4

3

2

1



AMERICAN MOBILE POWER <small>PH: (800) 634-8265 FAX: (765) 948-3403</small>	DRAWING BY: BPKNIGHT	DESIGN FOR: AMP	FILE NAME: A3560-ST	
	COMPLETED: 6/8/2007		SHEET: 2 of 5	SHEET SIZE: B

4

3

2

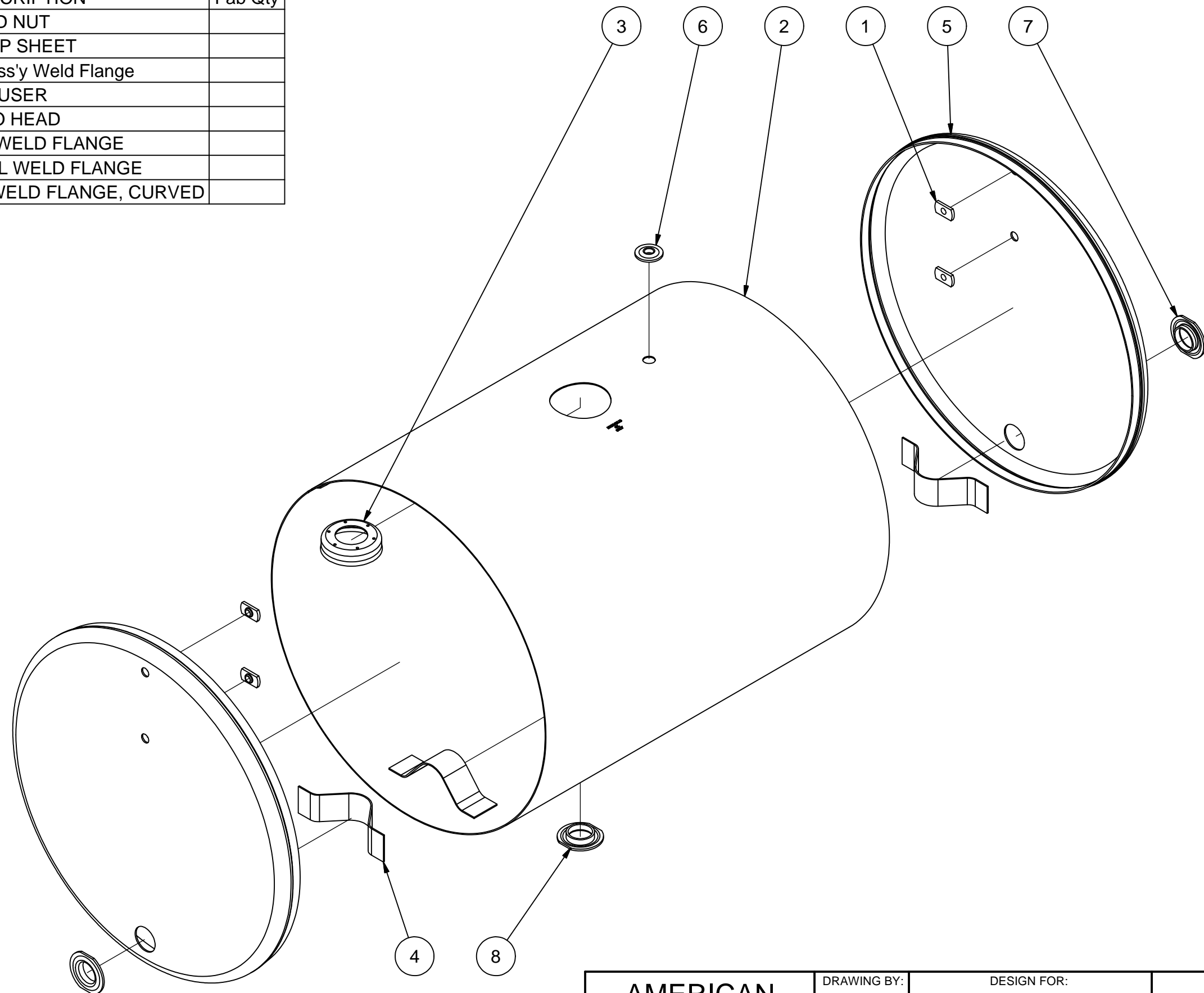
1

Parts List

ITEM	QTY	PART NUMBER	DESCRIPTION	Fab Qty
1	4	0500-13-FWN	1/2-13" UNC WELD NUT	
2	1	A3560WS	14 GA HRPO WRAP SHEET	
3	1	AFS-301	13 GA HRPO Fill Ass'y Weld Flange	
4	3	DIFFUSER-ST	13 GA HRPO DIFFUSER	
5	2	SS1250ST	24 IN, 13 GA HRPO HEAD	
6	1	SWF0375	3/8" NPTF STEEL WELD FLANGE	
7	2	SWF1250	1 1/4" NPSC STEEL WELD FLANGE	
8	1	SWF1250C	1 1/4" NPSC STL WELD FLANGE, CURVED	

NOTES:

- POWDER COAT BLACK
- APPLY RUST INHIBITOR INSIDE
- PLUG ALL PORTS FOR SHIPMENT



B

B

A

A

AMERICAN MOBILE POWER <small>PH: (800) 634-8265 FAX: (765) 948-3403</small>	DRAWING BY: BPKNIGHT	DESIGN FOR: AMP	FILE NAME: A3560-ST	
	COMPLETED: 6/8/2007		SHEET: 3 of 5	SHEET SIZE: B

4

3

2

1