

Parts List			
ITEM	QTY	PART NUMBER	DESCRIPTION
1	4	13309	5/8-11 UNC x 1.5 Hex Cap Screw
2	8	33016	1 3/4 x 11/16 x 1/8 Thk Steel Plain Washer
3	4	37036	5/8 Std NC Nylock Nut
4	1	57XL-40N	40 MICRON FILL W/NYLON STRAINER
5	1	AFC-507	FILTER PORT COVER 6.25 DIA. B.C.
6	2	AMA-14MFG-2L	2 x 2 x 1/4" MFG ANGLE, 2 Legs Punched
7	1	APP0750-M	3/4" NPT MAG PLUG
8	1	LIT-1250-10P *	Return Filter 1 1/4" NPT 10 Micron/25 psi Bypass
9	1	N_A320SL	14.78W20.2H17.25D NAM WELDMNT ~90 lbs
10	1	T-LLG-5	SIGHT/TEMP. GAUGE, 5"

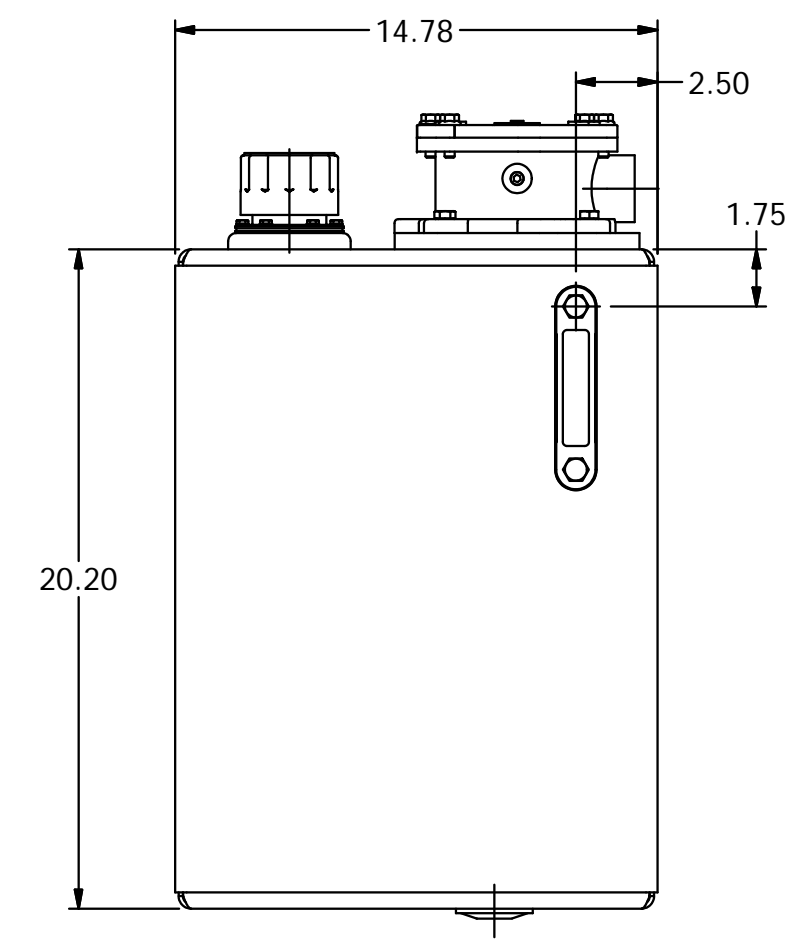
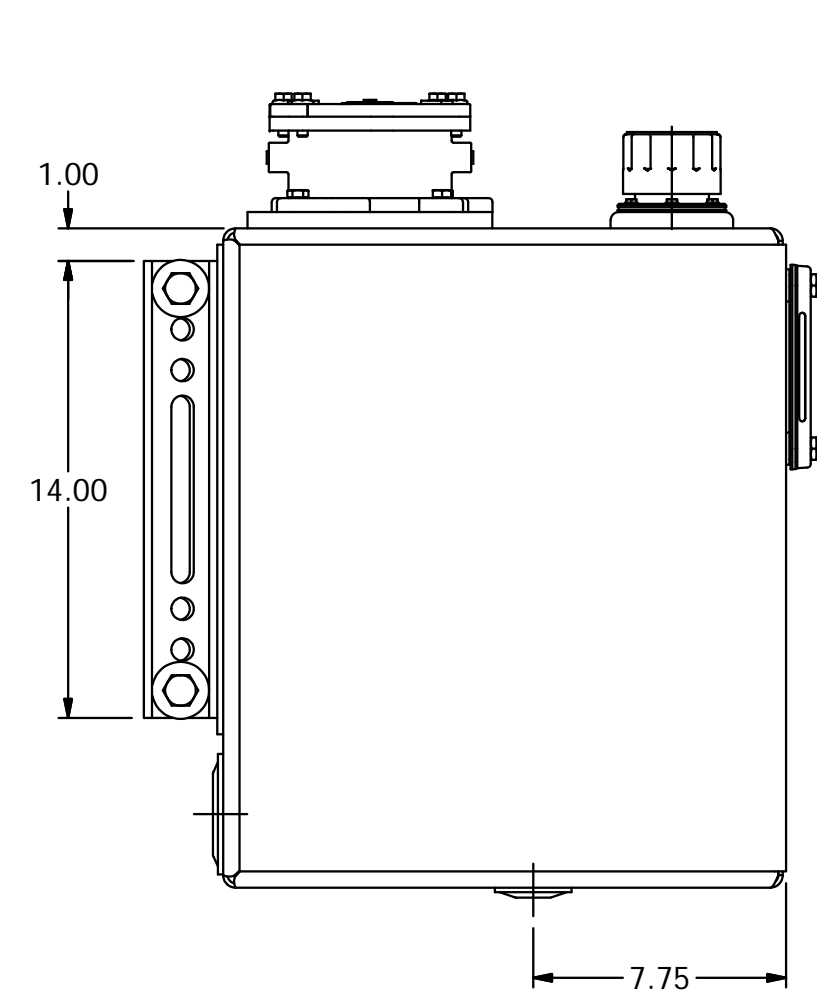
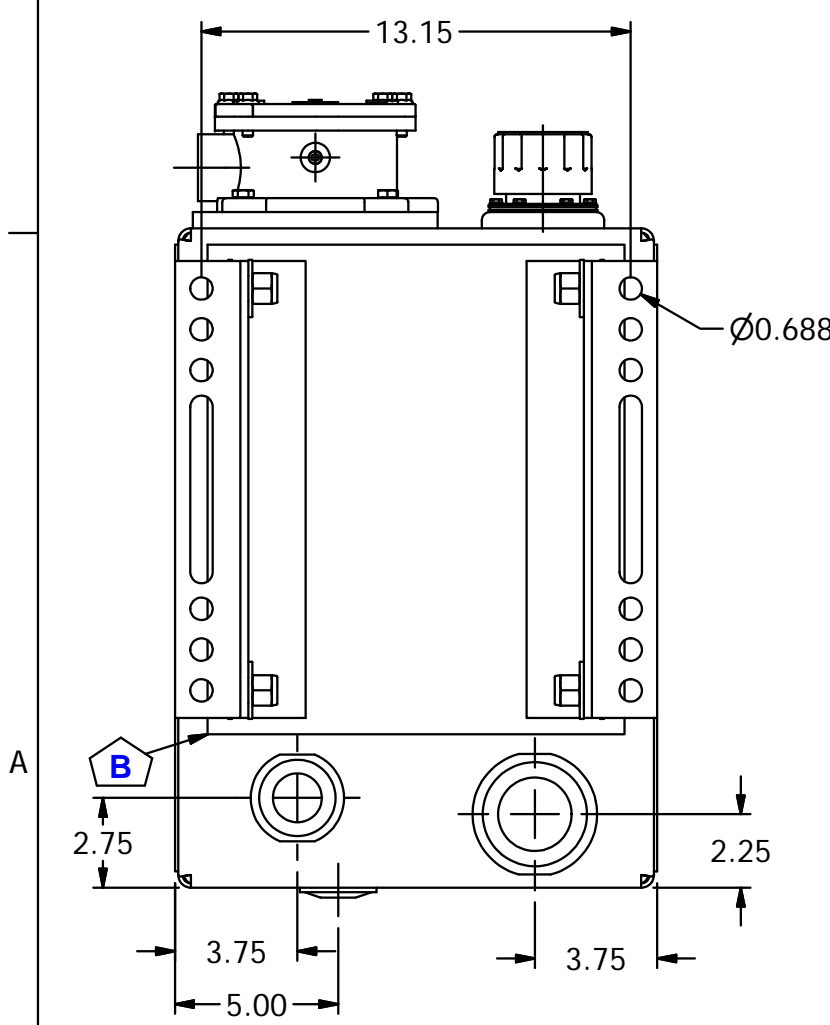
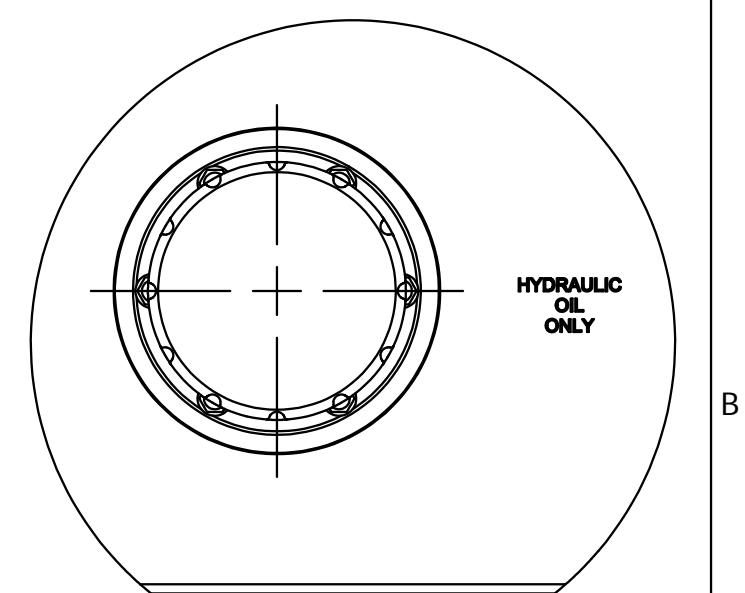
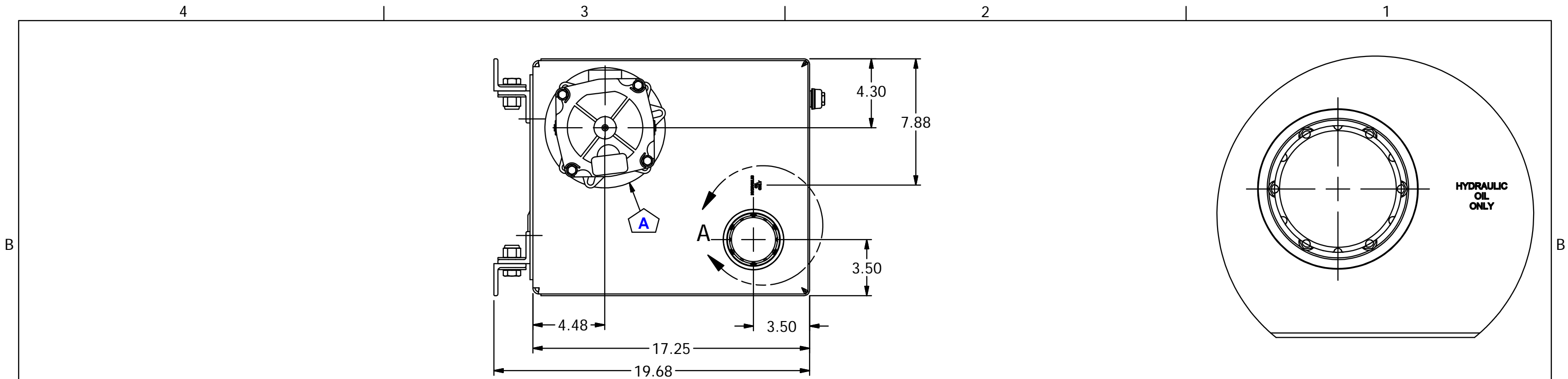
* OPTIONAL RETURN FILTER SHOWN FOR REFERENCE
STANDARD TANK SHIPS WITH AFC-507 PORT COVER

NOTES:
-POWDER COAT BLACK
-APPLY RUST INHIBITOR INSIDE
-PLUG ALL PORTS FOR SHIPMENT

ANGLES AND FASTENERS SHIP LOOSE

DATE	SYM.	DESCRIPTION	BY
11-4-13	B	ADD SUPPORT PLATE; REV. BAFFLE	BPK
4-19-12	A	AFF-3-1250 REPLACES 0375-16-FWN's	BPK

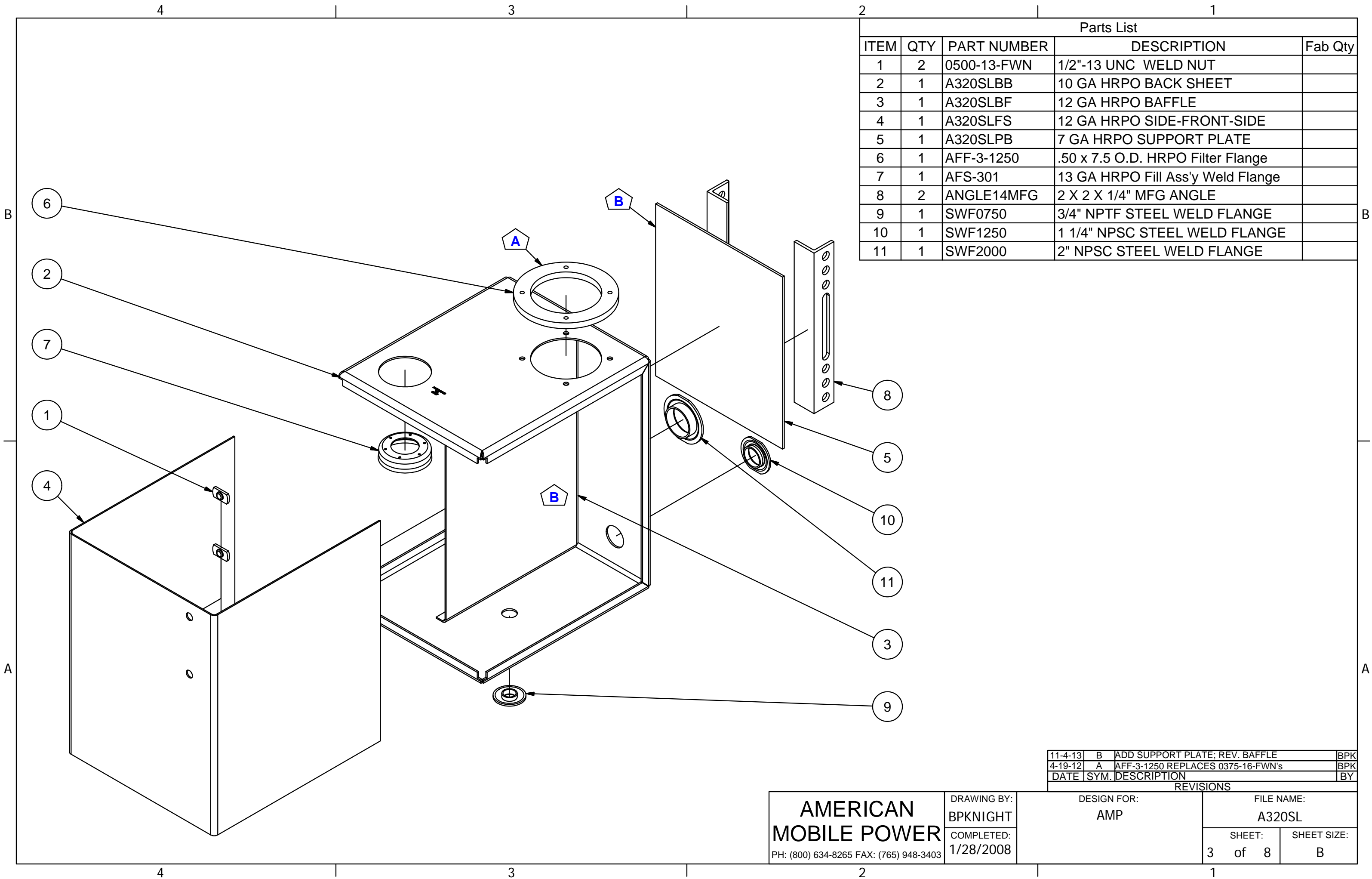
AMERICAN MOBILE POWER PH: (800) 634-8265 FAX: (765) 948-3403	DRAWING BY: BPKNIGHT	DESIGN FOR: AMP	FILE NAME: A320SL	
	COMPLETED: 1/28/2008		SHEET: 1 of 8	SHEET SIZE: B



DETAIL A

DATE	SYM.	DESCRIPTION	BY
11-4-13	B	ADD SUPPORT PLATE; REV. BAFFLE	BPK
4-19-12	A	AFF-3-1250 REPLACES 0375-16-FWN's	BPK

AMERICAN MOBILE POWER PH: (800) 634-8265 FAX: (765) 948-3403	DRAWING BY: BPKNIGHT	DESIGN FOR: AMP	FILE NAME: A320SL	
	COMPLETED: 1/28/2008		SHEET: 2 of 8	SHEET SIZE: B



Parts List				
ITEM	QTY	PART NUMBER	DESCRIPTION	Fab Qty
1	2	0500-13-FWN	1/2"-13 UNC WELD NUT	
2	1	A320SLBB	10 GA HRPO BACK SHEET	
3	1	A320SLBF	12 GA HRPO BAFFLE	
4	1	A320SLFS	12 GA HRPO SIDE-FRONT-SIDE	
5	1	A320SLPB	7 GA HRPO SUPPORT PLATE	
6	1	AFF-3-1250	.50 x 7.5 O.D. HRPO Filter Flange	
7	1	AFS-301	13 GA HRPO Fill Ass'y Weld Flange	
8	2	ANGLE14MFG	2 X 2 X 1/4" MFG ANGLE	
9	1	SWF0750	3/4" NPTF STEEL WELD FLANGE	
10	1	SWF1250	1 1/4" NPSC STEEL WELD FLANGE	
11	1	SWF2000	2" NPSC STEEL WELD FLANGE	

DATE	SYM.	DESCRIPTION	BY
11-4-13	B	ADD SUPPORT PLATE; REV. BAFFLE	BPK
4-19-12	A	AFF-3-1250 REPLACES 0375-16-FWN's	BPK

REVISIONS

AMERICAN MOBILE POWER PH: (800) 634-8265 FAX: (765) 948-3403	DRAWING BY: BPKNIGHT	DESIGN FOR: AMP	FILE NAME: A320SL	
	COMPLETED: 1/28/2008		SHEET: 3 of 8	SHEET SIZE: B