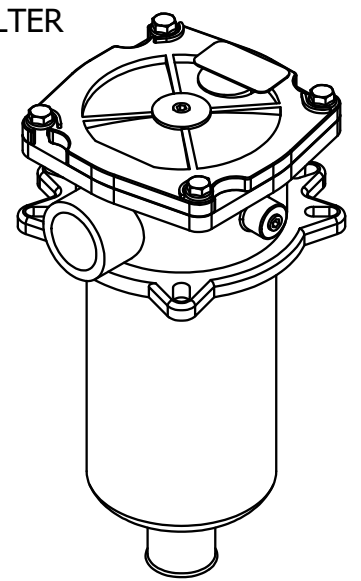


| Parts List |     |              |   |
|------------|-----|--------------|---|
| ITEM       | QTY | PART NUMBER  | DESCRIPTION                                 |
| 1          | 4   | 13309        | 5/8-11 UNC x 1.5 Hex Cap Screw              |
| 2          | 8   | 33016        | 1 3/4 x 11/16 x 1/8 Thk Steel Plain Washer  |
| 3          | 4   | 37036        | 5/8 Std NC Nylock Nut                       |
| 4          | 1   | 57XL-40      | 40 Micron FILL w/30 Mesh Stainless Strainer |
| 5          | 1   | AFC-507      | FILTER PORT COVER 6.25 DIA. B.C.            |
| 6          | 2   | AMA-14MFG-2L | 2 x 2 x 1/4" MFG ANGLE, 2 Legs Punched      |
| 7          | 1   | APP0750-M    | 3/4" NPT MAG PLUG                           |
| 8          | 1   | N_A330SL     | 14.78W25H19D NAM WELDMENT ~108 1/2 lbs      |
| 9          | 1   | T-LLG-5      | SIGHT/TEMP. GAUGE, 5"                       |

\* ON ORDER ONLY: LIT-1250-10P IN-TANK RETURN FILTER

- NOTES:  
 -POWDER COAT BLACK  
 -APPLY RUST INHIBITOR INSIDE  
 -PLUG ALL PORTS FOR SHIPMENT

ANGLES AND FASTENERS SHIP LOOSE



STAMP SERIAL No. HERE

WT: ~118.5 lbs

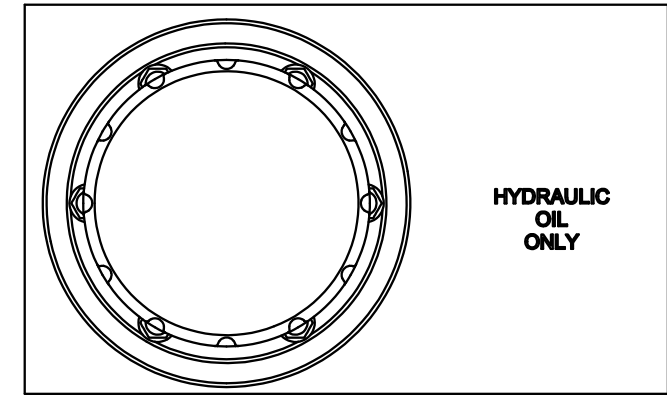
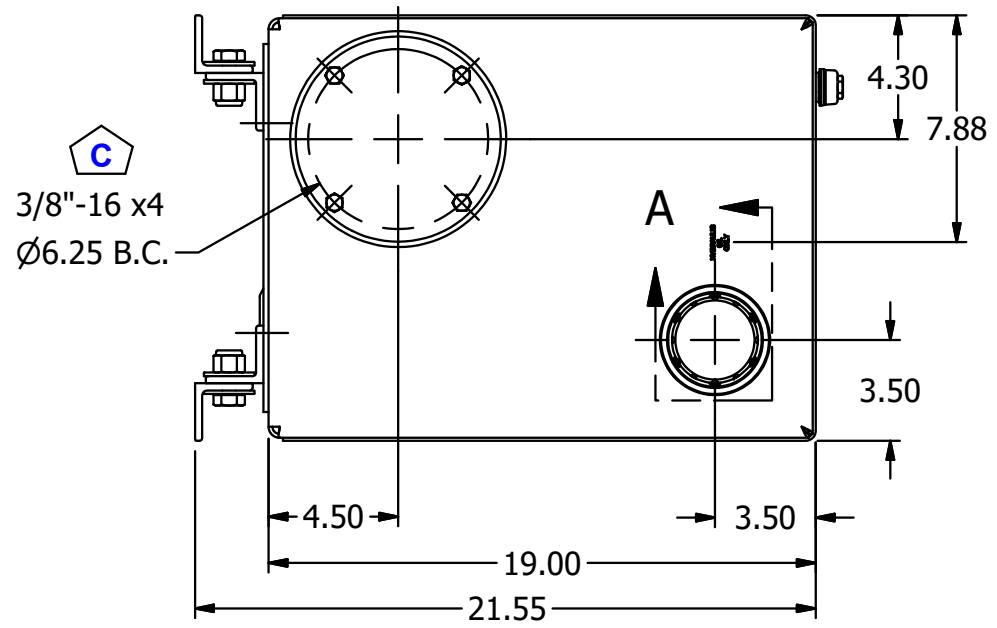
| DATE     | SYM. | DESCRIPTION                       | BY  |
|----------|------|-----------------------------------|-----|
| 9-13-18  | N/A  | ADDED S/N NOTE                    | BPK |
| 11-24-15 | C    | DEL. OPTIONAL FILTER; SHOW COVER  | BPK |
| 10-29-13 | B    | ADD SUPPORT PLATE; REV. BAFFLE    | BPK |
| 4-19-12  | A    | AFF-3-1250 REPLACES 0375-16-FWN's | BPK |

|  |                                |                           |                             |                         |
|--|--------------------------------|---------------------------|-----------------------------|-------------------------|
| <b>AMERICAN<br/>MOBILE POWER</b><br>PH: (800) 634-8265 FAX: (765) 948-3403 | DRAWING BY:<br><b>BPKNIGHT</b> | DESIGN FOR:<br><b>AMP</b> | FILE NAME:<br><b>A330SL</b> |                         |
|  | COMPLETED:<br><b>1/25/2008</b> |                           | SHEET:<br><b>1 of 9</b>     | SHEET SIZE:<br><b>B</b> |

4 3 2 1

B

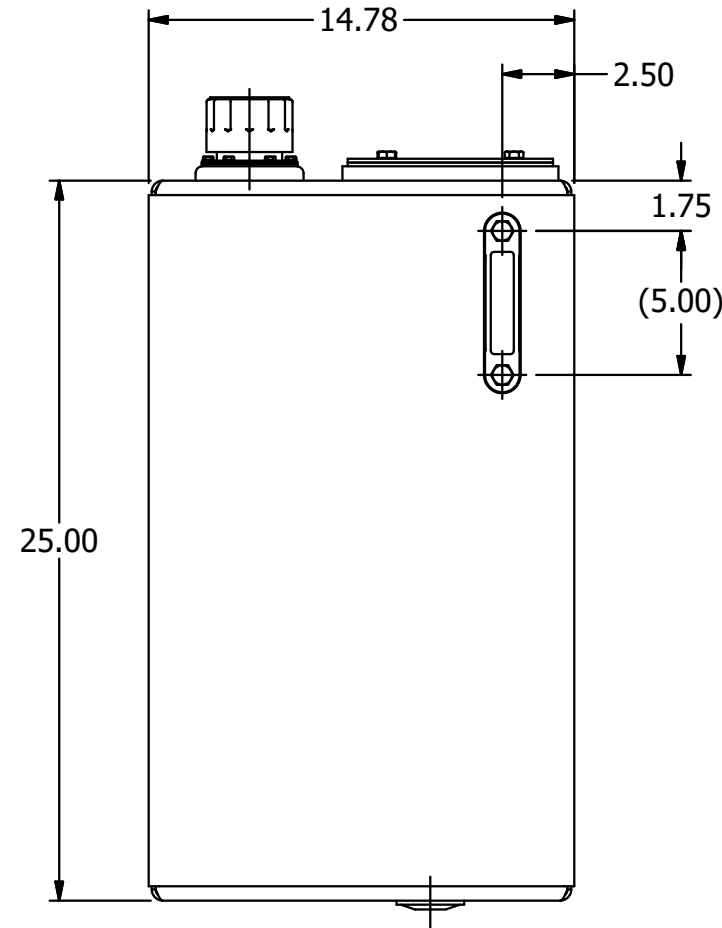
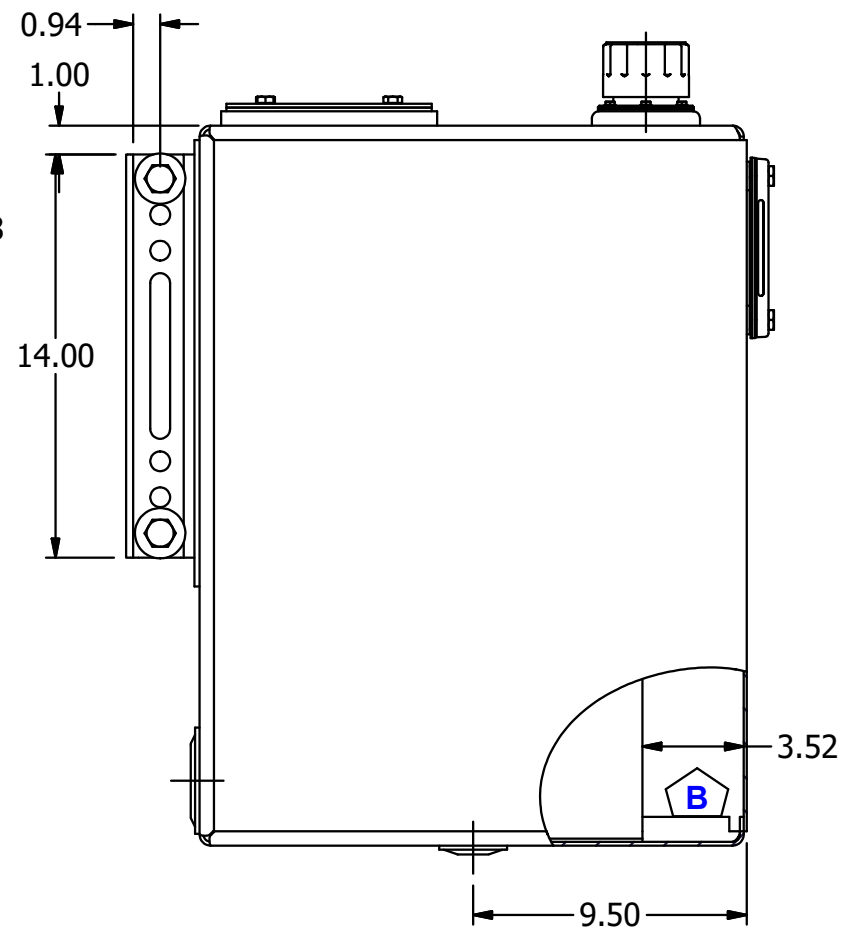
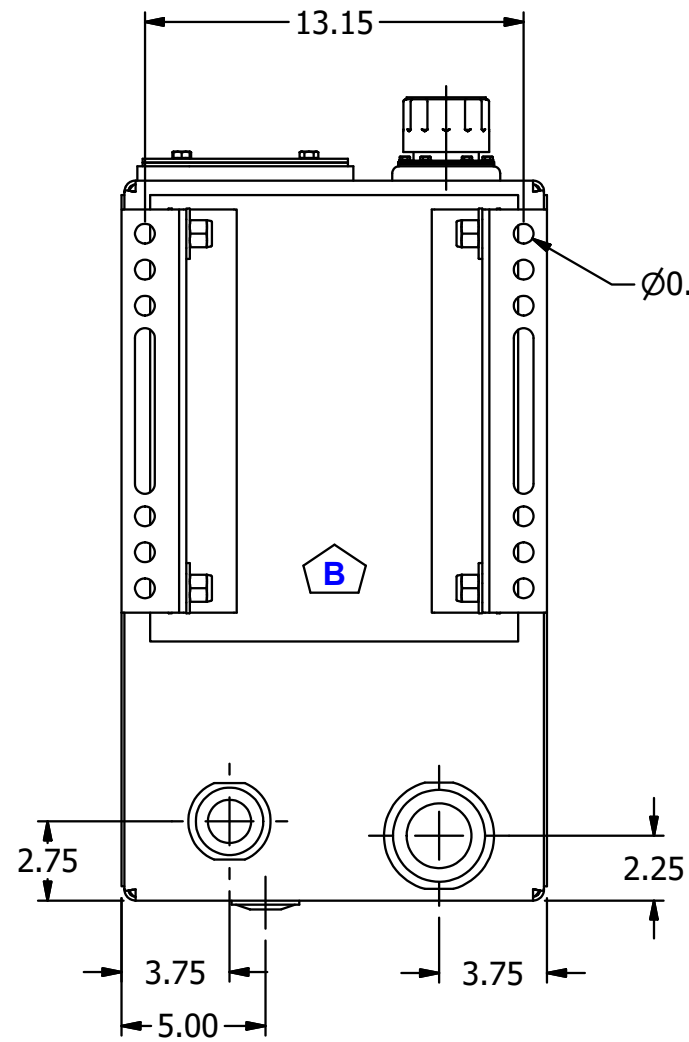
B



DETAIL A

A

A



| DATE     | SYM. | DESCRIPTION                      | BY  |
|----------|------|----------------------------------|-----|
| 11-24-15 | C    | DEL. OPTIONAL FILTER; SHOW COVER | BPK |
| 10-29-13 | B    | ADD SUPPORT PLATE; REV. BAFFLE   | BPK |

REVISIONS

|  |                         |                    |                      |                  |
|--|-------------------------|--------------------|----------------------|------------------|
| <b>AMERICAN<br/>MOBILE POWER</b><br>PH: (800) 634-8265 FAX: (765) 948-3403 | DRAWING BY:<br>BPKNIGHT | DESIGN FOR:<br>AMP | FILE NAME:<br>A330SL |                  |
|  | COMPLETED:<br>1/25/2008 |                    | SHEET:<br>2 of 9     | SHEET SIZE:<br>B |

4 3 2 1

4

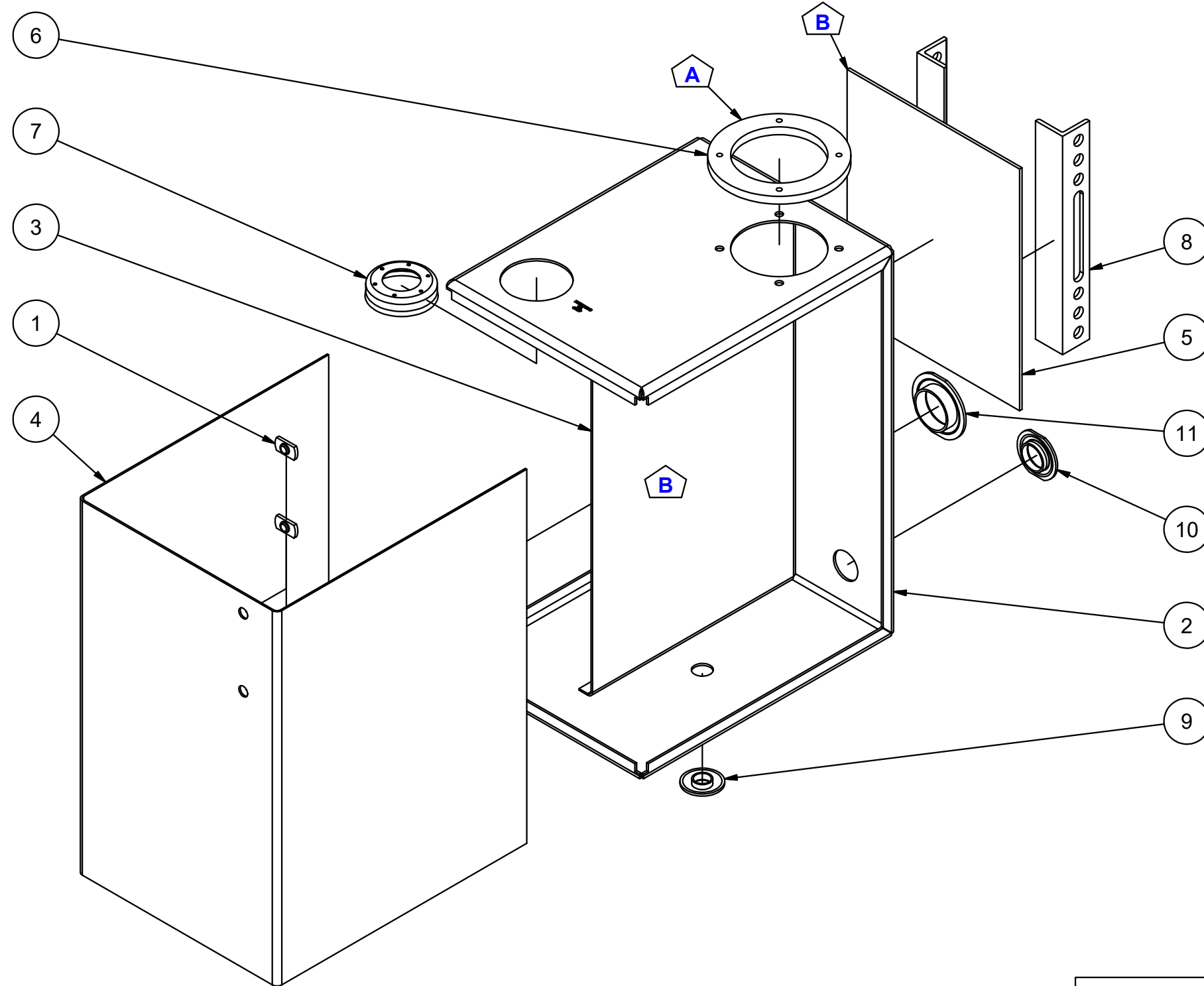
3

2

1

Parts List

| ITEM | QTY | PART NUMBER | DESCRIPTION                       | Fab Qty |
|------|-----|-------------|-----------------------------------|---------|
| 1    | 2   | 0500-13-FWN | 1/2"-13 UNC WELD NUT              |         |
| 2    | 1   | A330SLBB    | 10 GA HRPO BACK SHEET             |         |
| 3    | 1   | A330SLBF    | 12 GA HRPO BAFFLE                 |         |
| 4    | 1   | A330SLFS    | 12 GA HRPO SIDE-FRONT-SIDE        |         |
| 5    | 1   | A330SLPB    | 7 GA HRPO SUPPORT PLATE           |         |
| 6    | 1   | AFF-3-1250  | .50 x 7.5 O.D. HRPO Filter Flange |         |
| 7    | 1   | AFS-301     | 13 GA HRPO Fill Ass'y Weld Flange |         |
| 8    | 2   | ANGLE14MFG  | 2 X 2 X 1/4" MFG ANGLE            |         |
| 9    | 1   | SWF0750     | 3/4" NPTF STEEL WELD FLANGE       |         |
| 10   | 1   | SWF1250     | 1 1/4" NPSC STEEL WELD FLANGE     |         |
| 11   | 1   | SWF2000     | 2" NPSC STEEL WELD FLANGE         |         |



| DATE     | SYM | DESCRIPTION                       | BY  |
|----------|-----|-----------------------------------|-----|
| 10-29-13 | B   | ADD SUPPORT PLATE; REV. BAFFLE    | BPK |
| 4-19-12  | A   | AFF-3-1250 REPLACES 0375-16-FWN's | BPK |

REVISIONS

|  |                         |                    |                      |
|--|-------------------------|--------------------|----------------------|
| <b>AMERICAN<br/>MOBILE POWER</b><br>PH: (800) 634-8265 FAX: (765) 948-3403 | DRAWING BY:<br>BPKNIGHT | DESIGN FOR:<br>AMP | FILE NAME:<br>A330SL |
|  | COMPLETED:<br>1/25/2008 |                    | SHEET:<br>3 of 9     |
|  |                         |                    | SHEET SIZE:<br>B     |

4

3

2

1

B

B

A

A