

Parts List			
ITEM	QTY	PART NUMBER	DESCRIPTION
1	1	57XL-40	40 Micron FILL w/30 Mesh Stainless Strainer
2	1	APP0750-M	3/4" NPT MAG PLUG
3	1	APP1000	1" NPT PLUG
C 4	1	APP1250	1 1/4" NPT SQUARE SOCKET PLUG
5	1	N_A3107	NAM WELDMENT ~33 1/2 lbs
6	1	T-LLG-5	SIGHT/TEMP. GAUGE, 5"

NOTES:
 -POWDER COAT BLACK
 -APPLY RUST INHIBITOR INSIDE
 -PLUG ALL PORTS FOR SHIPMENT

STAMP SERIAL No. HERE

HYDRAULIC OIL ONLY

WT: ~35 lbs

DATE	SYM.	DESCRIPTION	BY
9-13-18	N/A	ADDED S/N NOTE	BPK
7-11-18	N/A	ADDED SERIAL No. NOTE	BPK
2-7-12	C	UPDATED PART NUMBERS	BPK
9-15-10	B	LOWERED SUCTION PORTS 3.5"	BPK
7-31-07	A	ADDED "HYDRAULIC OIL ONLY" STAMP	BPK
4-10-06	N/A	DEMOTED TANK ASSEMBLY TO N_A3107	BPK

AMERICAN MOBILE POWER PH: (800) 634-8265 FAX: (765) 948-3403	DRAWING BY: BPKNIGHT	DESIGN FOR: AMP	FILE NAME: A3107	
	COMPLETED: 9/22/2005		SHEET: 1 of 7	SHEET SIZE: B

4

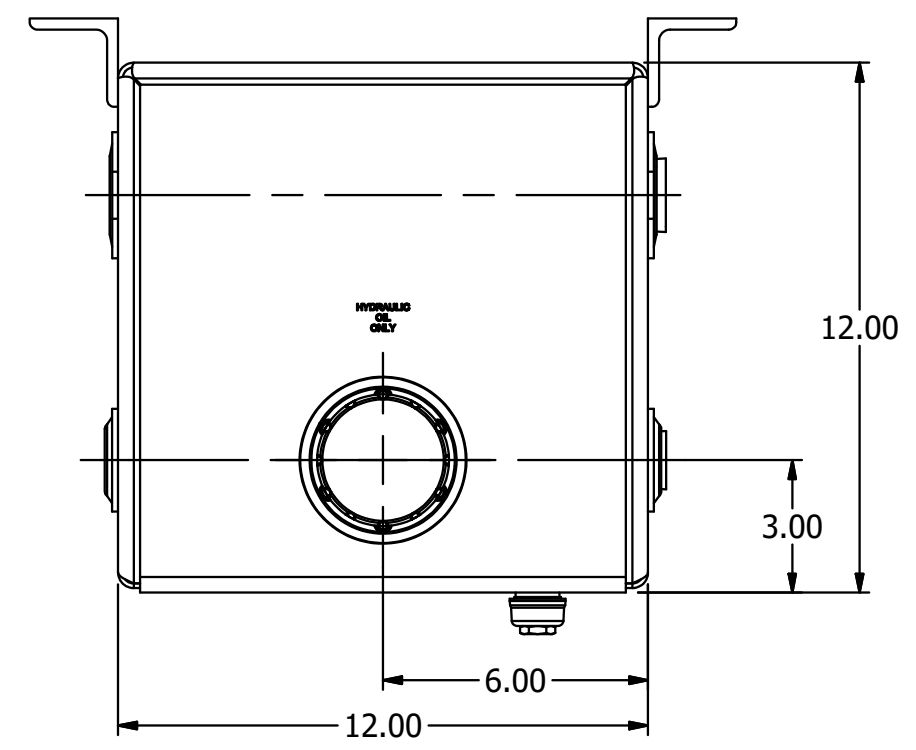
3

2

1

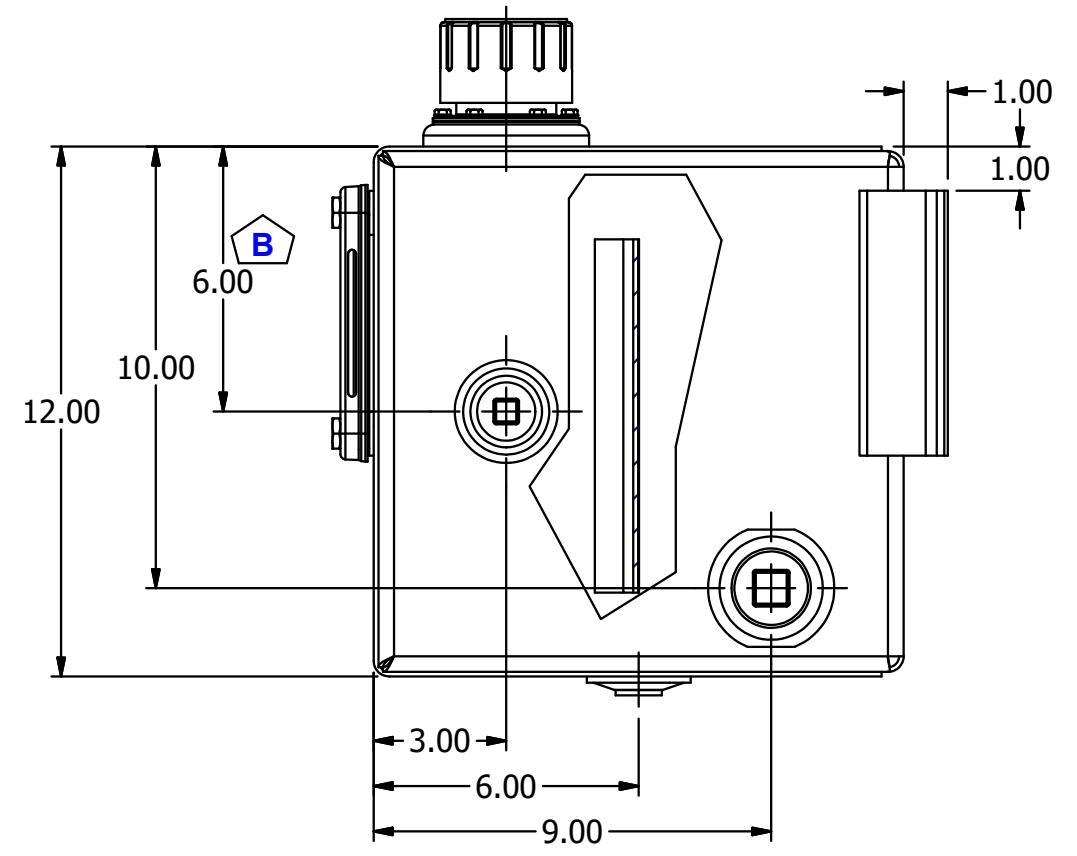
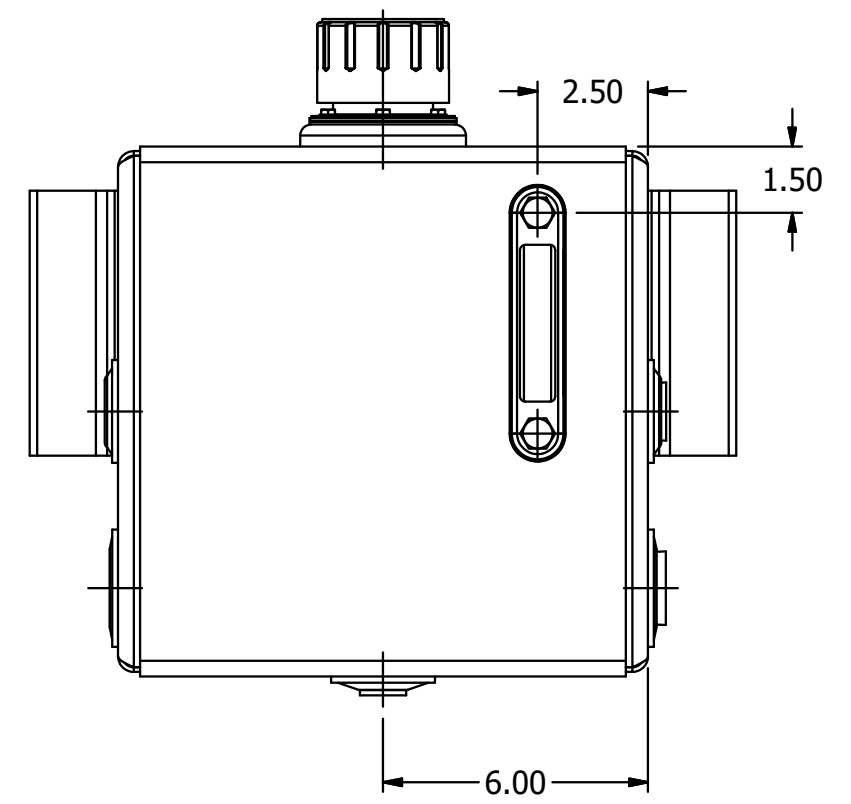
B

B



A

A



9-15-10	B	LOWERED SUCTION PORTS 3.5"	BPK
DATE	SYM.	DESCRIPTION	BY

REVISIONS			
DESIGN FOR:		FILE NAME:	
AMP		A3107	
SHEET:		SHEET SIZE:	
2 of 7		B	

AMERICAN MOBILE POWER

PH: (800) 634-8265 FAX: (765) 948-3403

DRAWING BY: **BPKNIGHT**

COMPLETED: **9/22/2005**

4

3

2

1

4

3

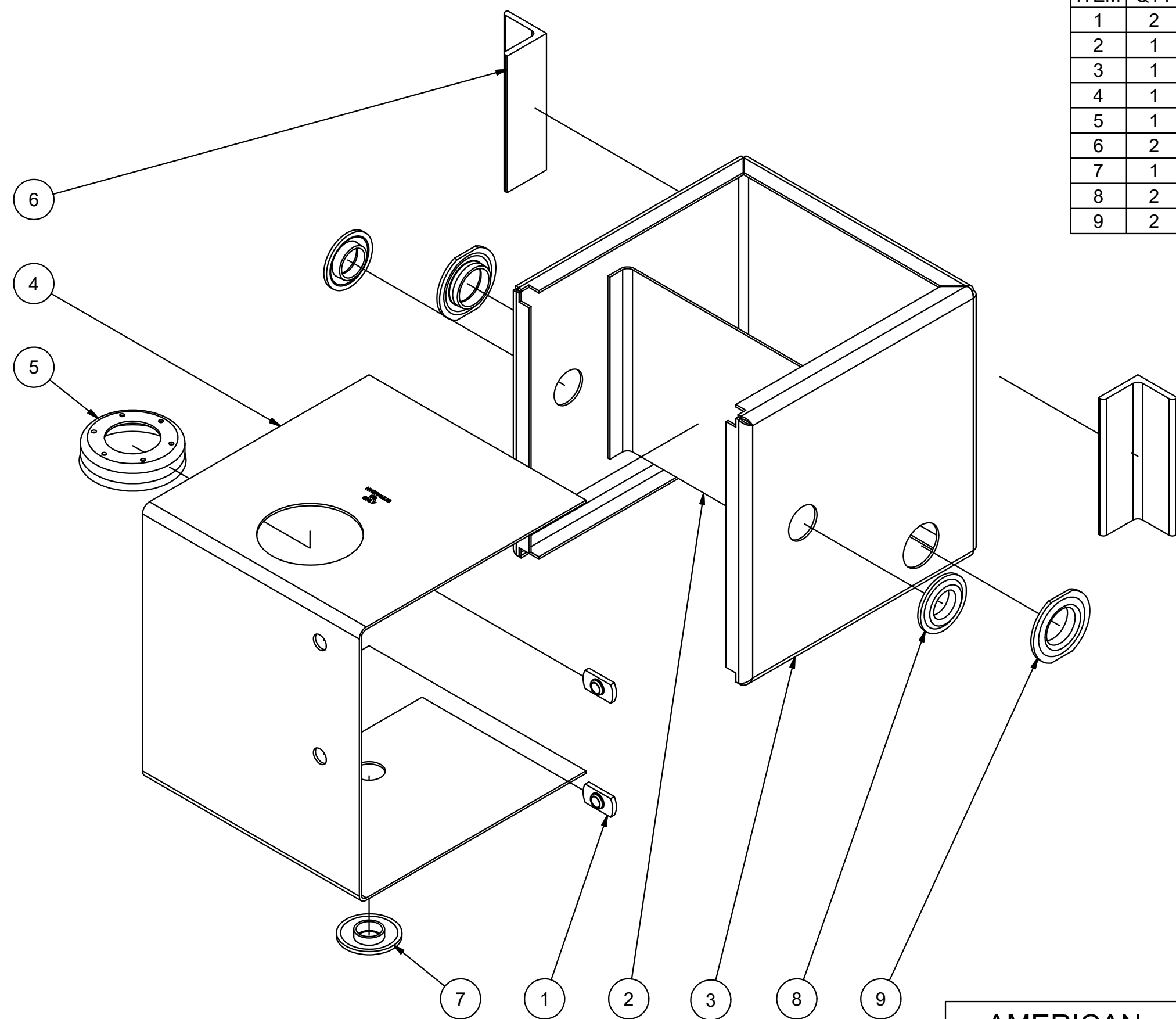
2

1

Parts List				
ITEM	QTY	PART NUMBER	DESCRIPTION	Fab Qty
1	2	0500-13-FWN	1/2"-13 UNC WELD NUT	
2	1	A3107BF	12 GA HRPO BAFFLE	
3	1	A3107BS	12 GA HRPO SIDE-BACK-SIDE	
4	1	A3107FS	12 GA HRPO TOP-FRONT-BOTTOM	
5	1	AFS-301	13 GA HRPO Fill Ass'y Weld Flange	
6	2	ANGLE-6IN	2 x 2 x 1/4 x 6 LG ANGLE	
7	1	SWF0750	3/4" NPTF STEEL WELD FLANGE	
8	2	SWF1000	1" NPTF STEEL WELD FLANGE	
9	2	SWF1250	1 1/4" NPSC STEEL WELD FLANGE	

B

B



A

A

4

3

2

1

DATE	SYM.	DESCRIPTION	BY
4-10-06	N/A	ADDED SHEET	BPK

REVISIONS

AMERICAN MOBILE POWER PH: (800) 634-8265 FAX: (765) 948-3403	DRAWING BY: BPKNIGHT	DESIGN FOR: AMP	FILE NAME: A3107	
	COMPLETED: 9/22/2005		SHEET: 3 of 7	SHEET SIZE: B