

4

3

2

1

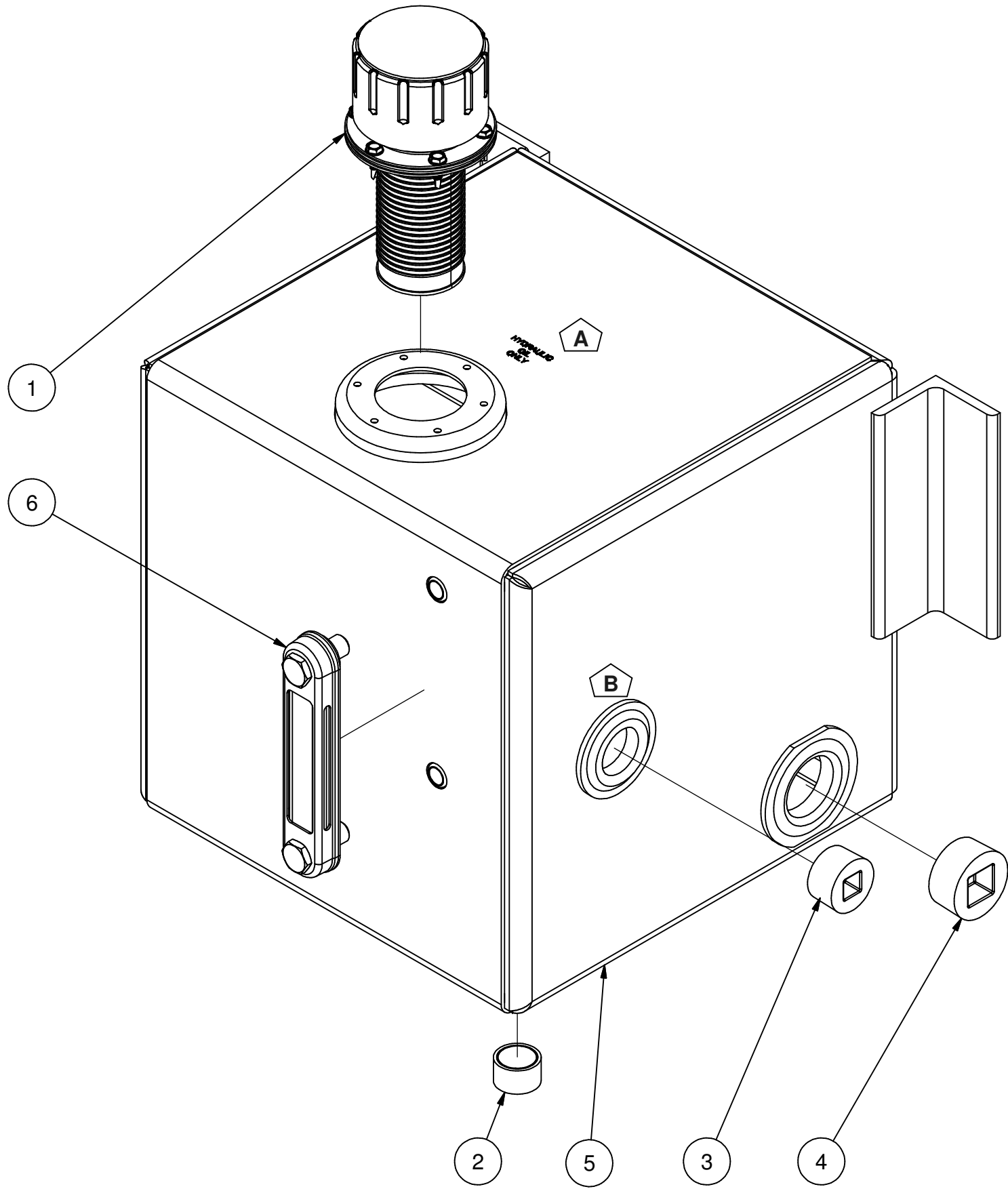
Parts List			
ITEM	QTY	PART NUMBER	DESCRIPTION
1	1	57XL-40N	40 MICRON FILL W/NYLON STRAINER
2	1	APP0750-M	3/4" NPT MAG PLUG
3	1	APP1000	1" NPT PLUG
4	1	APP1250	1 1/4" NPT SQUARE SOCKET PLUG
5	1	N_A3107	NAM WELDMENT ~33 1/2 lbs
6	1	T-LLG-5	SIGHT/TEMP. GAUGE, 5"

C

NOTES:
 -POWDER COAT BLACK
 -APPLY RUST INHIBITOR INSIDE
 -PLUG ALL PORTS FOR SHIPMENT

B

B



A

A

4

3

2

1

DATE	SYM.	DESCRIPTION	BY
2-7-12	C	UPDATED PART NUMBERS	BPK
9-15-10	B	LOWERED SUCTION PORTS 3.5"	BPK
7-31-07	A	ADDED "HYDRAULIC OIL ONLY" STAMP	BPK
4-10-06	N/A	DEMOTED TANK ASSEMBLY TO N_A3107	BPK

AMERICAN MOBILE POWER PH: (800) 634-8265 FAX: (765) 948-3403	DRAWING BY: BPKNIGHT	DESIGN FOR: AMP	FILE NAME: A3107	
	COMPLETED: 9/22/2005		SHEET: 1 of 7	SHEET SIZE: B

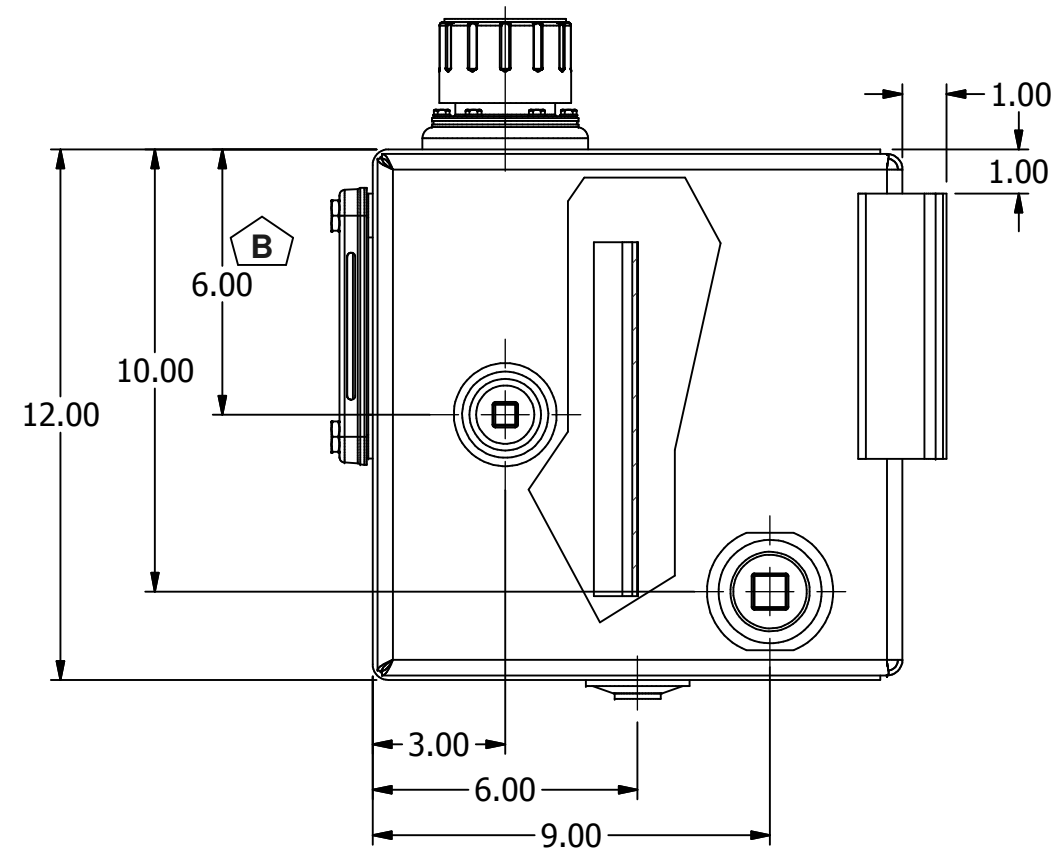
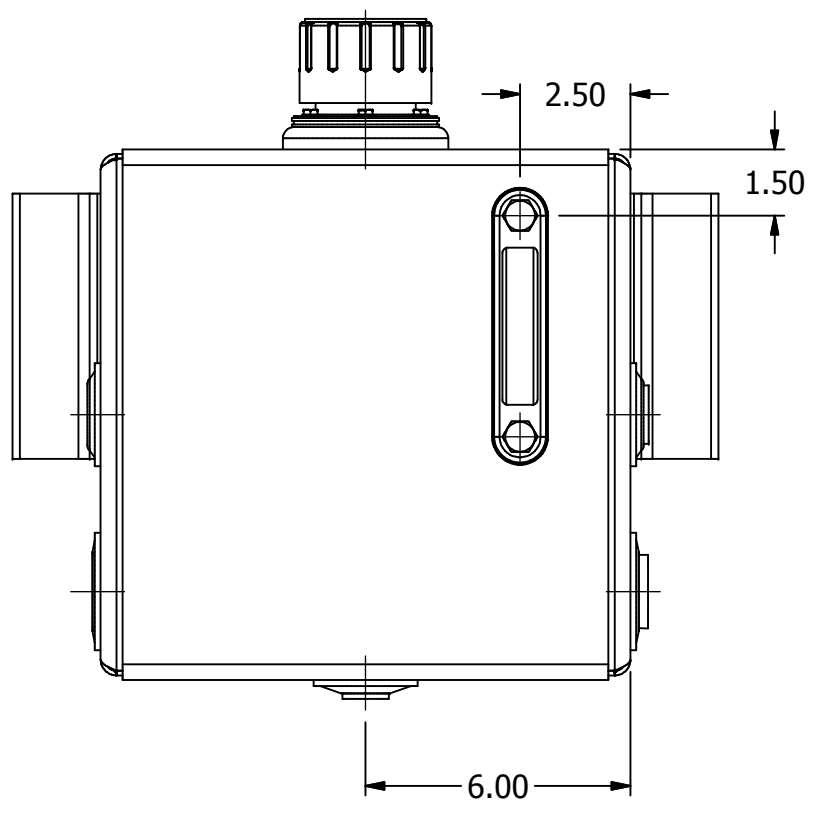
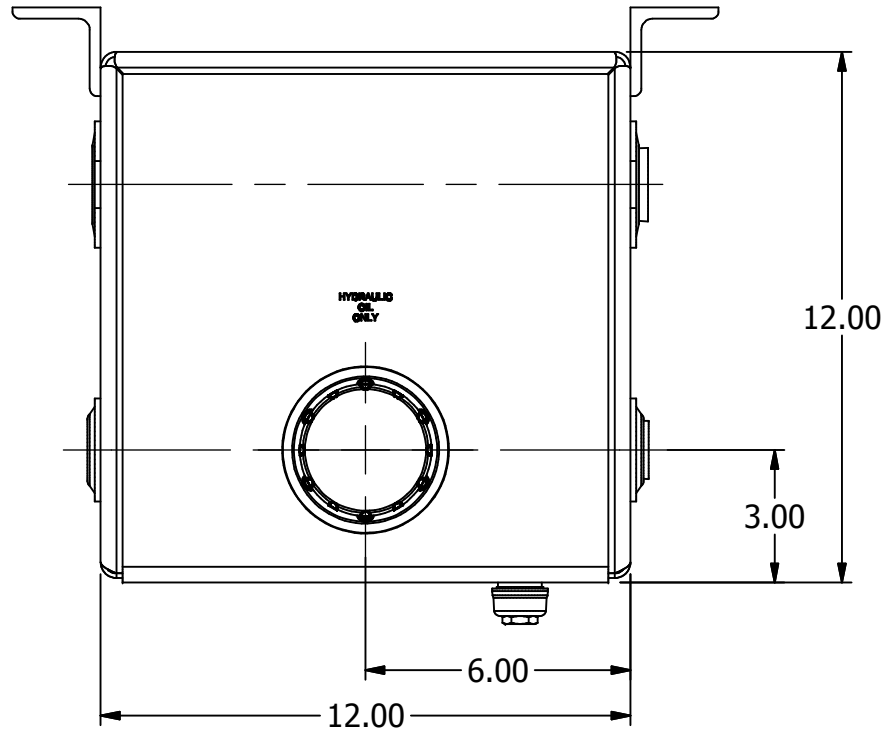
REVISIONS

4

3

2

1



9-15-10	B	LOWERED SUCTION PORTS 3.5"	BPK
DATE	SYM.	DESCRIPTION	BY

REVISIONS

AMERICAN MOBILE POWER PH: (800) 634-8265 FAX: (765) 948-3403	DRAWING BY: BPKNIGHT	DESIGN FOR: AMP	FILE NAME: A3107	
	COMPLETED: 9/22/2005		SHEET: 2 of 7	SHEET SIZE: B

4

3

2

1

B

B

A

A