

General Description

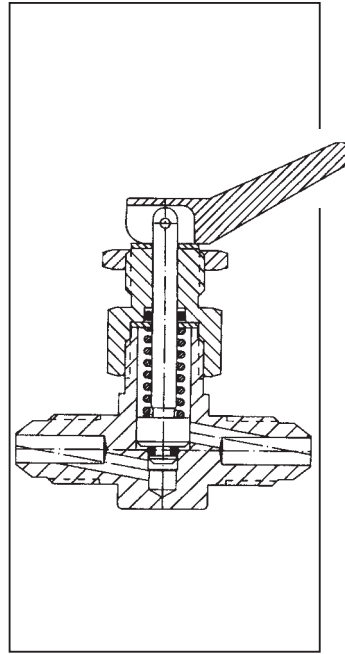
Series T143 and T148 toggle valves can be used on vacuum and gas applications. These toggle valves are used when quick, positive on-off action is required as well as zero leakage.

Features

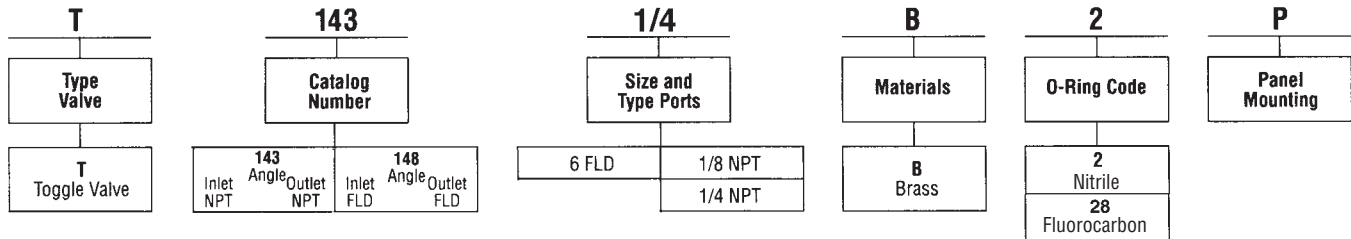
- Zero leakage.
- Pneumatic or hydraulic service.
- Wide selection of fitting ends in both in-line & angle porting.
- External pipe threaded ports are counterbored to accept solder-type tube fittings.

Specifications

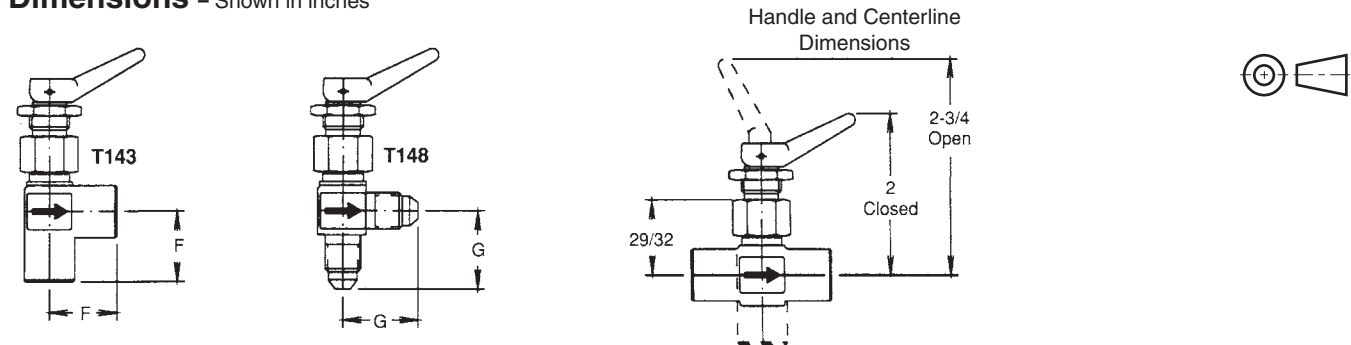
| | | | | |
|-----------------------------------|---|---|------------------------------|---|
| Service App. | Gases and liquids | | Material (Cont'd) | Packing and Seat: Synthetic rubber Spring: AMS5673 Stainless Steel Spring pins: 420 Stainless Steel |
| Maximum Operating Pressure | Working: 13.8 Bar (200 PSI) Proof: 20.7 Bar (300 PSI) | | | |
| Ports | NPT: Pipe threads | FLD: Flared tube connection SAE 37° MS33656 | Operating Temperature | -54°C to 121°C (-65°F to 250°F) |
| | FLD: Flared tube connection SAE 37° MS33656 | | | |
| Internal Leakage | Zero | | | |
| Mounting | Panel. Maximum panel thickness 1/4". Panel hole diameter 17/32". | | | |
| Material | Body, Cap Stem, Locknut, Washers : Brass | Handle: Nylon | | |



Ordering Information



Dimensions – Shown in inches



| Dash No. | Size | | A | B | C | D | E | F | G | H |
|----------|------|------|-------|-------|---------|-------|---------|-----|-------|-----|
| | Tube | Pipe | | | | | | | | |
| 1/8 | — | 1/8 | 1-3/4 | 7/8 | — | 27/32 | 1-11/16 | 7/8 | — | — |
| 1/4 | — | 1/4 | 1-7/8 | 15/16 | 1-13/16 | 7/8 | 1-3/4 | 7/8 | — | — |
| 6 | 3/8 | — | — | — | — | 15/16 | 1-7/8 | — | 31/32 | 7/8 |

| Size | CV Factors | | Weight (In Lbs.) |
|--------|------------|----------------|------------------|
| | Series 143 | Exceptions 148 | |
| 1/8 | .35 | — | .13 |
| 1/4, 6 | .40 | .37 | .25 |

3000-D1.p65, dd

