

4

3

2

1

Parts List

ITEM	QTY	PART NUMBER	DESCRIPTION
1	1	906001-4	2" NPT LOCKING VENTED DIESEL FILL CAP
2	1	APP0750-M	3/4" NPT MAG PLUG
3	2	DIESEL-2	4x4 RED/WHITE PEEL-N-STICK
4	1	N_ATT4072	NAM WELDMENT ~73 3/4 lbs

FILL CAP SHOWN FOR REFERENCE;
MAY BE INSTALLED IN EITHER PORT.

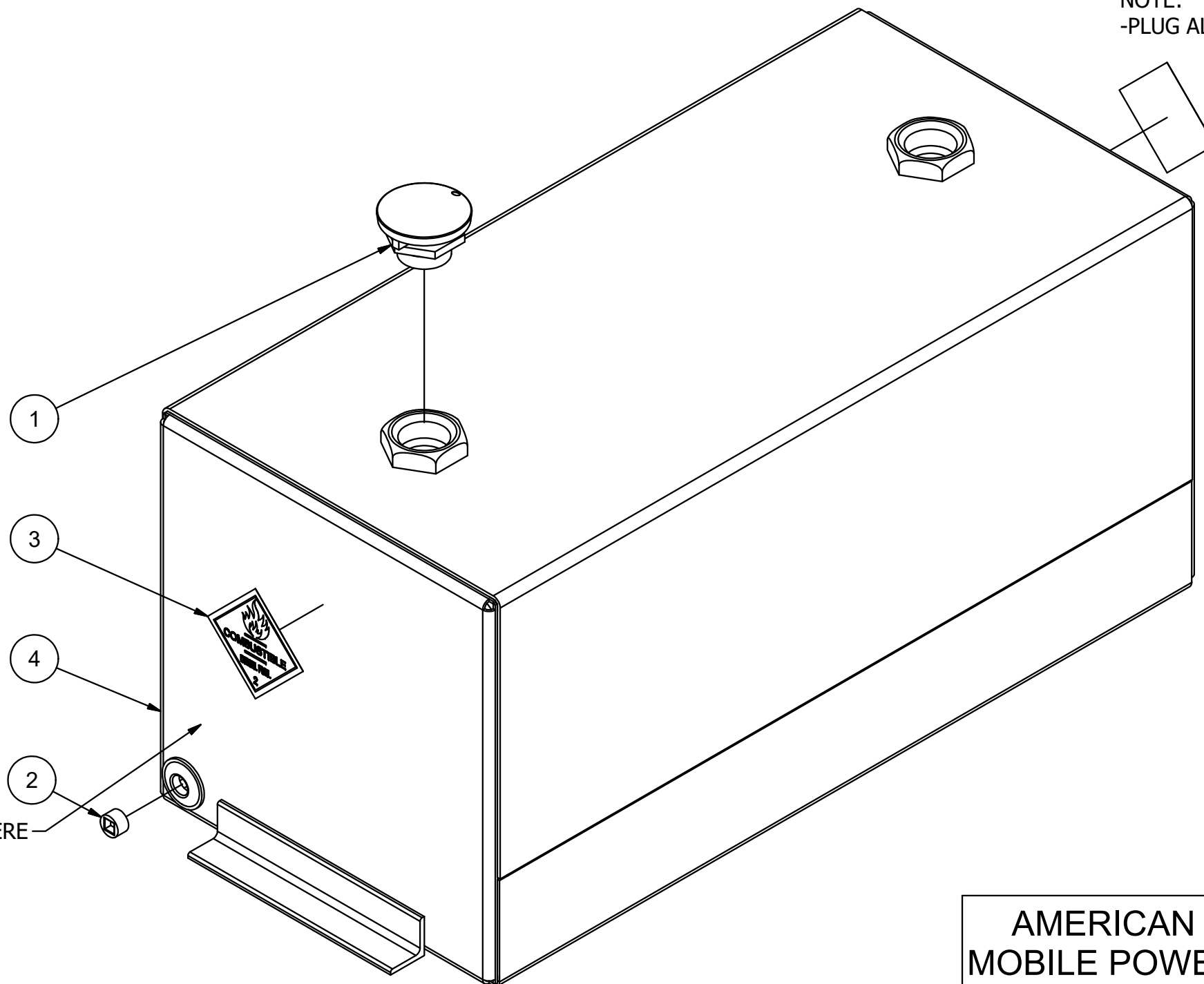
NOTE:
-PLUG ALL PORTS FOR SHIPMENT

B

B

A

A



STAMP SERIAL No. HERE

DATE	SYM.	DESCRIPTION	BY
9-14-18	N/A	ADDED S/N NOTE	BPK
1-18-08	A	REVISED BOTTOM AND BAFFLES	BPK
6-4-07	N/A	ADD STICKERS	BPK

REVISIONS

AMERICAN MOBILE POWER PH: (800) 634-8265 FAX: (765) 948-3403	DRAWING BY: MRH	DESIGN FOR: AMP	FILE NAME: ATT4072	
	COMPLETED: 2/8/2003		SHEET: 1 of 11	SHEET SIZE: B

4

3

2

1

4

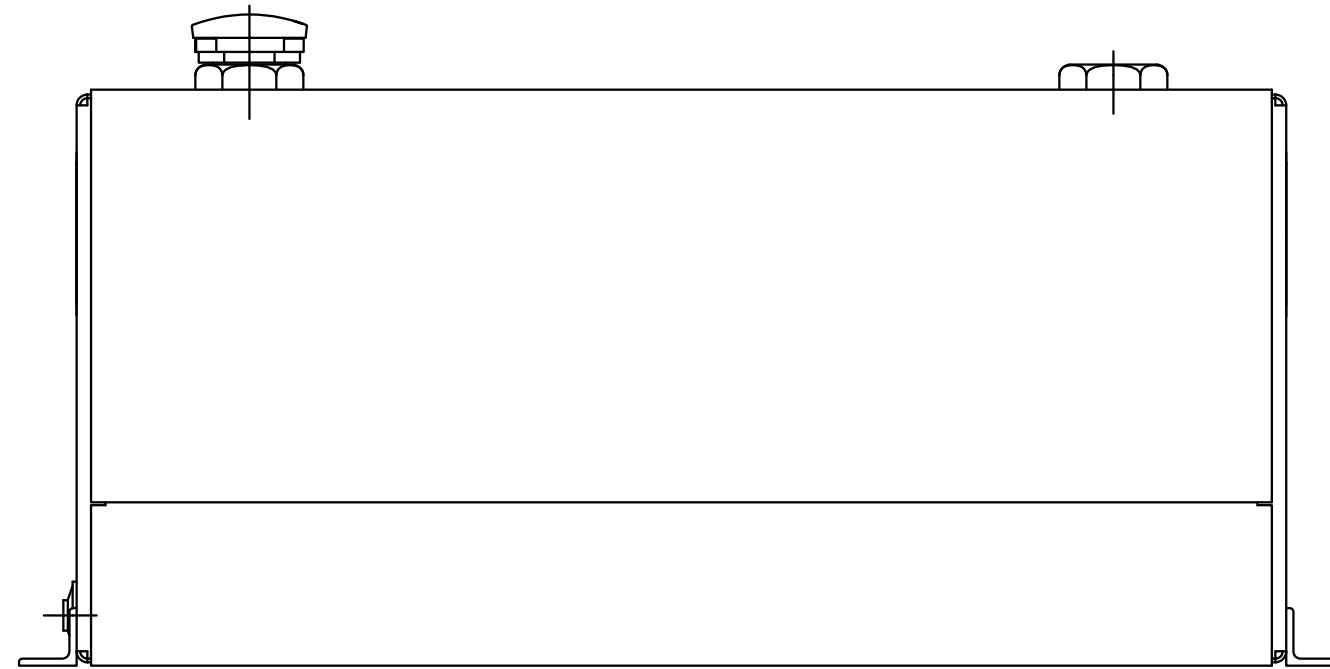
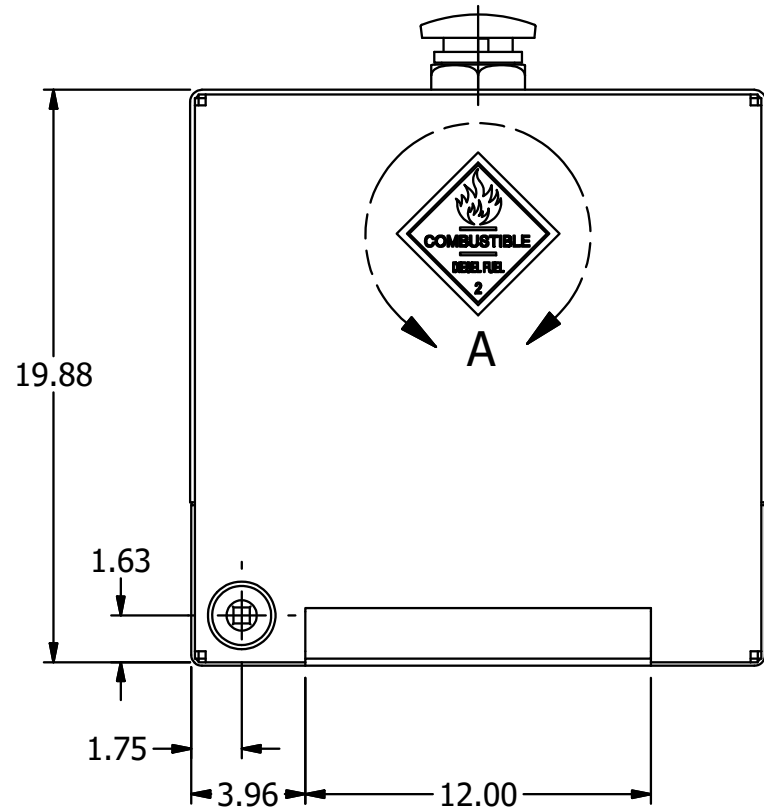
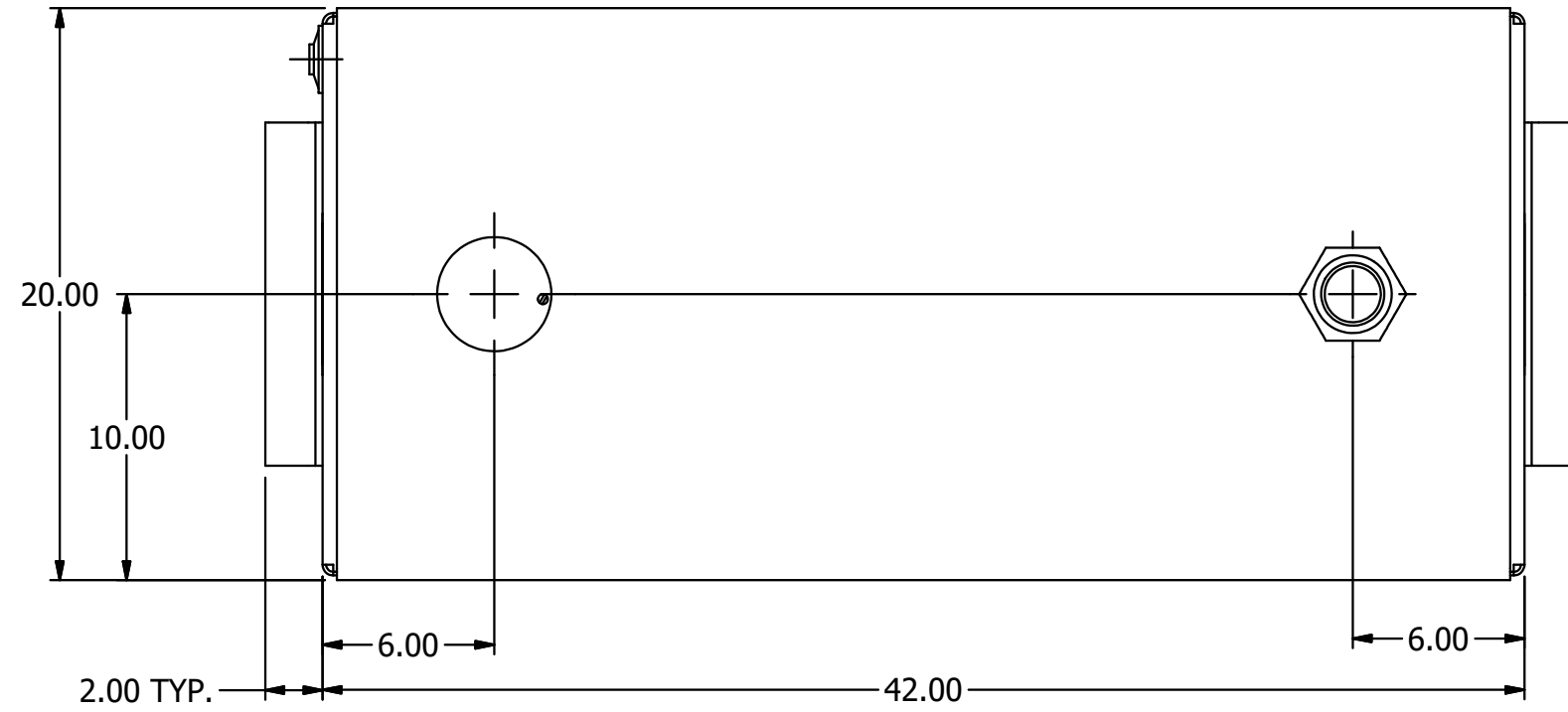
3

2

1



DETAIL A



AMERICAN MOBILE POWER <small>PH: (800) 634-8265 FAX: (765) 948-3403</small>	DRAWING BY: MRH	DESIGN FOR: AMP	FILE NAME: ATT4072	
	COMPLETED: 2/8/2003		SHEET: 2 of 11	SHEET SIZE: B

4

3

2

1

B

B

A

A

4

3

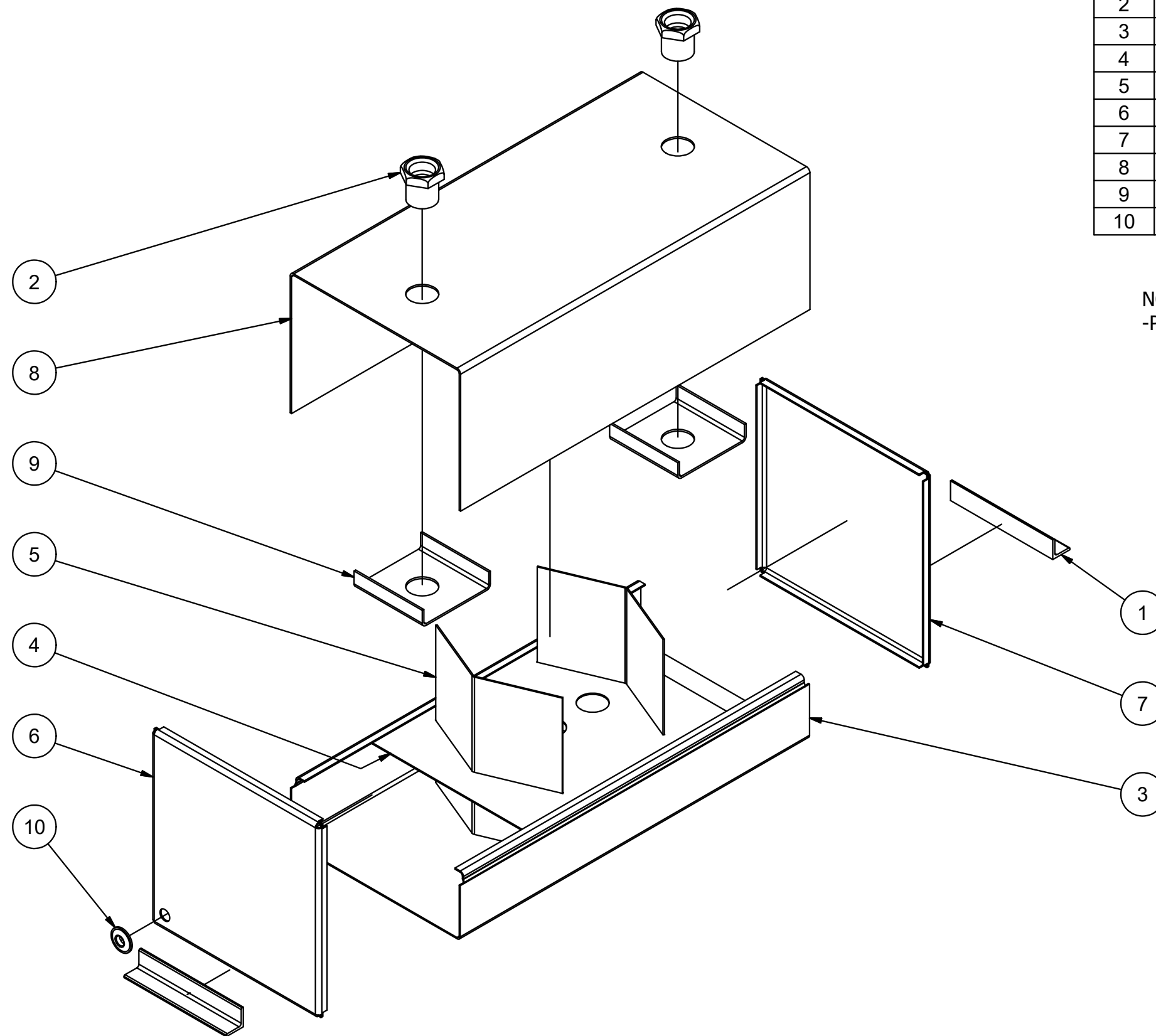
2

1

Parts List

ITEM	QTY	PART NUMBER	DESCRIPTION	Fab Qty
1	2	ANGLE-AL-12IN	2 x 2 x 1/4 x 12 LG ALUMINUM ANGLE	
2	2	ATF2000	2" NPT ALUM TRANSFER PUMP FITTING	
3	1	ATT4072BT	.125 MILL ALUMINUM BOTTOM SECTION	
4	1	ATT4072FH	.125 MILL ALUM. BAFFLE HORIZ.	
5	2	ATT4072FI	.125 MILL ALUM. BAFFLE INSERT	
6	1	ATT4072LH	.125 MILL ALUMINUM LEFT HEAD	
7	1	ATT4072RH	.125 MILL ALUMINUM RIGHT HEAD	
8	1	ATT4072TP	.125 3003 TREAD BRITE TOP SECTION	
9	2	ATTSUPPORT	.190 MILL ALUMINUM SUPPORT PLATE	
10	1	AWF0750	3/4" NPTF 6061-T6 WELD FLANGE	

NOTE:
-PLUG ALL PORTS FOR SHIPMENT



DATE	SYM.	DESCRIPTION	BY
1-18-08	A	REVISED BOTTOM AND BAFFLES	BPK

REVISIONS

AMERICAN MOBILE POWER PH: (800) 634-8265 FAX: (765) 948-3403	DRAWING BY: MRH	DESIGN FOR: AMP	FILE NAME: ATT4072	
	COMPLETED: 2/8/2003		SHEET: 3 of 11	SHEET SIZE: B

4

3

2

1

B

B

A

A