

FILL CAP SHOWN FOR REFERENCE;
MAY BE INSTALLED IN EITHER PORT.

NOTE:
-PLUG ALL PORTS FOR SHIPMENT

Parts List			
ITEM	QTY	PART NUMBER	DESCRIPTION
1	1	906001-4	2" NPT LOCKING VENTED DIESEL FILL CAP
4	2	DIESEL-2	4x4 RED/WHITE PEEL-N-STICK
2	1	APP0750-M	3/4" NPT MAG PLUG
3	1	N_ATT41120	NAM WELDMENT ~128 1/2 lbs

DATE	SYM.	DESCRIPTION	BY
6-4-07	N/A	ADDED STICKERS	BPK

AMERICAN MOBILE POWER PH: (800) 634-8265 FAX: (765) 948-3403	DRAWING BY: MPB	DESIGN FOR: AMP	FILE NAME: ATT41120	
	COMPLETED: 10/20/2003		SHEET: 1 of 11	SHEET SIZE: B

4

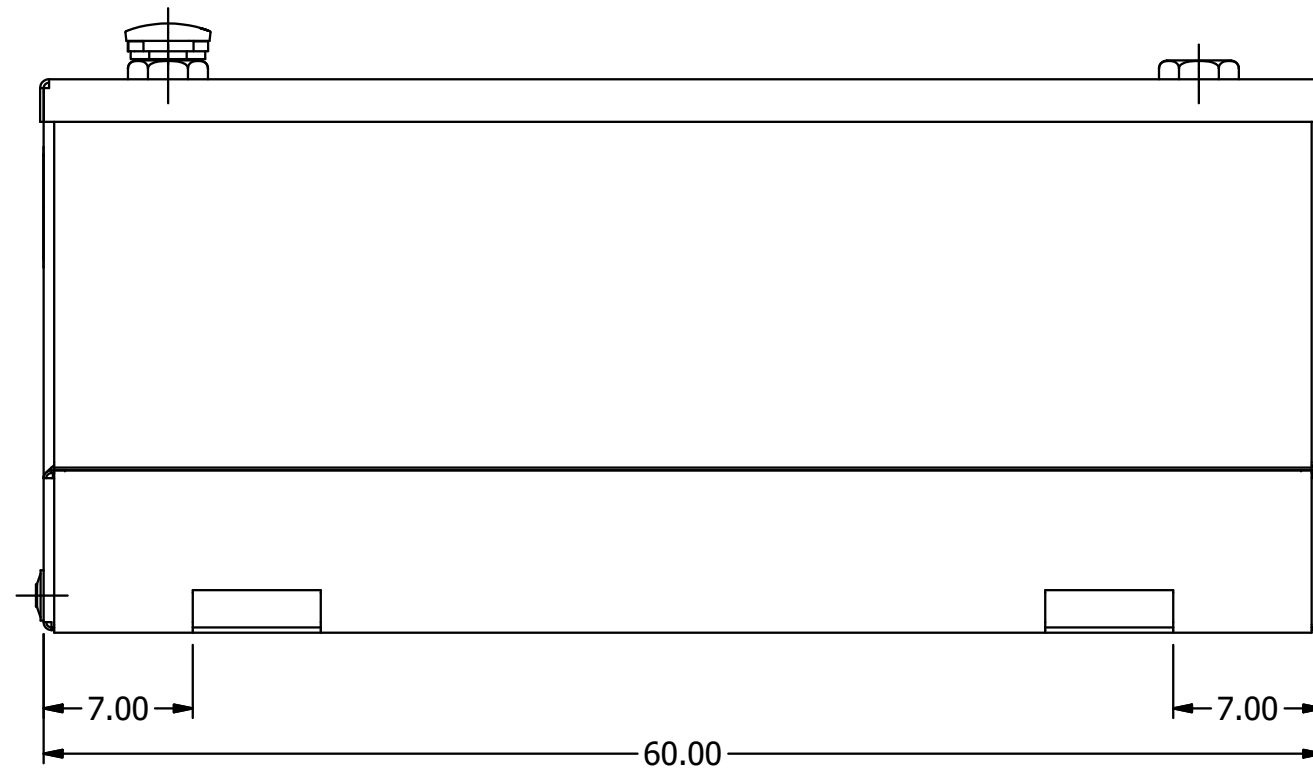
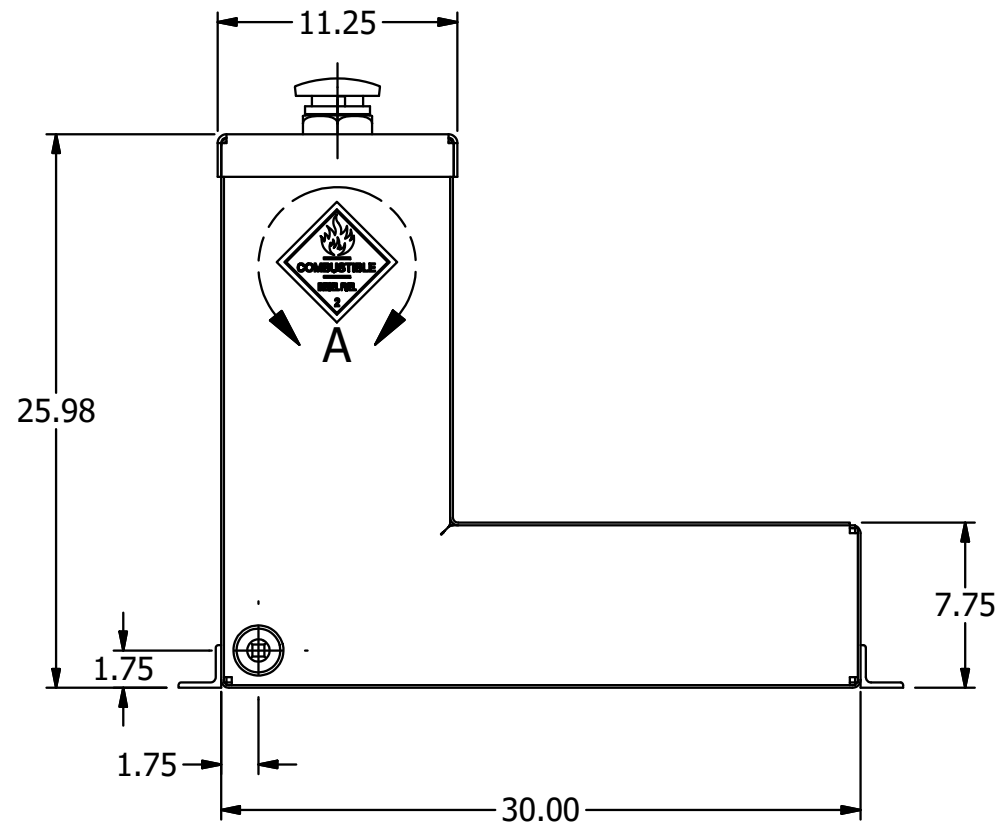
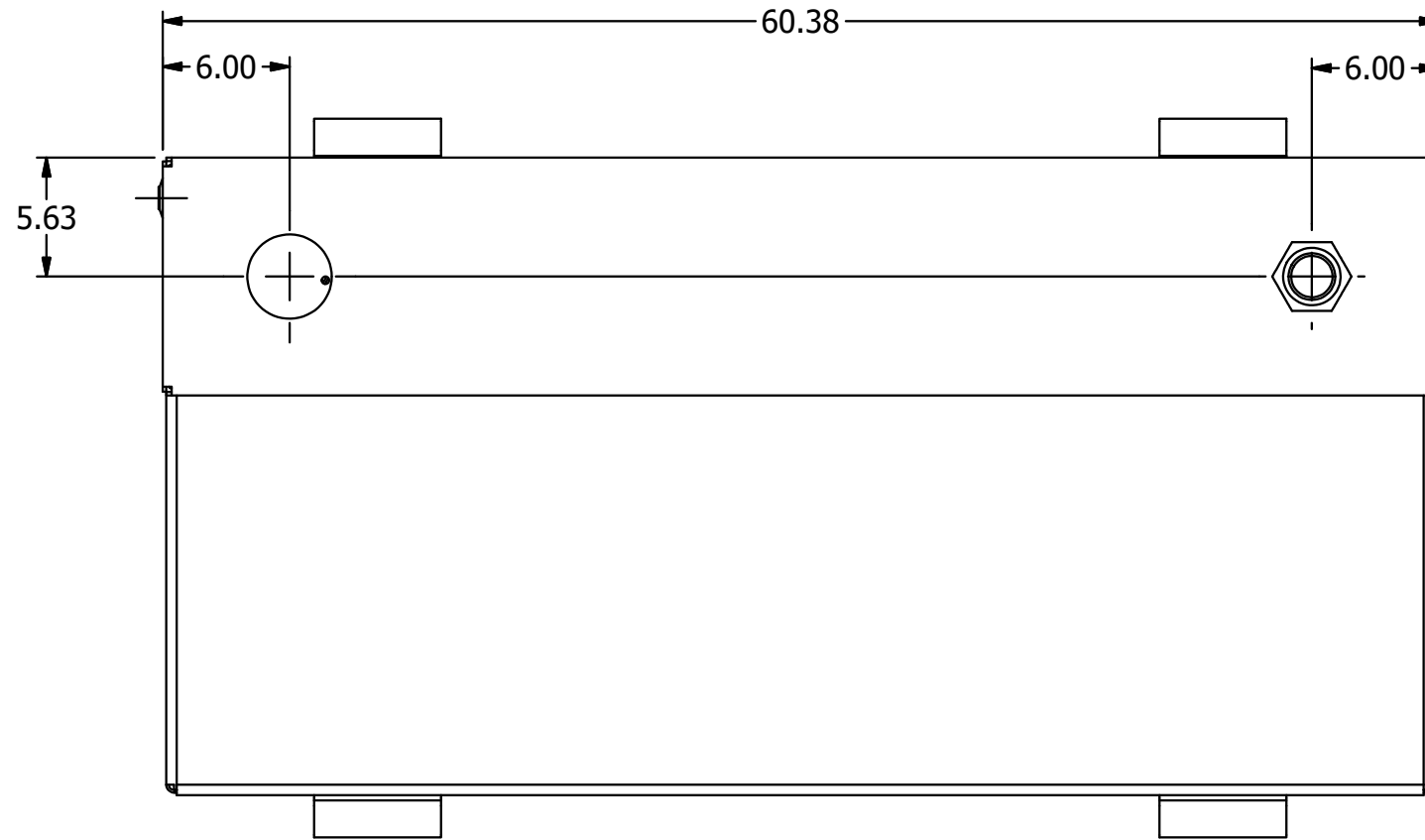
3

2

1



DETAIL A



AMERICAN MOBILE POWER <small>PH: (800) 634-8265 FAX: (765) 948-3403</small>	DRAWING BY: MPB	DESIGN FOR: AMP	FILE NAME: ATT41120	
	COMPLETED: 10/20/2003		SHEET: 2 of 11	SHEET SIZE: B

4

3

2

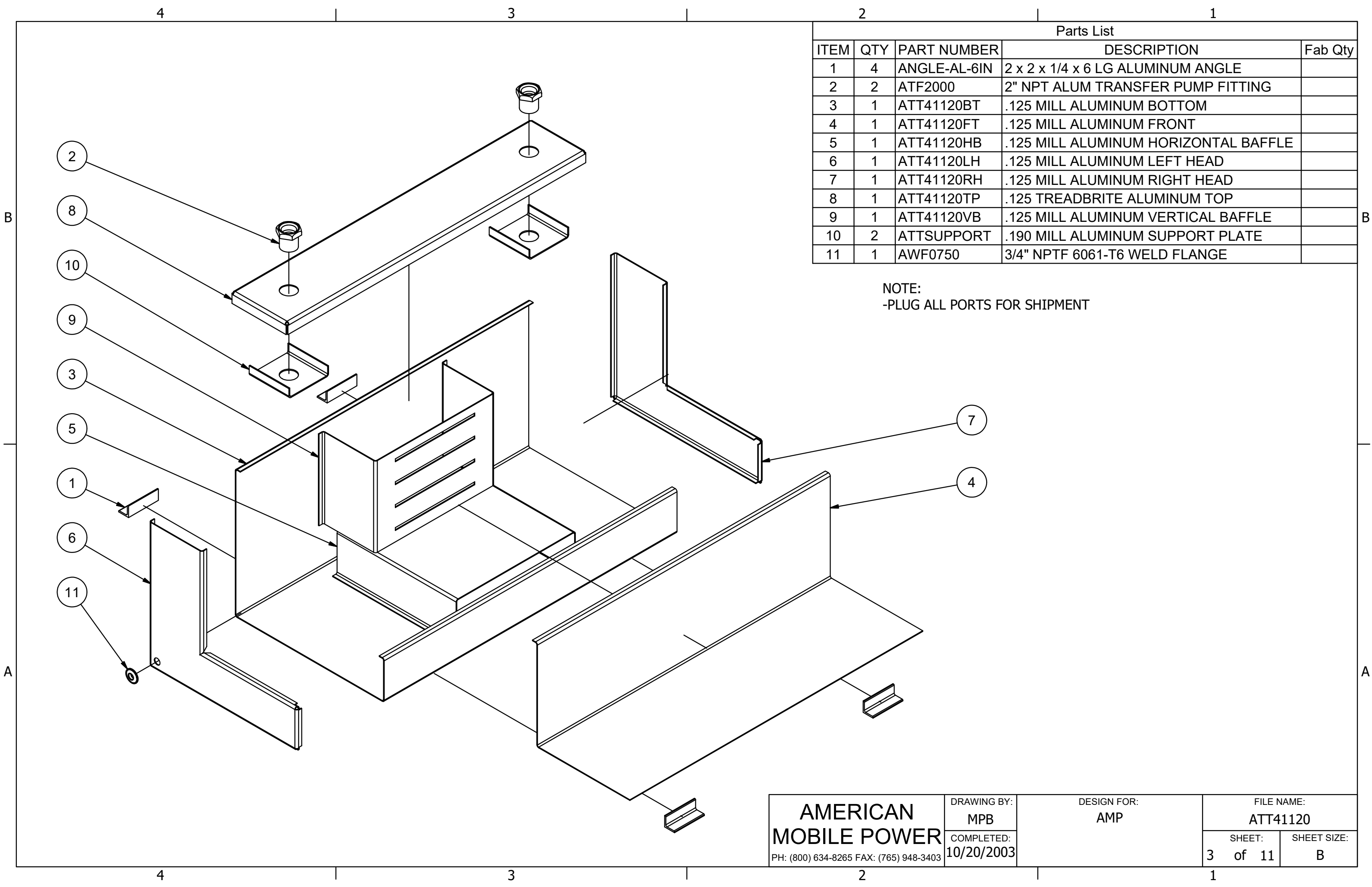
1

B

B

A

A



Parts List				
ITEM	QTY	PART NUMBER	DESCRIPTION	Fab Qty
1	4	ANGLE-AL-6IN	2 x 2 x 1/4 x 6 LG ALUMINUM ANGLE	
2	2	ATF2000	2" NPT ALUM TRANSFER PUMP FITTING	
3	1	ATT41120BT	.125 MILL ALUMINUM BOTTOM	
4	1	ATT41120FT	.125 MILL ALUMINUM FRONT	
5	1	ATT41120HB	.125 MILL ALUMINUM HORIZONTAL BAFFLE	
6	1	ATT41120LH	.125 MILL ALUMINUM LEFT HEAD	
7	1	ATT41120RH	.125 MILL ALUMINUM RIGHT HEAD	
8	1	ATT41120TP	.125 TREADBRITE ALUMINUM TOP	
9	1	ATT41120VB	.125 MILL ALUMINUM VERTICAL BAFFLE	
10	2	ATTSUPPORT	.190 MILL ALUMINUM SUPPORT PLATE	
11	1	AWF0750	3/4" NPTF 6061-T6 WELD FLANGE	

NOTE:
-PLUG ALL PORTS FOR SHIPMENT

AMERICAN MOBILE POWER PH: (800) 634-8265 FAX: (765) 948-3403	DRAWING BY: MPB	DESIGN FOR: AMP	FILE NAME: ATT41120	
	COMPLETED: 10/20/2003		SHEET: 3 of 11	SHEET SIZE: B