

4

3

2

1

Parts List

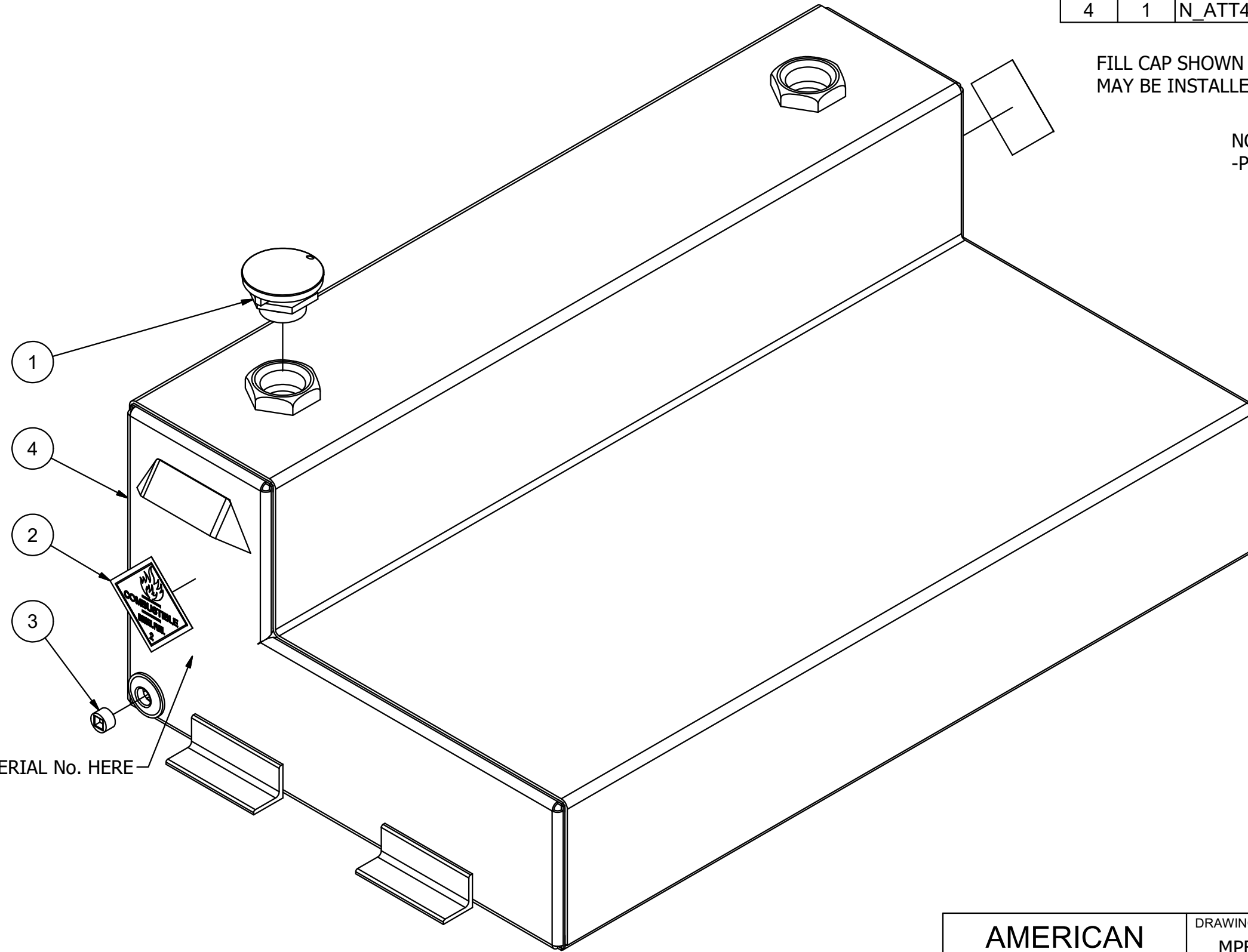
| ITEM | QTY | PART NUMBER | DESCRIPTION                           |
|------|-----|-------------|---------------------------------------|
| 1    | 1   | 906001-4    | 2" NPT LOCKING VENTED DIESEL FILL CAP |
| 2    | 2   | DIESEL-2    | 4x4 RED/WHITE PEEL-N-STICK            |
| 3    | 1   | APP0750-M   | 3/4" NPT MAG PLUG                     |
| 4    | 1   | N_ATT4075   | NAM WELDMENT ~85 1/2 lbs              |

FILL CAP SHOWN FOR REFERENCE;  
MAY BE INSTALLED IN EITHER PORT.

NOTE:  
-PLUG ALL PORTS FOR SHIPMENT

B

B



STAMP SERIAL No. HERE

A

A

4

3

2

1

| DATE    | SYM. | DESCRIPTION                              | BY  |
|---------|------|--|-----|
| 9-14-18 | N/A  | ADDED S/N NOTE                           | BPK |
| 6-1-07  | N/A  | CHANGE HEADS TO MILL FINISH; ADD STICKER | BPK |

REVISIONS

|  |                          |                    |                       |                  |
|--|--------------------------|--------------------|-----------------------|------------------|
| <b>AMERICAN<br/>MOBILE POWER</b><br>PH: (800) 634-8265 FAX: (765) 948-3403 | DRAWING BY:<br>MPB       | DESIGN FOR:<br>NAM | FILE NAME:<br>ATT4075 |                  |
|  | COMPLETED:<br>11/10/2003 |                    | SHEET:<br>1 of 10     | SHEET SIZE:<br>B |

4

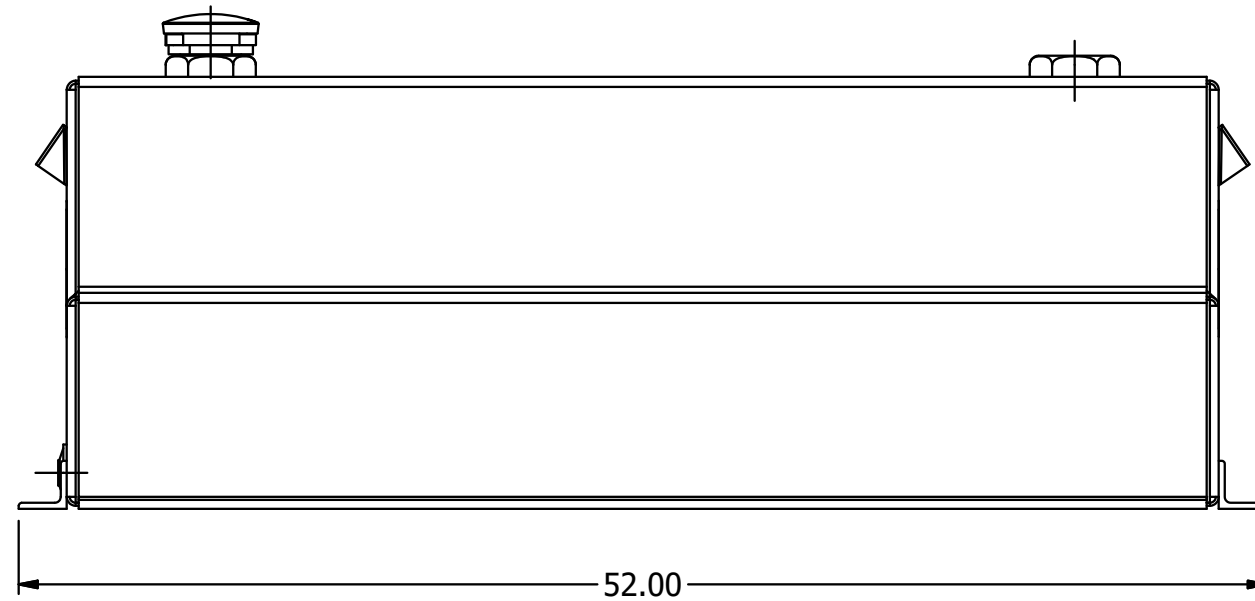
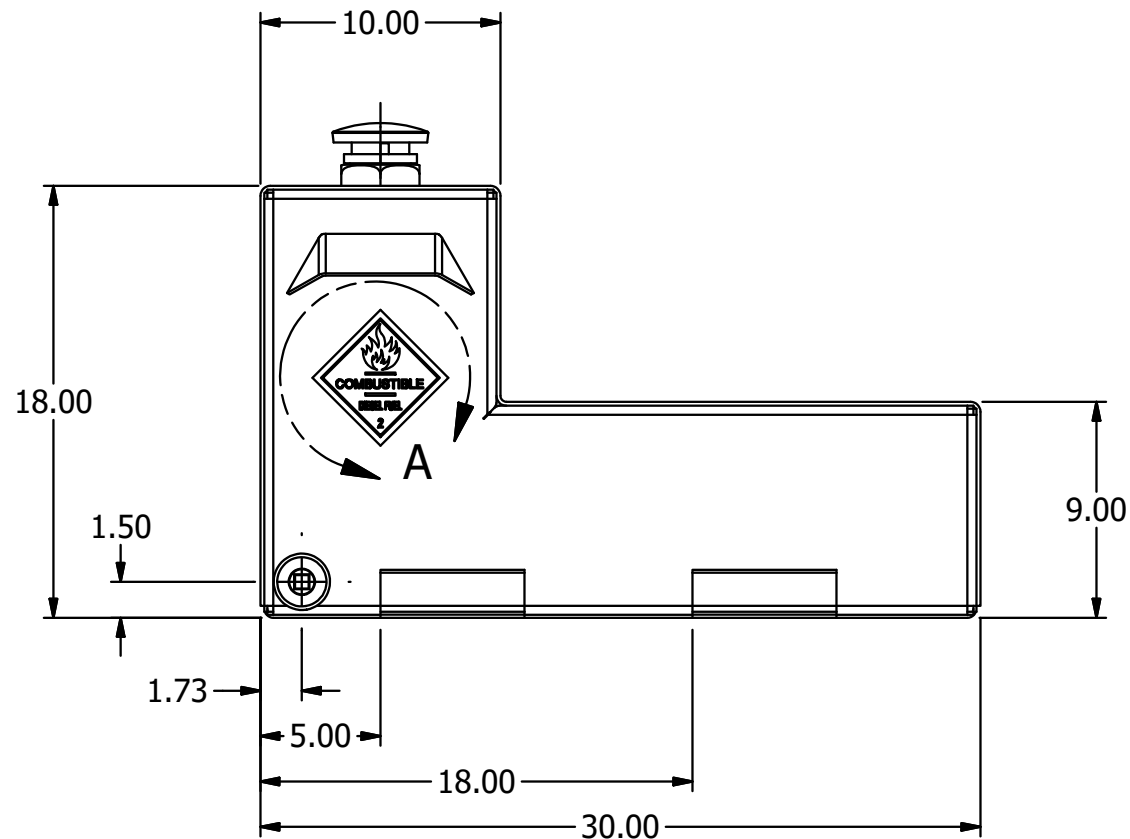
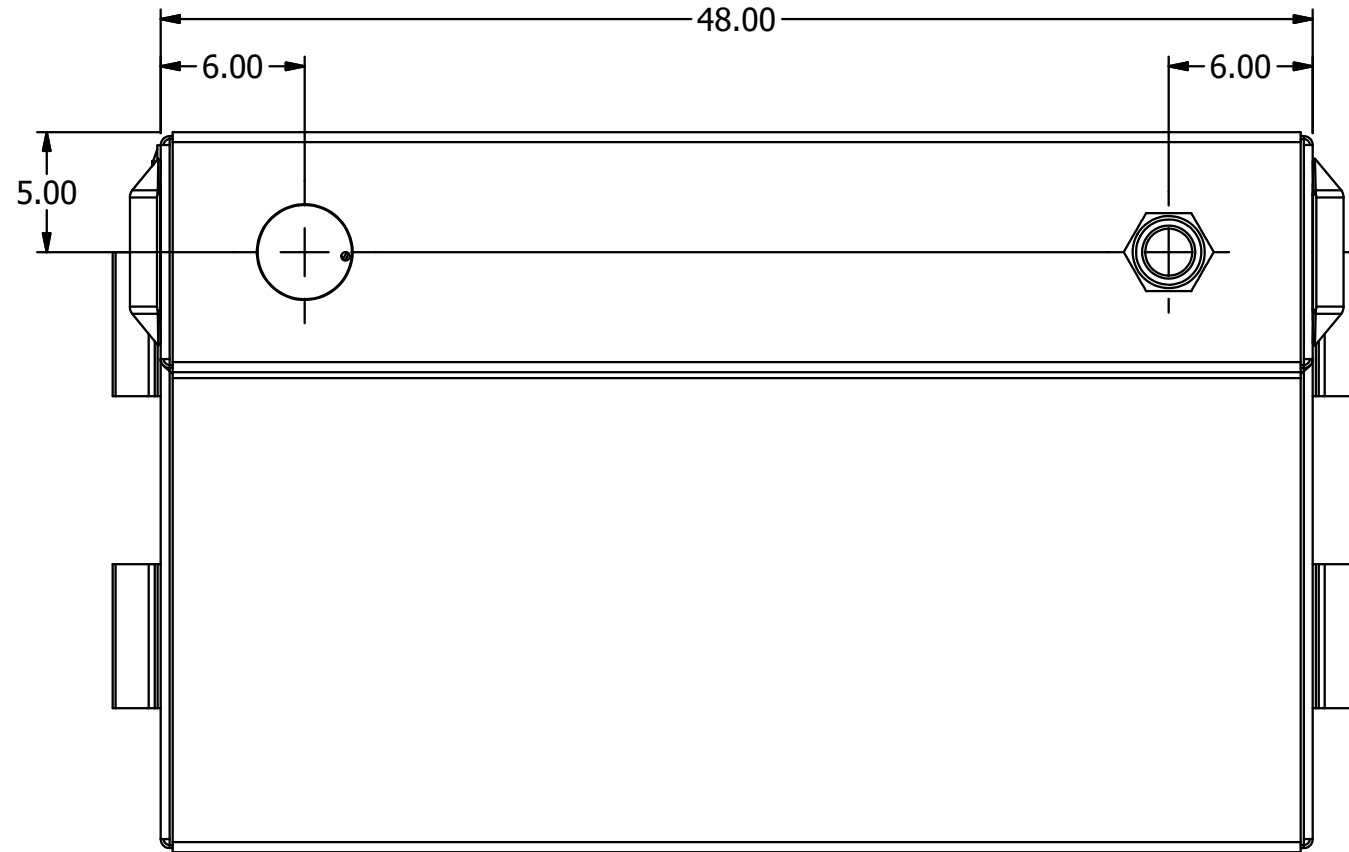
3

2

1



DETAIL A



|   |                          |                    |                       |                  |
|---|--------------------------|--------------------|-----------------------|------------------|
| <b>AMERICAN<br/>MOBILE POWER</b><br><small>PH: (800) 634-8265 FAX: (765) 948-3403</small> | DRAWING BY:<br>MPB       | DESIGN FOR:<br>NAM | FILE NAME:<br>ATT4075 |                  |
|   | COMPLETED:<br>11/10/2003 |                    | SHEET:<br>2 of 10     | SHEET SIZE:<br>B |

4

3

2

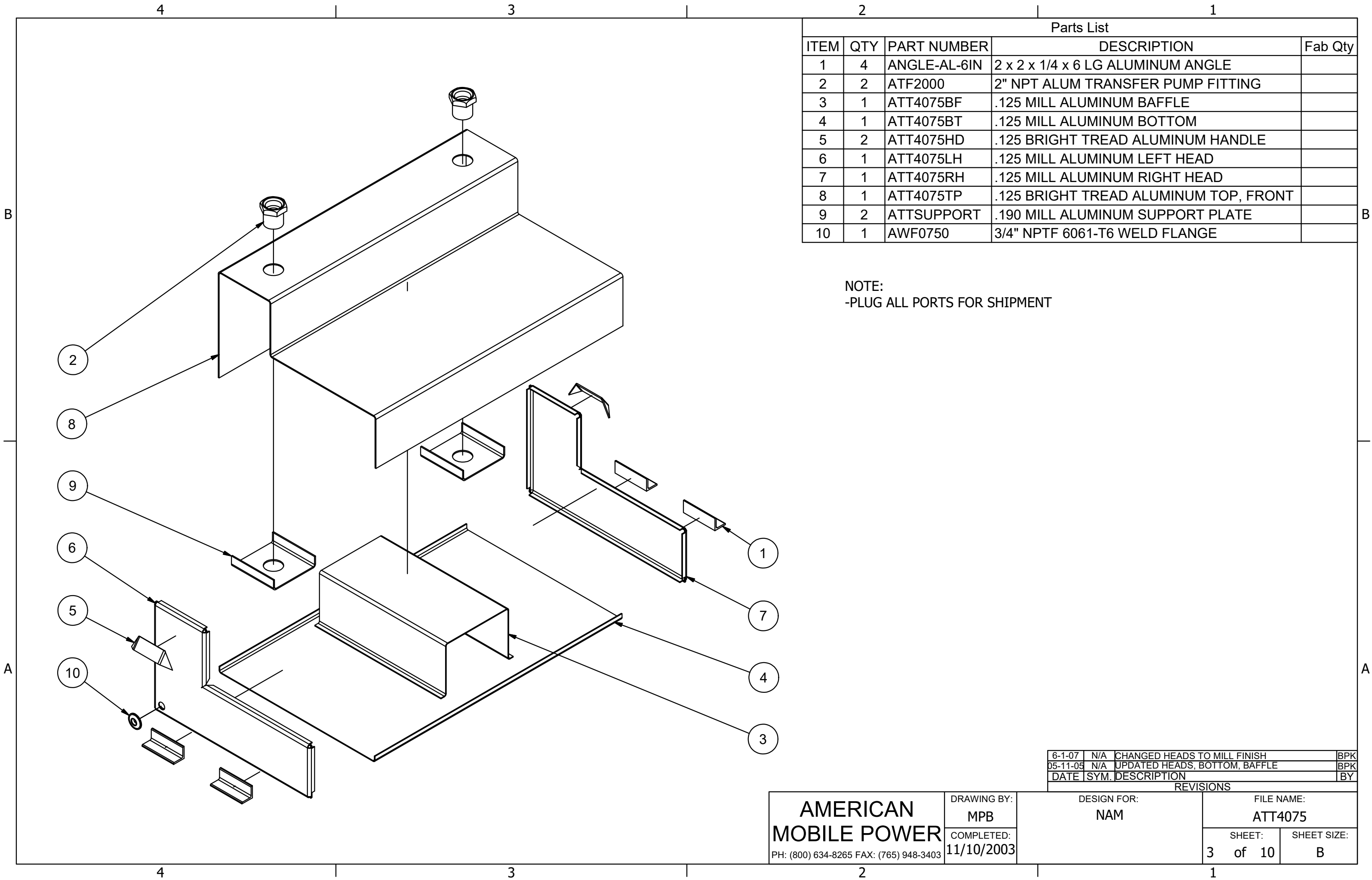
1

B

B

A

A



| Parts List |     |              |                                       |         |
|------------|-----|--------------|---------------------------------------|---------|
| ITEM       | QTY | PART NUMBER  | DESCRIPTION                           | Fab Qty |
| 1          | 4   | ANGLE-AL-6IN | 2 x 2 x 1/4 x 6 LG ALUMINUM ANGLE     |         |
| 2          | 2   | ATF2000      | 2" NPT ALUM TRANSFER PUMP FITTING     |         |
| 3          | 1   | ATT4075BF    | .125 MILL ALUMINUM BAFFLE             |         |
| 4          | 1   | ATT4075BT    | .125 MILL ALUMINUM BOTTOM             |         |
| 5          | 2   | ATT4075HD    | .125 BRIGHT TREAD ALUMINUM HANDLE     |         |
| 6          | 1   | ATT4075LH    | .125 MILL ALUMINUM LEFT HEAD          |         |
| 7          | 1   | ATT4075RH    | .125 MILL ALUMINUM RIGHT HEAD         |         |
| 8          | 1   | ATT4075TP    | .125 BRIGHT TREAD ALUMINUM TOP, FRONT |         |
| 9          | 2   | ATTSUPPORT   | .190 MILL ALUMINUM SUPPORT PLATE      |         |
| 10         | 1   | AWF0750      | 3/4" NPTF 6061-T6 WELD FLANGE         |         |

NOTE:  
-PLUG ALL PORTS FOR SHIPMENT

| DATE     | SYM. | DESCRIPTION                   | BY  |
|----------|------|-------------------------------|-----|
| 6-1-07   | N/A  | CHANGED HEADS TO MILL FINISH  | BPK |
| 05-11-05 | N/A  | UPDATED HEADS, BOTTOM, BAFFLE | BPK |

REVISIONS

|  |                                 |                           |                              |                         |
|--|---------------------------------|---------------------------|------------------------------|-------------------------|
| <b>AMERICAN<br/>MOBILE POWER</b><br>PH: (800) 634-8265 FAX: (765) 948-3403 | DRAWING BY:<br><b>MPB</b>       | DESIGN FOR:<br><b>NAM</b> | FILE NAME:<br><b>ATT4075</b> |                         |
|  | COMPLETED:<br><b>11/10/2003</b> |                           | SHEET:<br><b>3 of 10</b>     | SHEET SIZE:<br><b>B</b> |