

4

3

2

1

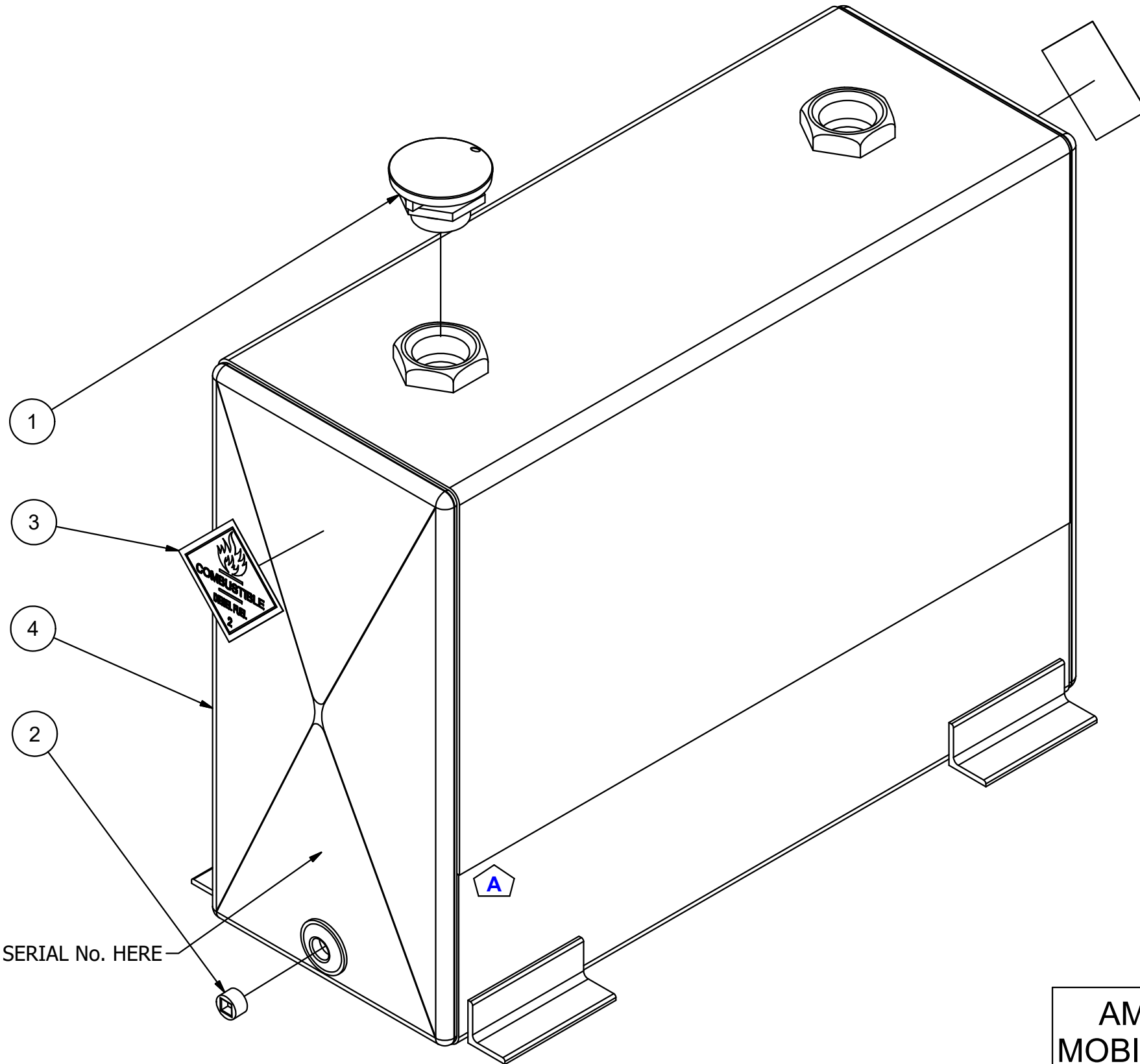
Parts List

ITEM	QTY	PART NUMBER	DESCRIPTION
1	1	906001-4	2" NPT LOCKING VENTED DIESEL FILL CAP
2	1	APP0750-M	3/4" NPT MAG PLUG
3	2	DIESEL-2	4x4 RED/WHITE PEEL-N-STICK
4	1	N_ATT4050	NAM ASSEMBLY ~54 3/4 lbs

NOTE:
-PLUG ALL PORTS FOR SHIPMENT

B

B



STAMP SERIAL No. HERE

DATE	SYM.	DESCRIPTION	BY
9-14-18	N/A	ADDED S/N NOTE	BPK
4-14-14	A	UPDATE OFFSET TO MATCH A4000B	BPK
6-4-07	N/A	ADD STICKER	BPK
REVISIONS			
11-7-06	N/A	SUPERSEDES MODEL ATT4090 DATED 12-9-2005	BPK

AMERICAN MOBILE POWER PH: (800) 634-8265 FAX: (765) 948-3403	DRAWING BY: BPKNIGHT	DESIGN FOR: AMERICAN MOBILE POWER	FILE NAME: ATT4050	
	COMPLETED: 11/7/2006		SHEET: 1 of 9	SHEET SIZE: B

4

3

2

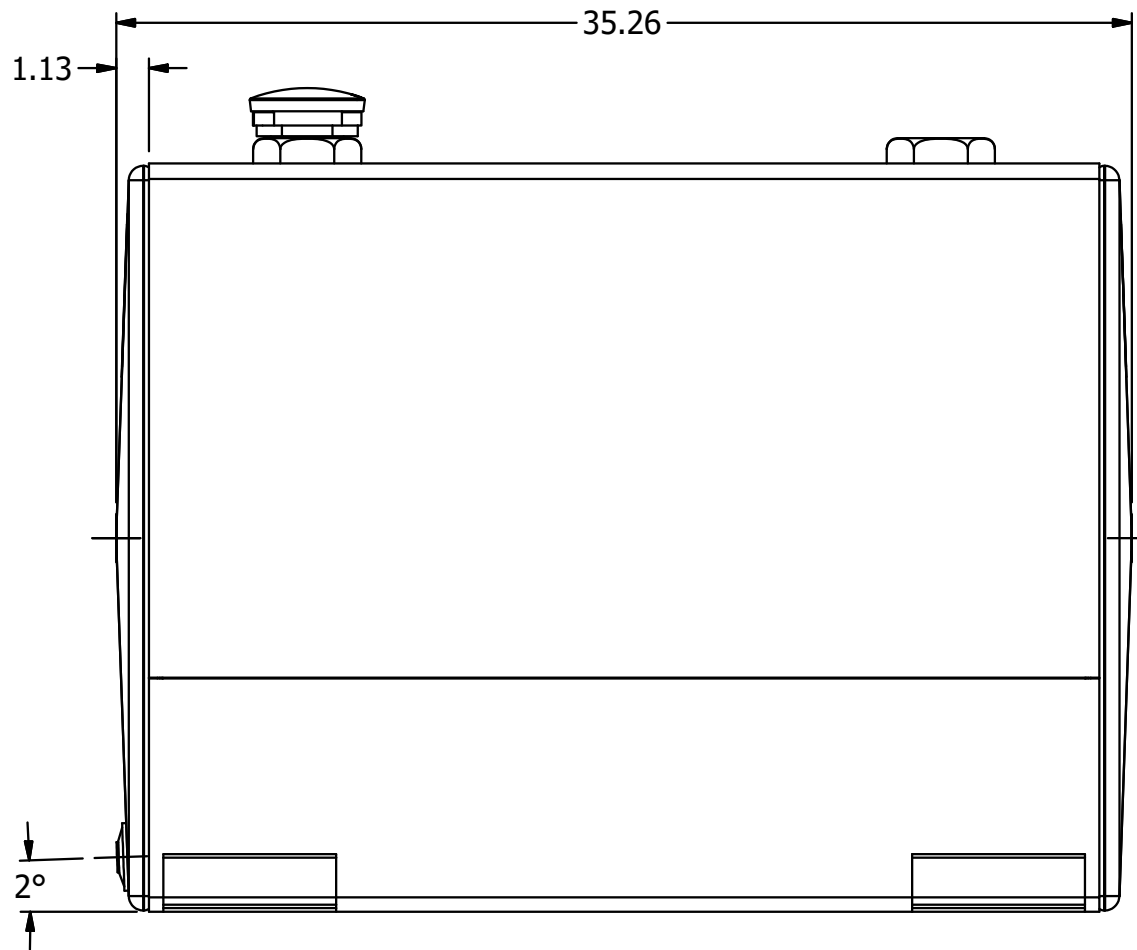
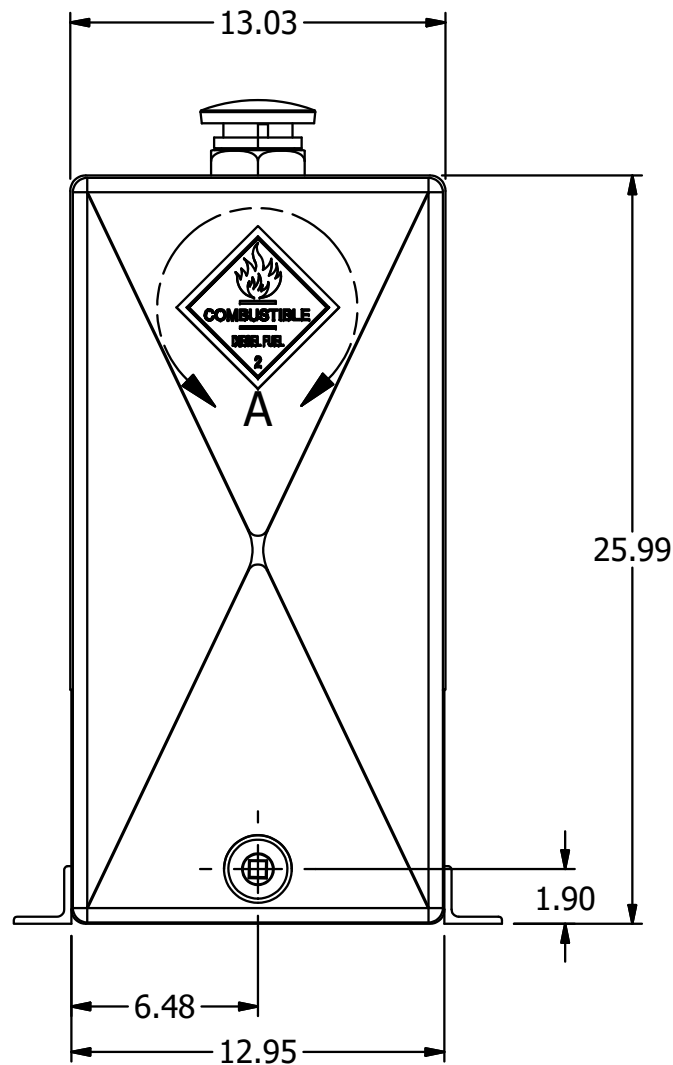
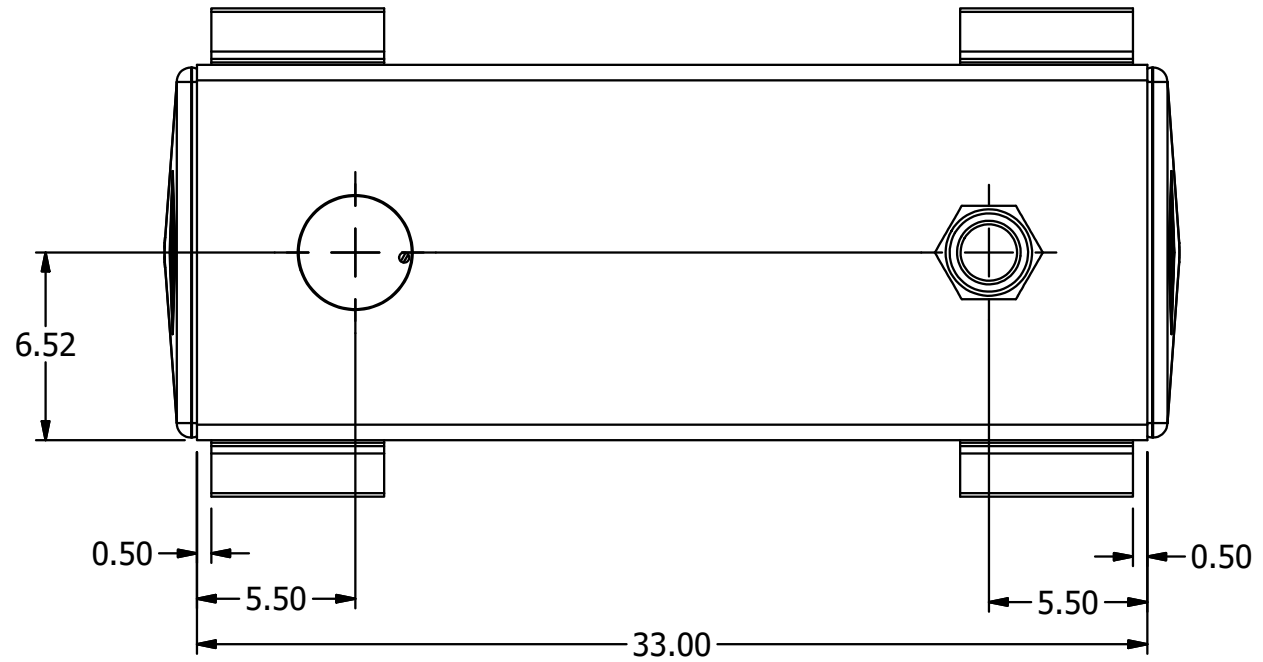
1

A

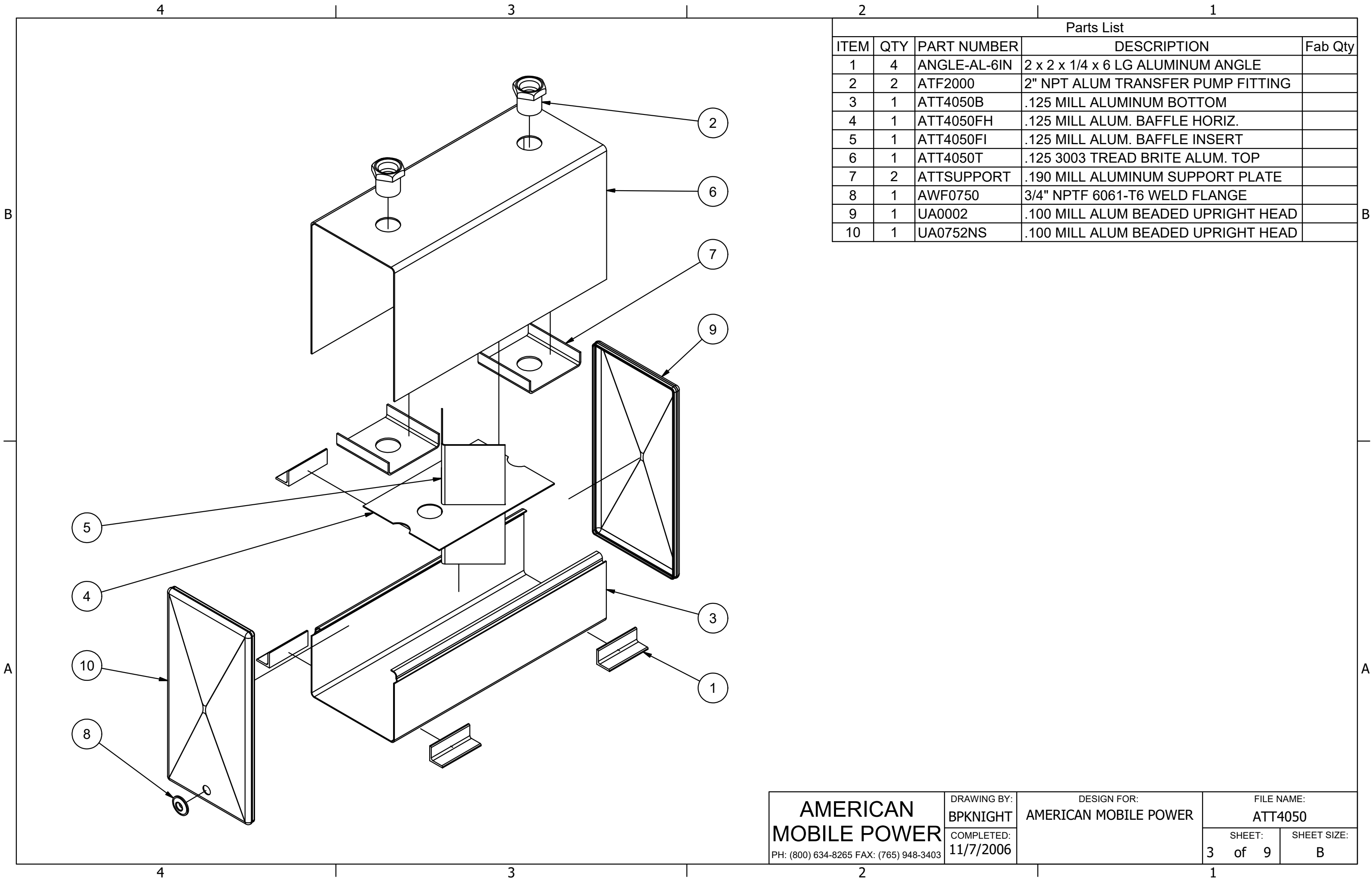
A



DETAIL A



AMERICAN MOBILE POWER PH: (800) 634-8265 FAX: (765) 948-3403	DRAWING BY: BPKNIGHT	DESIGN FOR: AMERICAN MOBILE POWER	FILE NAME: ATT4050	
	COMPLETED: 11/7/2006		SHEET: 2 of 9	SHEET SIZE: B



Parts List				
ITEM	QTY	PART NUMBER	DESCRIPTION	Fab Qty
1	4	ANGLE-AL-6IN	2 x 2 x 1/4 x 6 LG ALUMINUM ANGLE	
2	2	ATF2000	2" NPT ALUM TRANSFER PUMP FITTING	
3	1	ATT4050B	.125 MILL ALUMINUM BOTTOM	
4	1	ATT4050FH	.125 MILL ALUM. BAFFLE HORIZ.	
5	1	ATT4050FI	.125 MILL ALUM. BAFFLE INSERT	
6	1	ATT4050T	.125 3003 TREAD BRITE ALUM. TOP	
7	2	ATTSUPPORT	.190 MILL ALUMINUM SUPPORT PLATE	
8	1	AWF0750	3/4" NPTF 6061-T6 WELD FLANGE	
9	1	UA0002	.100 MILL ALUM BEADED UPRIGHT HEAD	
10	1	UA0752NS	.100 MILL ALUM BEADED UPRIGHT HEAD	

AMERICAN MOBILE POWER PH: (800) 634-8265 FAX: (765) 948-3403	DRAWING BY: BPKNIGHT	DESIGN FOR: AMERICAN MOBILE POWER	FILE NAME: ATT4050	
	COMPLETED: 11/7/2006		SHEET: 3 of 9	SHEET SIZE: B