

Parts List			
ITEM	QTY	PART NUMBER	DESCRIPTION
1	1	021-2.00X1.25	REDUCER BUSHING, 2" NPT x 1 1/4" NPT
2	6	32581	10-32x1/2 Thread-Rolling Screw HexWasherHead
3	1	57XL-40N	40 MICRON FILL W/NYLON STRAINER
4	1	A2000-DATA_ST	.03 MILL ALUMINUM (S/T GAUGE)
5	2	A2000PW	.062 UHMW PORT WASHER
6	1	ADA-250	2" TO 1 1/4" DIFFUSER SCREEN
7	1	AMB-312	AMP ASSEMBLY 23.20 lbs
8	4	ASK-200	CHASSIS MOUNTING KIT
9	1	M_A2000S	PE SHELL w/THREADED INSERTS
9.1	1	A2000S	POLYETHYLENE SHELL 50.7 GAL GS. CAP.
9.2	2	ATC-2000PN	PORT NUT, 3 1/4" HEX, 2 5/8-12 UN Thread
10	1	T-LLG-5	LENZ 5" SIGHT TEMP GAUGE
11	1	TAG_OVAL_AMP	DATA TAG w/MOUNTING SCREWS
12	4	WASHER-ST	.50 ID x 1.00 OD x .10 NEOPRENE Flat Washer

NOTES:
 -THE FOLLOWING ITEMS SHIP LOOSE:
 +ASK-200 MOUNTING KIT
 +57XL-40N w/ (6) 32581 SCREWS
 +021-2.00X1.25 REDUCER BUSHING
 +ADA-250 DIFFUSER
 +A2000-DATA-CAB (SHOWN BELOW)
 -ALL OTHER PARTS ARE FULLY ASSEMBLED

4.10

IN-CAB DATA: SECURE IN PROMINENT VIEW

NOTICE

A2000 POLYETHYLENE TANK:
For End Dump Trailer Application Only

DUTY CYCLE: Not to exceed five minutes of continuous operation.
OPERATING TEMPERATURE: Not to exceed 180°F.
HOSE LINES: Must be supported to relieve any stress on tank ports.

Failure to maintain the above parameters may result in damage to tank and/or voiding of warranty.

With proper installation and operation, the A2000 will provide years of service.
 If, at any time over the life of the tank, seepage occurs at the port(s), the tank has been compromised. **DO NOT** attempt repair. Contact your distributor.

2.85

AMERICAN MOBILE POWER <small>PH: (800) 634-8265 FAX: (765) 948-3403</small>	DRAWING BY: BPKNIGHT	DESIGN FOR: AMP	FILE NAME: A2000	
	COMPLETED: 9/7/2007		SHEET: 1 of 4	SHEET SIZE: B

4

3

2

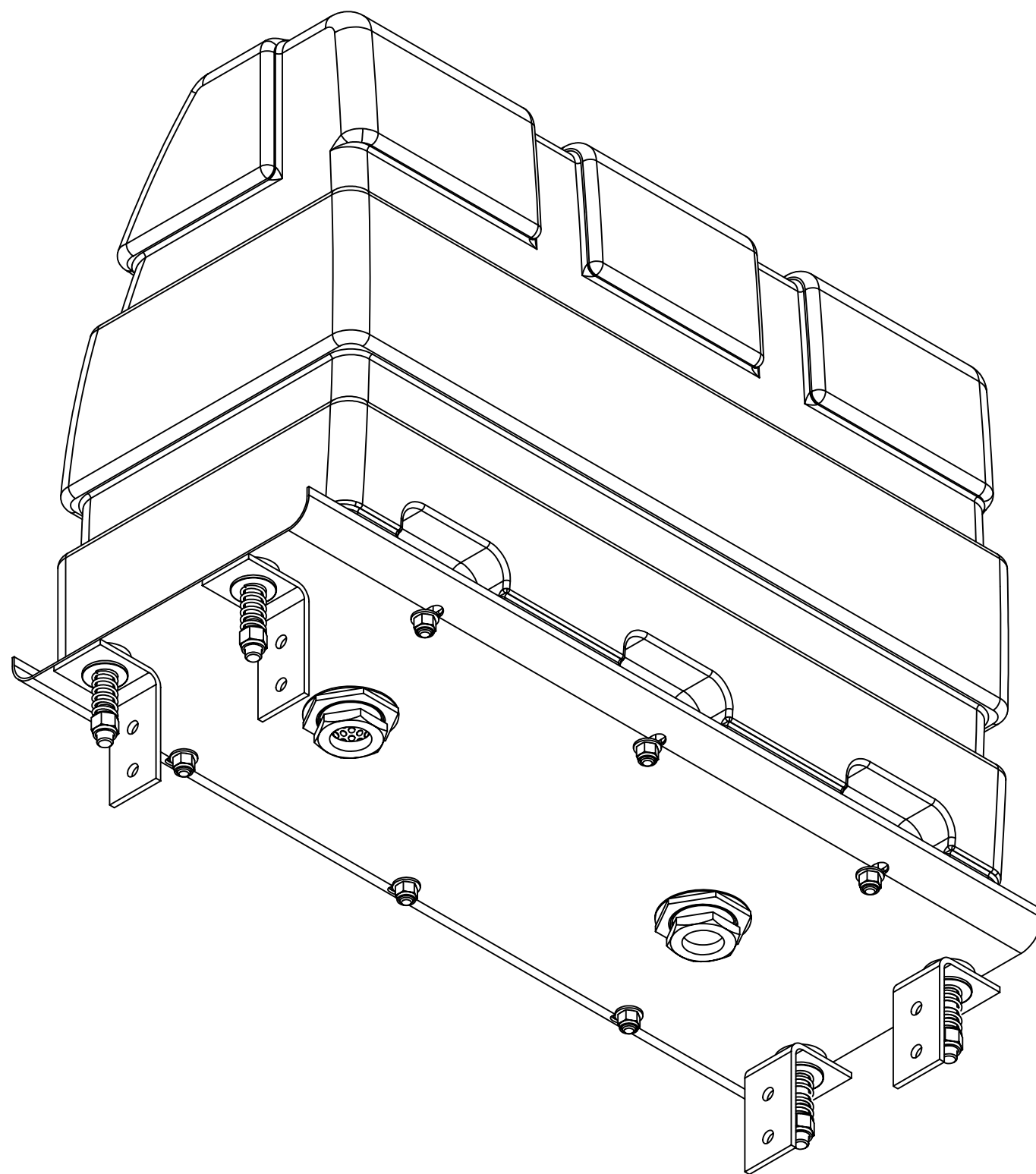
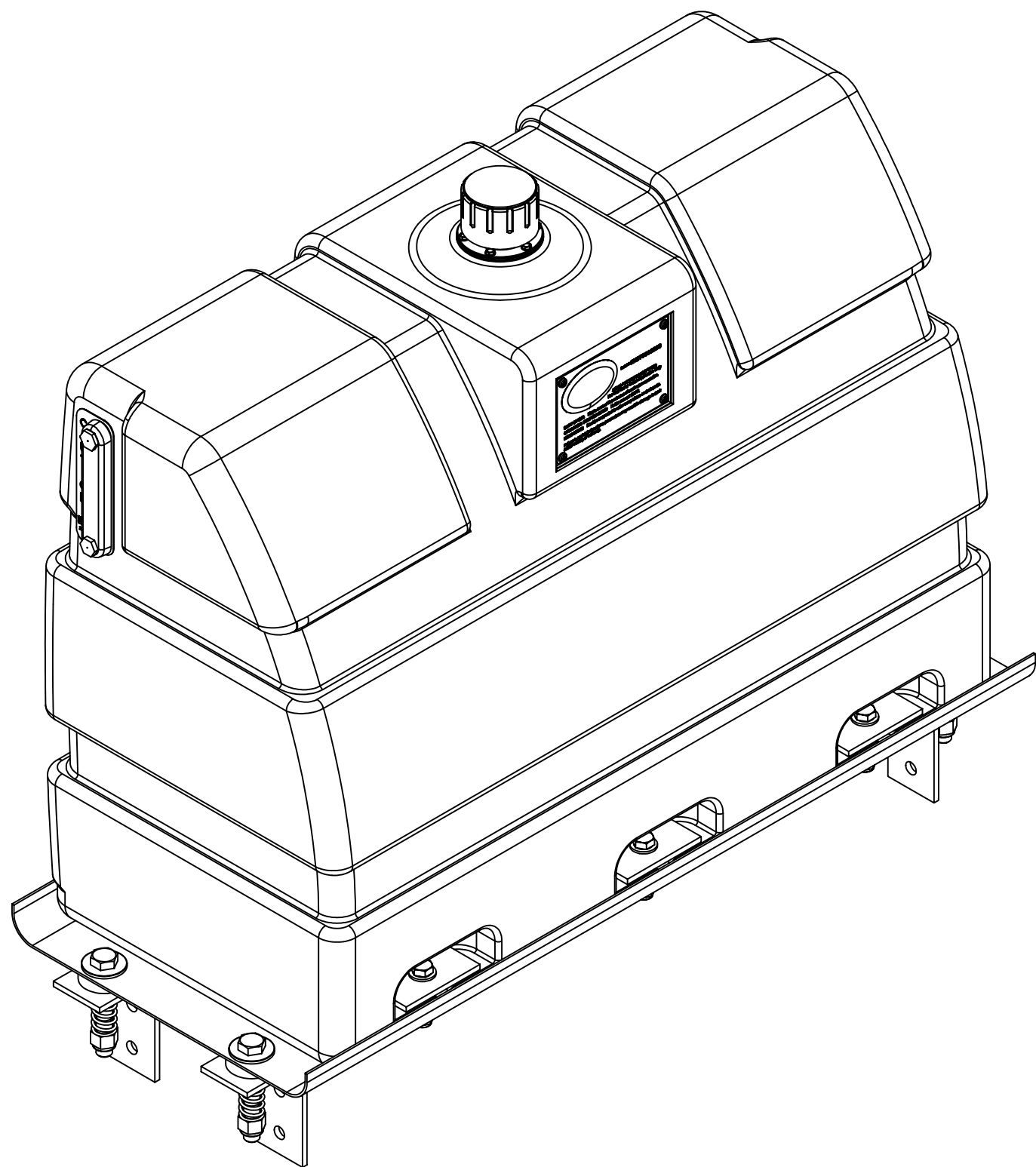
1

B

B

A

A



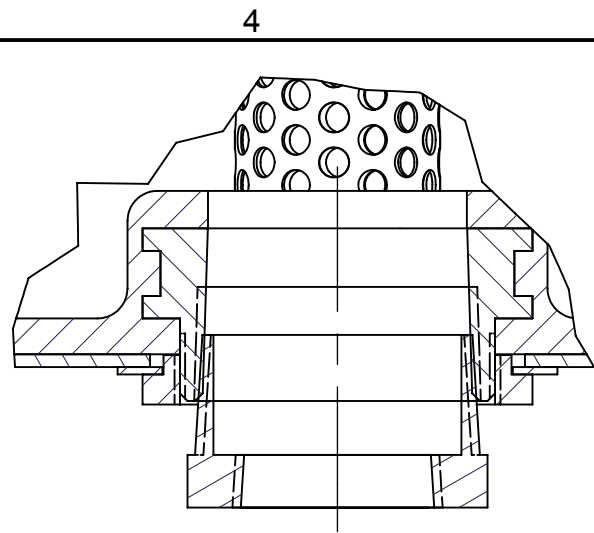
AMERICAN MOBILE POWER PH: (800) 634-8265 FAX: (765) 948-3403	DRAWING BY: BPKNIGHT	DESIGN FOR: AMP	FILE NAME: A2000	
	COMPLETED: 9/7/2007		SHEET: 2 of 4	SHEET SIZE: B

4

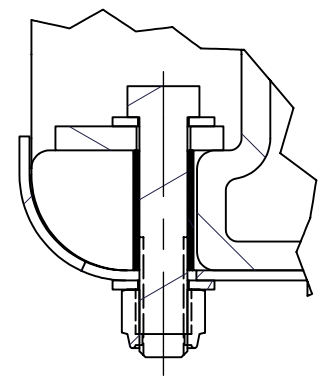
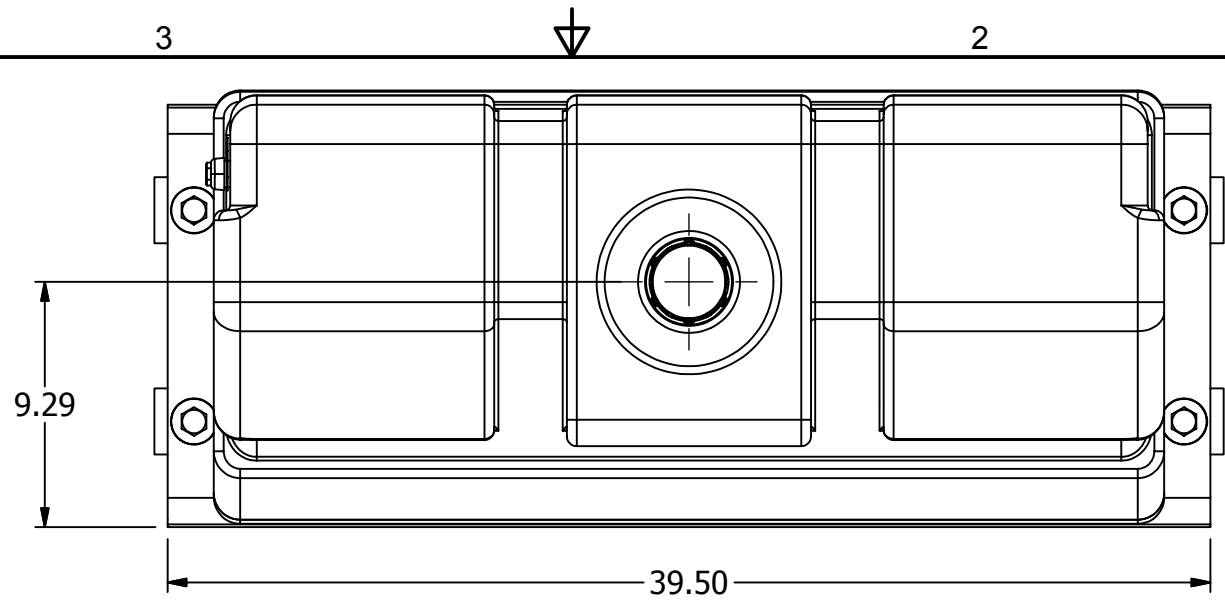
3

2

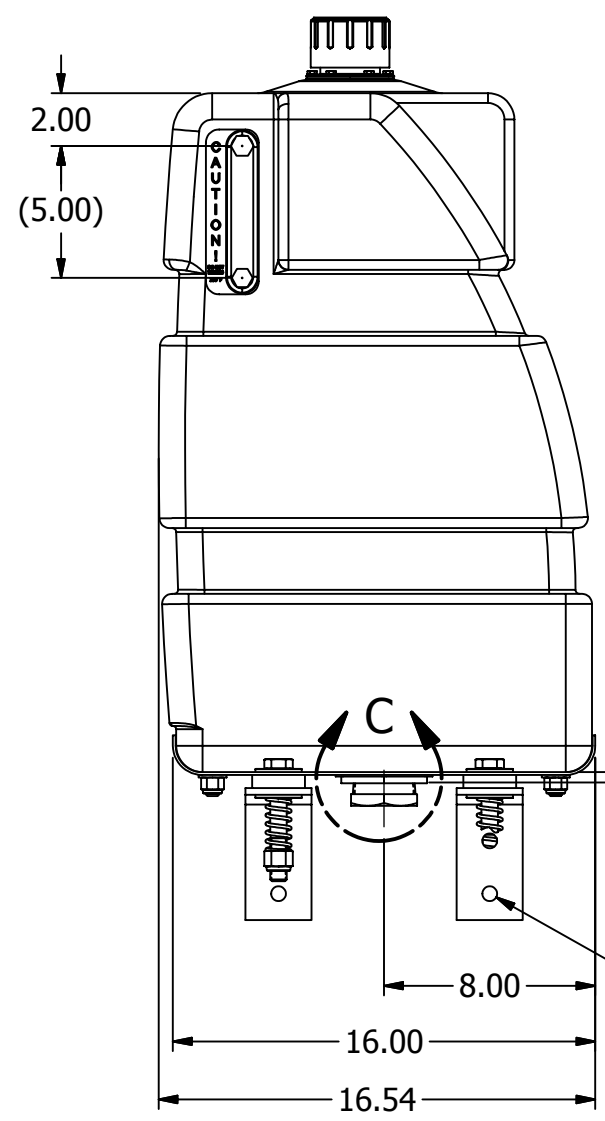
1



DETAIL C

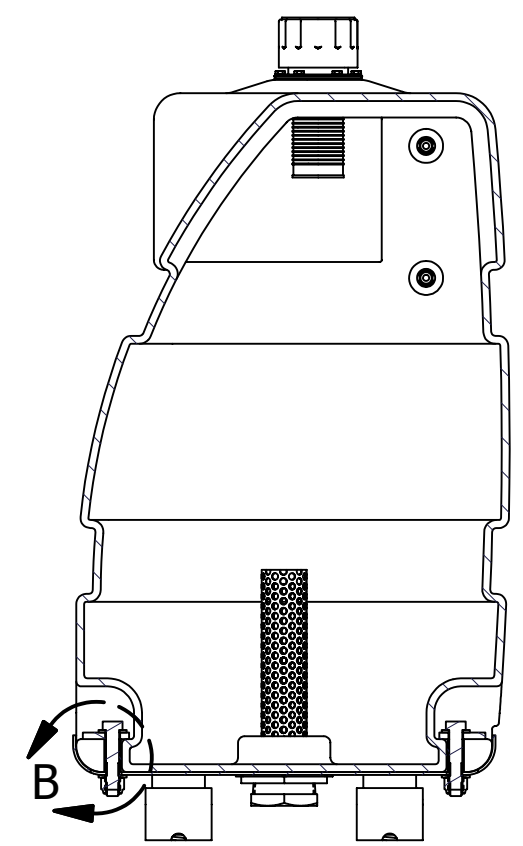
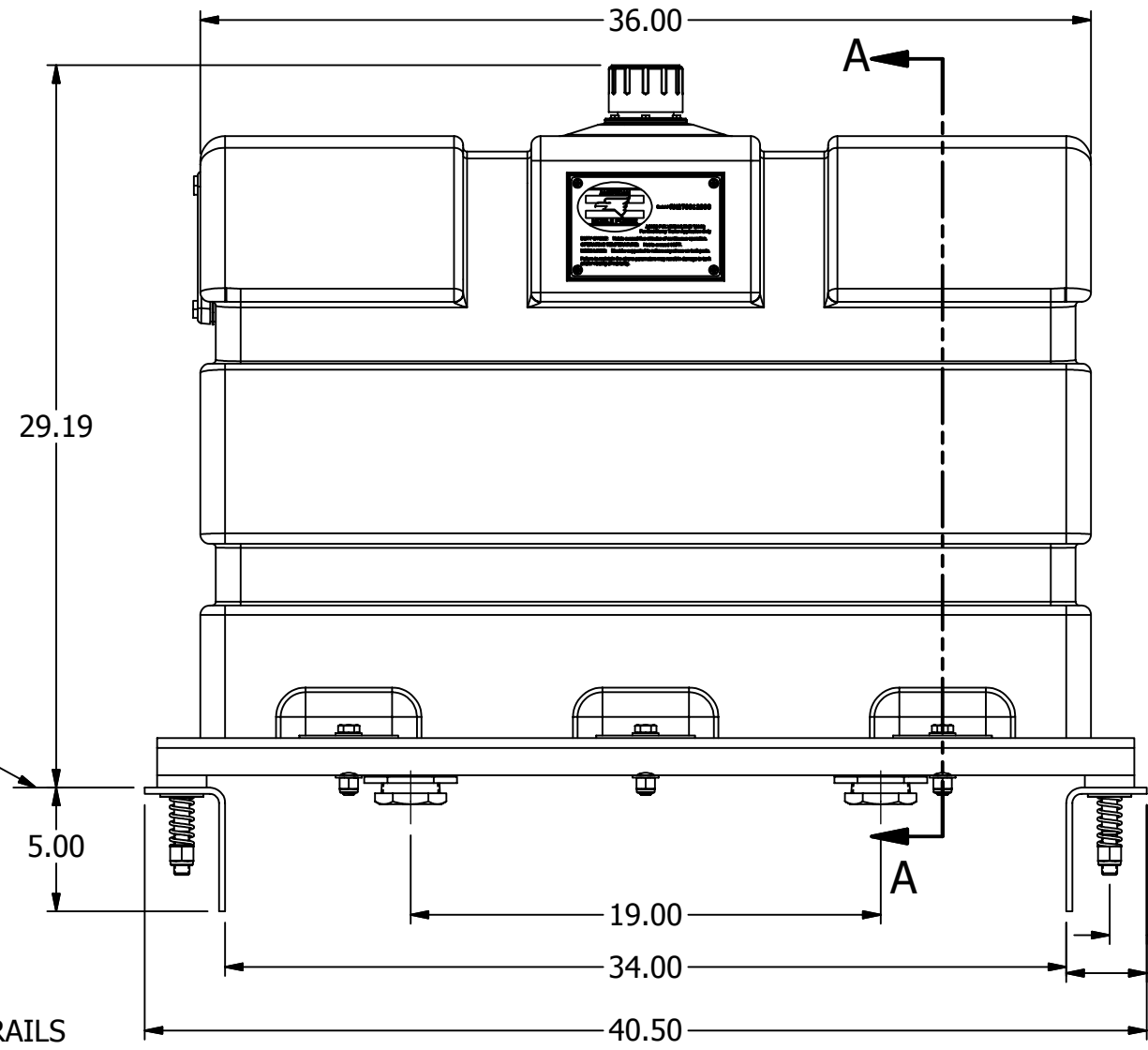


DETAIL B



FLUSH WITH TRUCK RAIL

Ø0.56
8 PLCS
MATCH DRILL TRUCK RAILS
AT INSTALLATION



SECTION A-A

AMERICAN MOBILE POWER <small>PH: (800) 634-8265 FAX: (765) 948-3403</small>	DRAWING BY: BPKNIGHT	DESIGN FOR: AMP	FILE NAME: A2000	
	COMPLETED: 9/7/2007		SHEET: 3 of 4	SHEET SIZE: B