

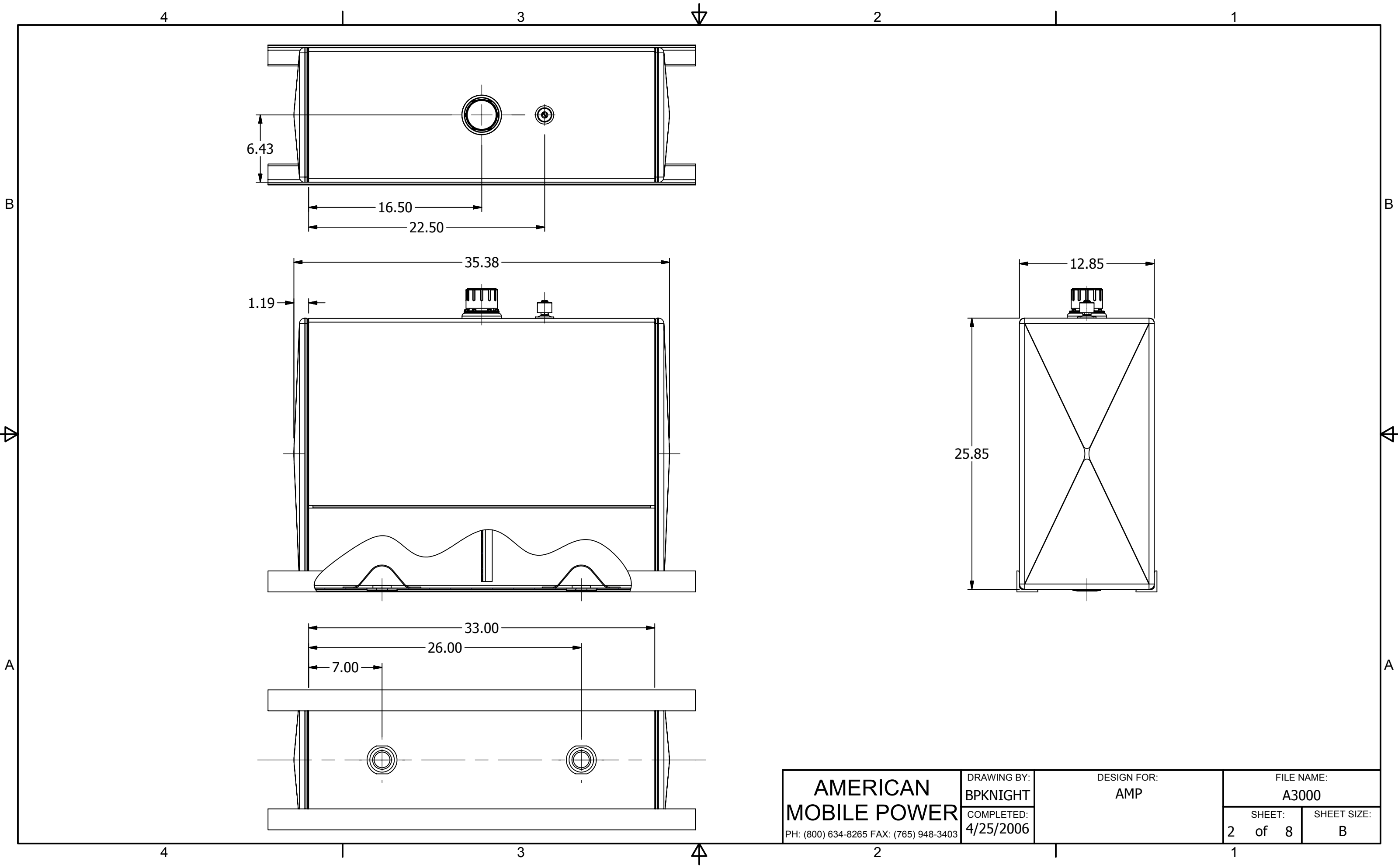
| Parts List | | | |
|------------|-----|-------------|-----------------------------------|
| ITEM | QTY | PART NUMBER | DESCRIPTION |
| 1 | 1 | 57XL-40N | 40 MICRON FILL W/NYLON STRAINER |
| 2 | 1 | N_A3000 | STANDARD NAM ASSEMBLY 114 3/8 lbs |
| 3 | 1 | VENT0375 | 3/8" NPT VENT |

AMP PARTS TO INCLUDE:
 - ASK-200 MOUNTING KIT

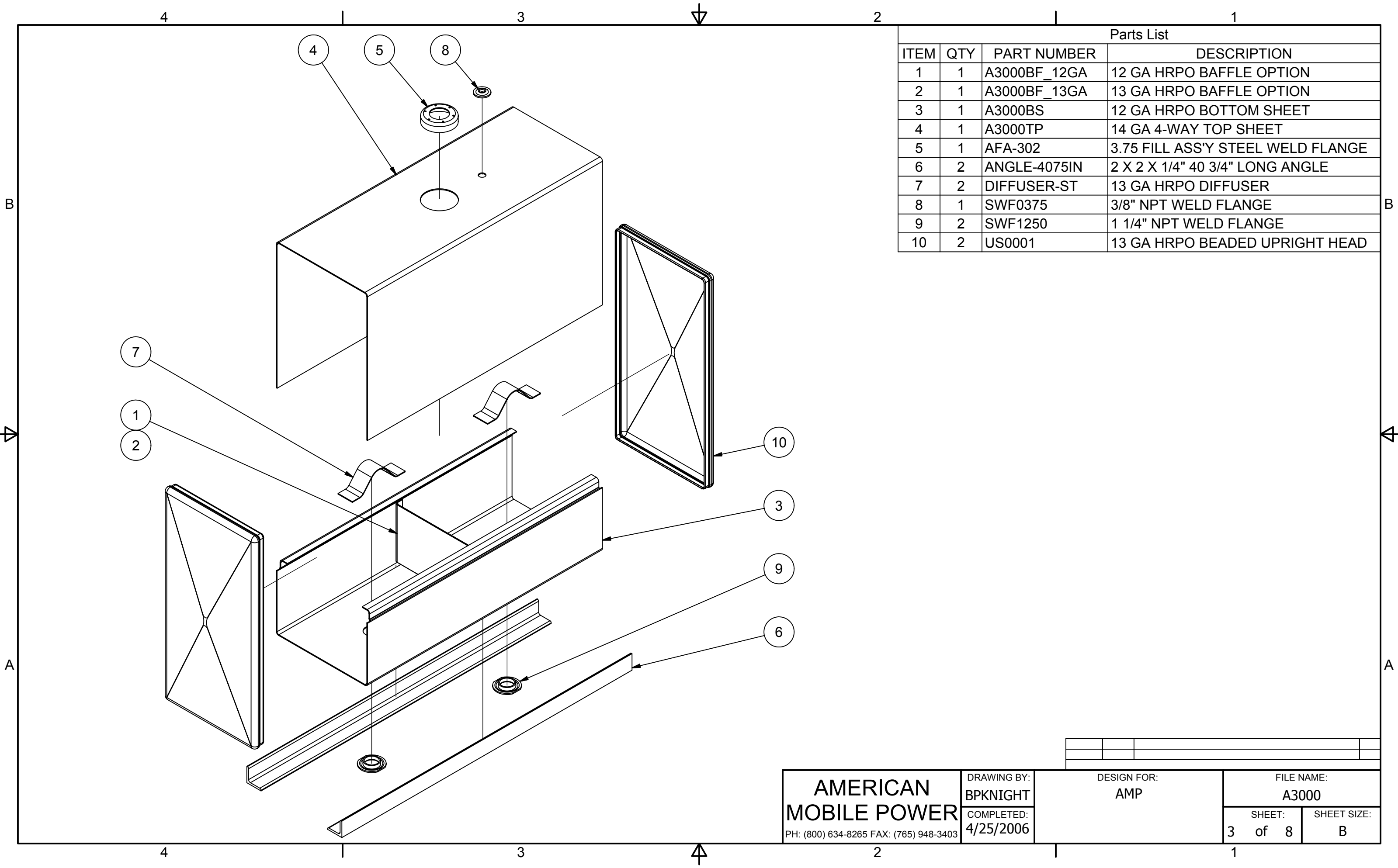
NOTES:
 -POWDER COAT BLACK
 -APPLY RUST INHIBITOR INSIDE
 -PLUG ALL PORTS FOR SHIPMENT

| | | | |
|--|--|--|--|
| | | | |
| | | | |
| | | | |

| | | | | |
|--|--------------------------------|---------------------------|----------------------------|-------------------------|
| AMERICAN MOBILE POWER PH: (800) 634-8265 FAX: (765) 948-3403 | DRAWING BY: BPKNIGHT | DESIGN FOR: AMP | FILE NAME: A3000 | |
| | COMPLETED: 4/25/2006 | | SHEET: 1 of 8 | SHEET SIZE: B |



| | | | | |
|--|--------------------------------|---------------------------|----------------------------|-------------------------|
| AMERICAN MOBILE POWER PH: (800) 634-8265 FAX: (765) 948-3403 | DRAWING BY: BPKNIGHT | DESIGN FOR: AMP | FILE NAME: A3000 | |
| | COMPLETED: 4/25/2006 | | SHEET: 2 of 8 | SHEET SIZE: B |



| Parts List | | | |
|------------|-----|--------------|-----------------------------------|
| ITEM | QTY | PART NUMBER | DESCRIPTION |
| 1 | 1 | A3000BF_12GA | 12 GA HRPO BAFFLE OPTION |
| 2 | 1 | A3000BF_13GA | 13 GA HRPO BAFFLE OPTION |
| 3 | 1 | A3000BS | 12 GA HRPO BOTTOM SHEET |
| 4 | 1 | A3000TP | 14 GA 4-WAY TOP SHEET |
| 5 | 1 | AFA-302 | 3.75 FILL ASS'Y STEEL WELD FLANGE |
| 6 | 2 | ANGLE-4075IN | 2 X 2 X 1/4" 40 3/4" LONG ANGLE |
| 7 | 2 | DIFFUSER-ST | 13 GA HRPO DIFFUSER |
| 8 | 1 | SWF0375 | 3/8" NPT WELD FLANGE |
| 9 | 2 | SWF1250 | 1 1/4" NPT WELD FLANGE |
| 10 | 2 | US0001 | 13 GA HRPO BEADED UPRIGHT HEAD |

| | | | | |
|--|--------------------------------|---------------------------|----------------------------|-------------------------|
| AMERICAN MOBILE POWER PH: (800) 634-8265 FAX: (765) 948-3403 | DRAWING BY: BPKNIGHT | DESIGN FOR: AMP | FILE NAME: A3000 | |
| | COMPLETED: 4/25/2006 | | SHEET: 3 of 8 | SHEET SIZE: B |