

4

3

2

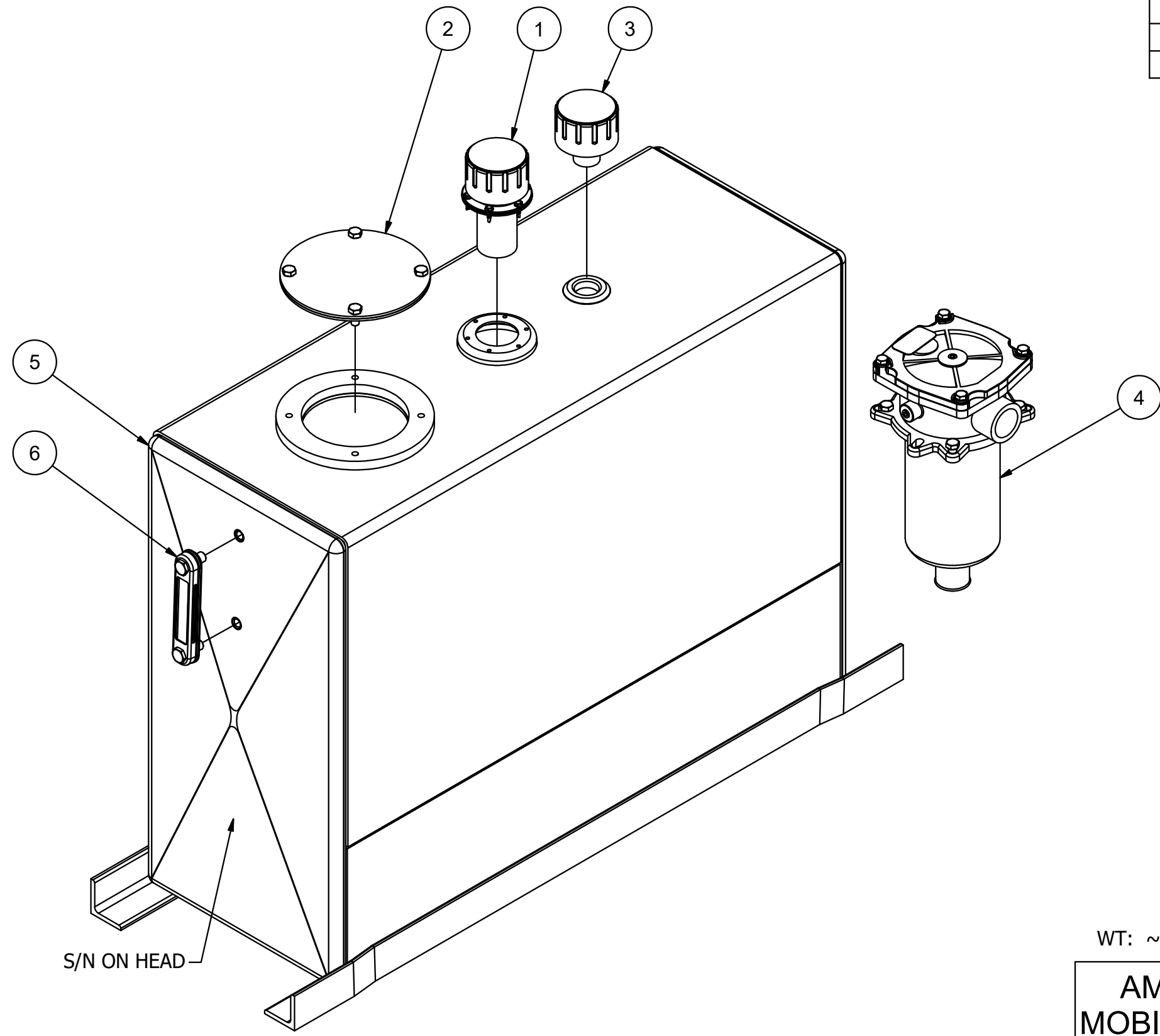
1

Parts List

ITEM	QTY	PART NUMBER	DESCRIPTION
1	1	57XL-40	40 Micron FILL w/30 Mesh Stainless Strainer
2	1	AFC-507	FILTER PORT COVER 6.25 DIA. B.C.
3	1	BF-16	1" NPT VENT
4	1	LIT-1250-10P*	Return Filter 1 1/4" NPT 10 Micron/25 psi Bypass
5	1	N_A4000-2STRF	NAM WELDMENT ~58.1 lbs
6	1	T-LLG-5	SIGHT/TEMP. GAUGE, 5"

B

B



AMP PARTS TO INCLUDE:  
 -ASK-200 MOUNTING KIT

FILTER SHOWN FOR REFERENCE;  
 ORDER SEPARATELY

NOTE:  
 -PLUG ALL PORTS FOR SHIPMENT

A

A

S/N ON HEAD

WT: ~61 - 66.5 lbs

<b>AMERICAN MOBILE POWER</b> <small>PH: (800) 634-8265 FAX: (765) 948-3403</small>	<small>DRAWING BY:</small> BPKNIGHT	<small>DESIGN FOR:</small> AMERICAN MOBILE POWER	<small>FILE NAME:</small> A4000-2STRF	
	<small>COMPLETED:</small> 8/23/2018		<small>SHEET:</small> 1 of 9	<small>SHEET SIZE:</small> B

4

3

2

1

4

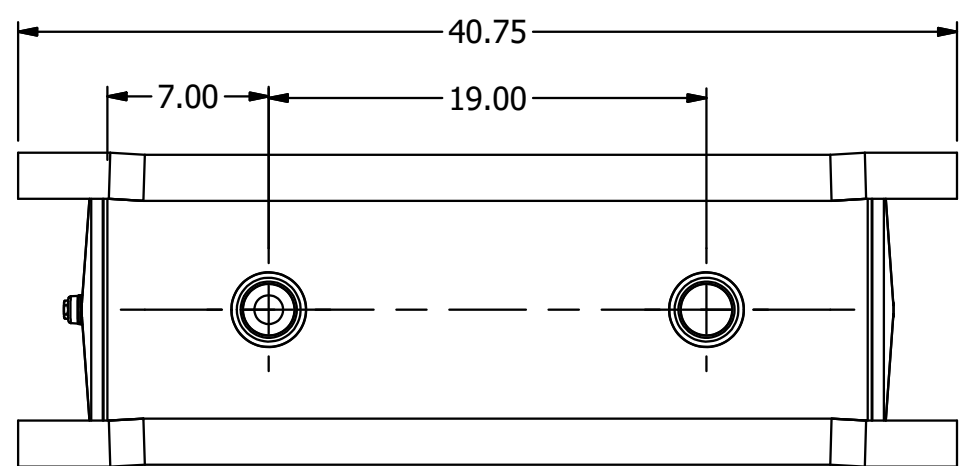
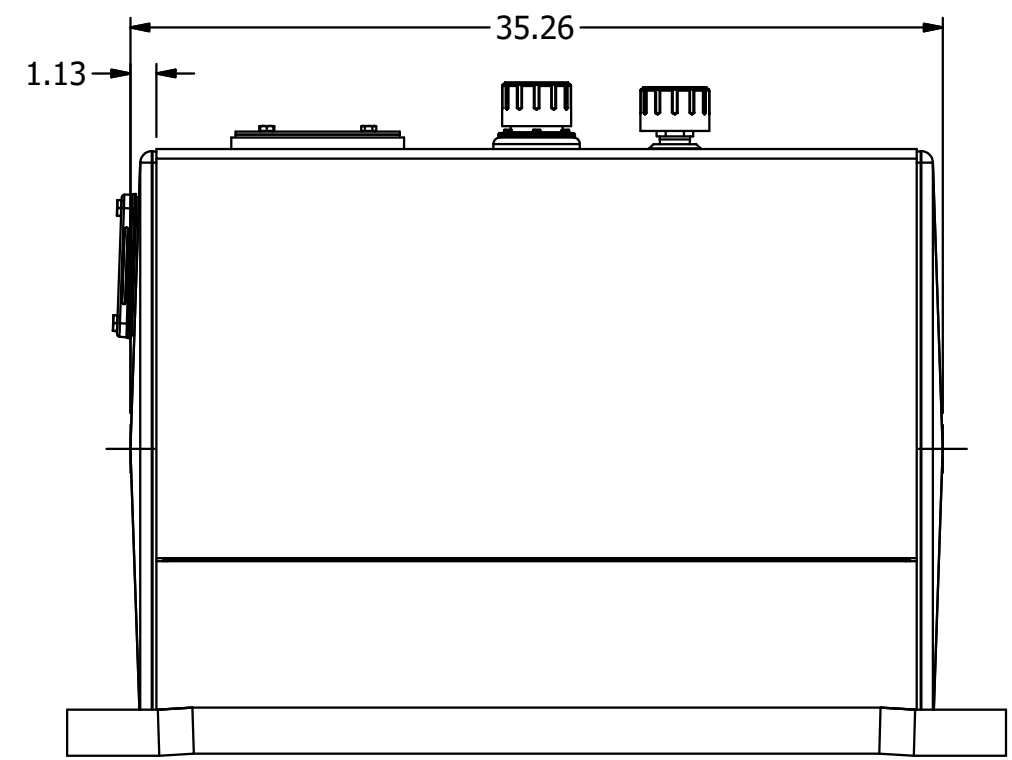
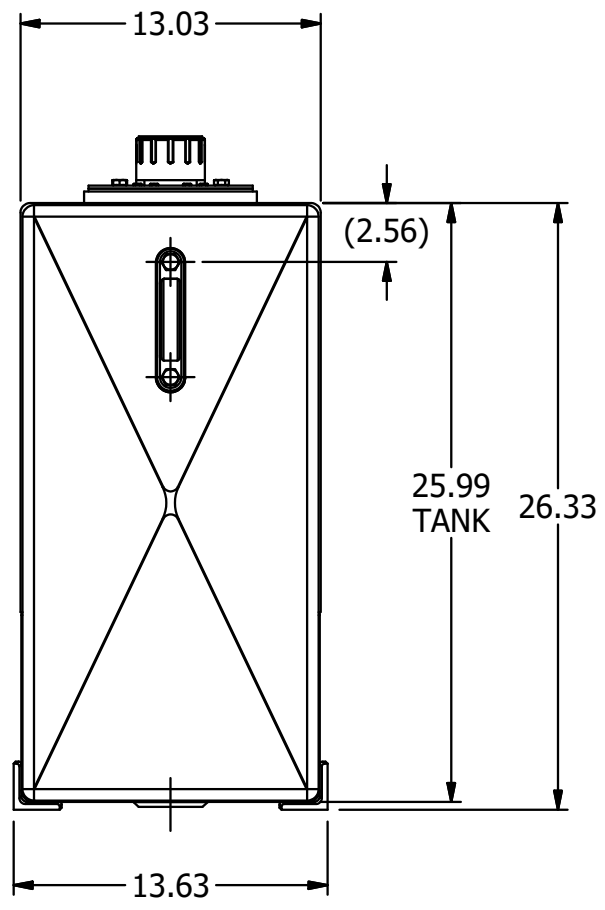
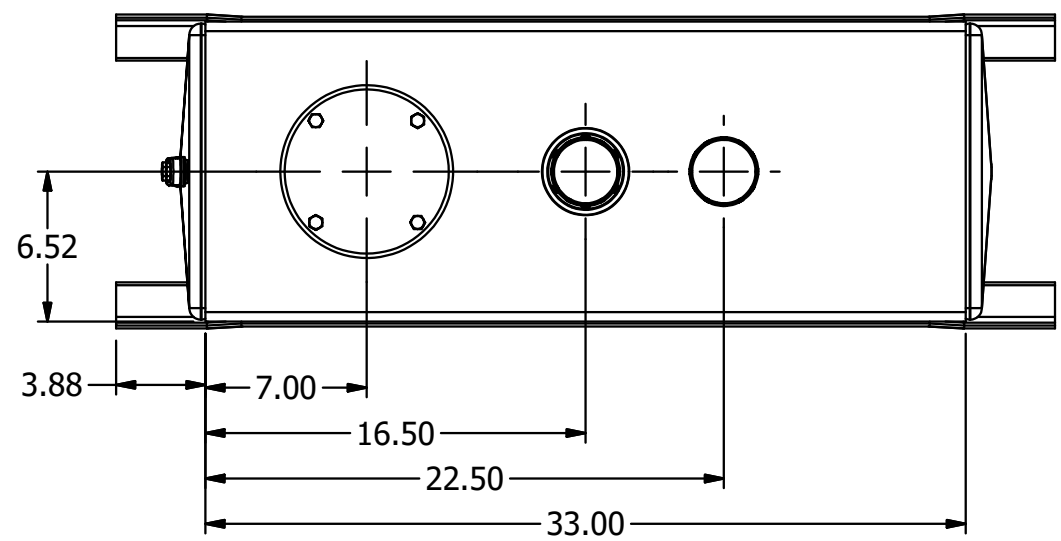
3

2

1

B

B



A

A

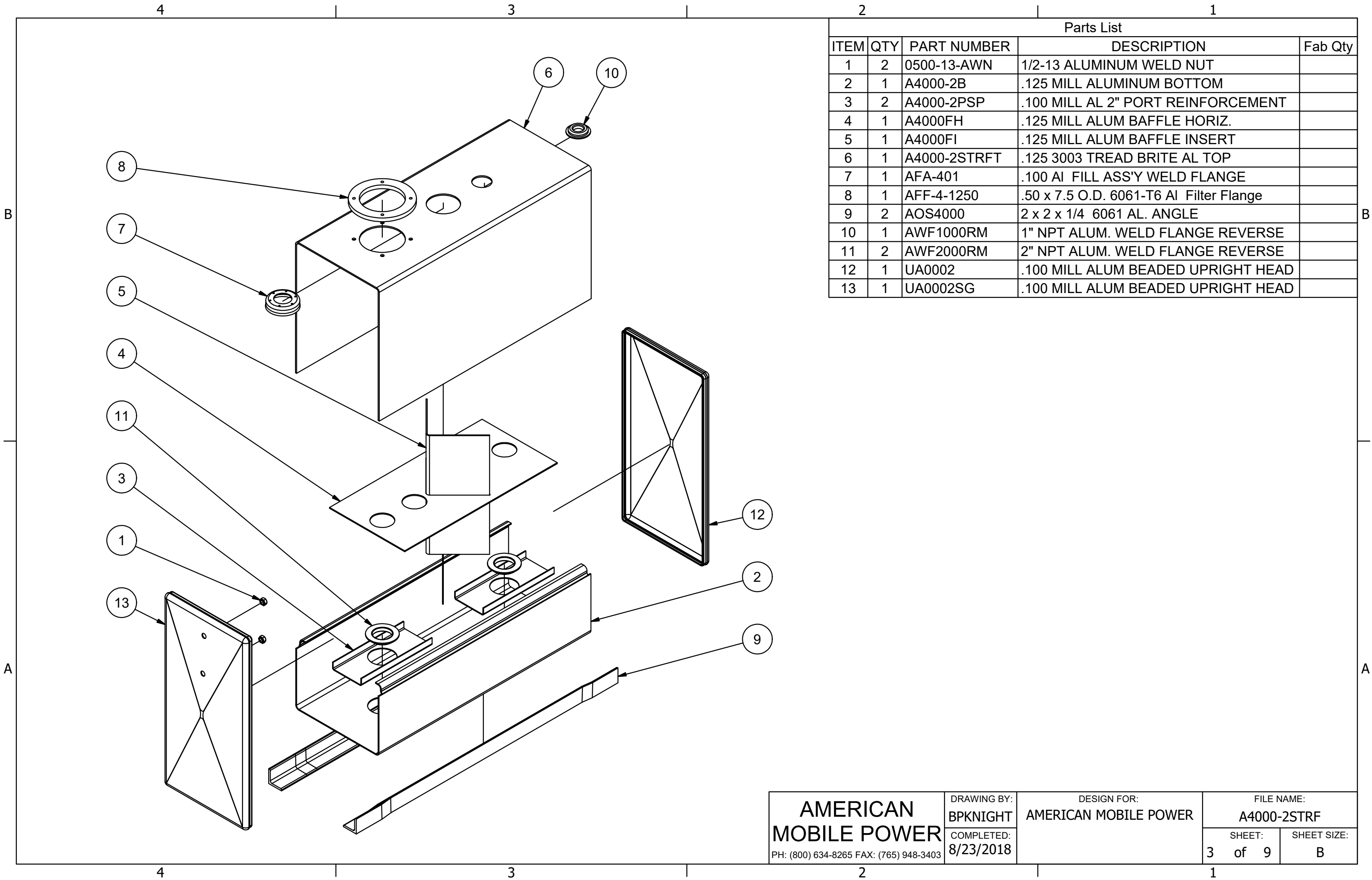
4

3

2

1

<b>AMERICAN MOBILE POWER</b> <small>PH: (800) 634-8265 FAX: (765) 948-3403</small>	DRAWING BY: <b>BPKNIGHT</b>	<small>DESIGN FOR:</small> <b>AMERICAN MOBILE POWER</b>	FILE NAME: <b>A4000-2STRF</b>	
	COMPLETED: <b>8/23/2018</b>		SHEET: <b>2 of 9</b>	SHEET SIZE: <b>B</b>



Parts List				
ITEM	QTY	PART NUMBER	DESCRIPTION	Fab Qty
1	2	0500-13-AWN	1/2-13 ALUMINUM WELD NUT	
2	1	A4000-2B	.125 MILL ALUMINUM BOTTOM	
3	2	A4000-2PSP	.100 MILL AL 2" PORT REINFORCEMENT	
4	1	A4000FH	.125 MILL ALUM BAFFLE HORIZ.	
5	1	A4000FI	.125 MILL ALUM BAFFLE INSERT	
6	1	A4000-2STRFT	.125 3003 TREAD BRITE AL TOP	
7	1	AFA-401	.100 AI FILL ASS'Y WELD FLANGE	
8	1	AFF-4-1250	.50 x 7.5 O.D. 6061-T6 AI Filter Flange	
9	2	AOS4000	2 x 2 x 1/4 6061 AL. ANGLE	
10	1	AWF1000RM	1" NPT ALUM. WELD FLANGE REVERSE	
11	2	AWF2000RM	2" NPT ALUM. WELD FLANGE REVERSE	
12	1	UA0002	.100 MILL ALUM BEADED UPRIGHT HEAD	
13	1	UA0002SG	.100 MILL ALUM BEADED UPRIGHT HEAD	

**AMERICAN  
MOBILE POWER**  
PH: (800) 634-8265 FAX: (765) 948-3403

DRAWING BY:  
BPKNIGHT  
COMPLETED:  
8/23/2018

DESIGN FOR:  
AMERICAN MOBILE POWER

FILE NAME:  
A4000-2STRF  
SHEET: 3 of 9  
SHEET SIZE: B