

4

3

2

1

Parts List

ITEM	QTY	PART NUMBER	DESCRIPTION
1	2	0500BBS	Black Buffer Seal 1.0 OD x .5 ID x .10 Neoprene
2	2	24107	Button Head, Hex, 1/2-13 UNC x 0.75
3	1	57XL-40	40 Micron FILL w/30 Mesh Stainless Strainer
4	1	ABA-138	3/8" NPT VENT
5	1	APP0750-M	3/4" NPT MAG PLUG
6	1	N_A3575-2S90-ST	NAM WELDMENT ~102.75 lbs
7	1	T-LLG-5	SIGHT/TEMP. GAUGE, 5"

AMP PARTS INCLUDE:

-AMK-624-C/3 MOUNTING KIT (STD) OR -S/3 (UPGRADE)

NOTES:

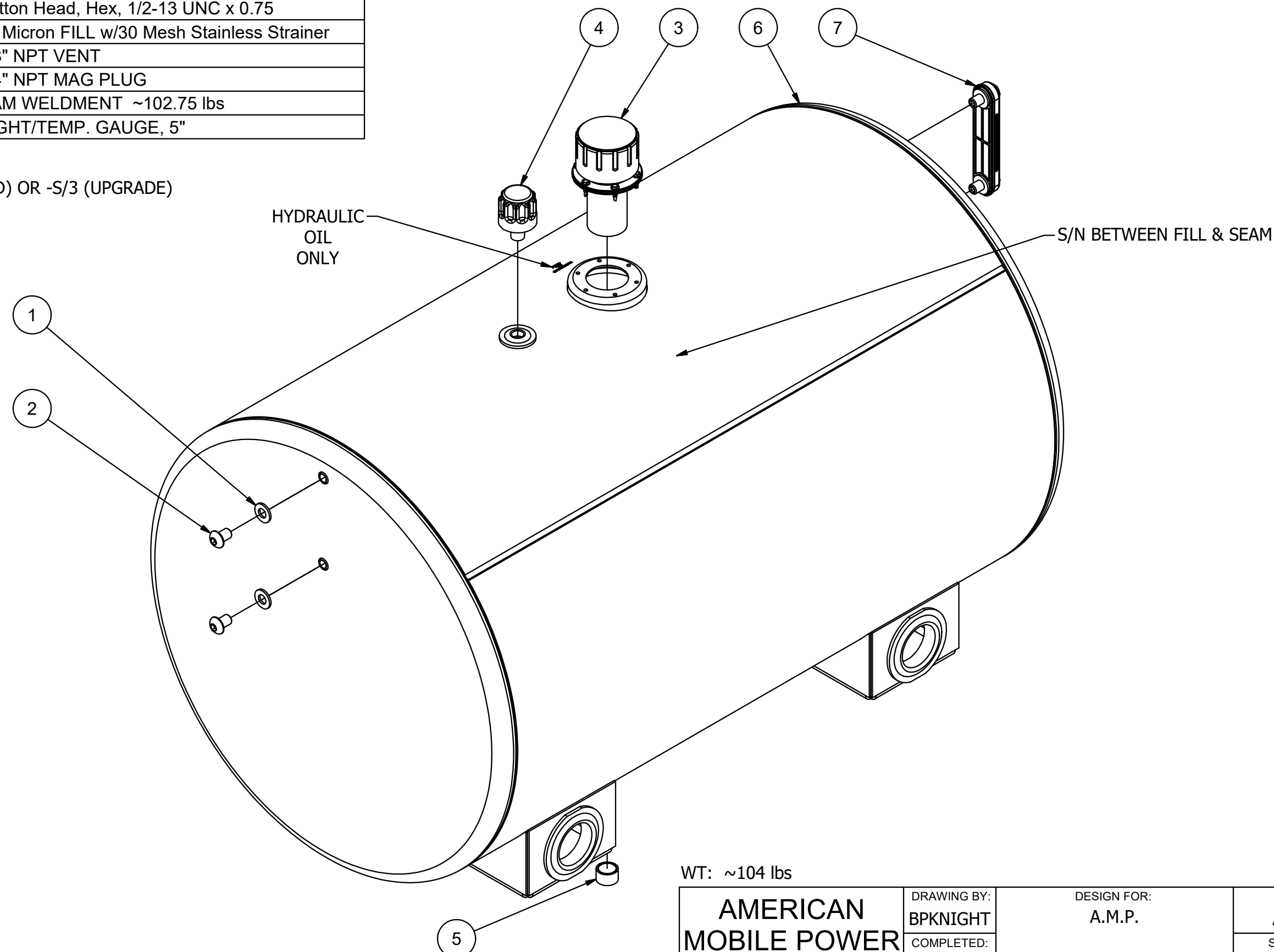
- POWDER COAT BLACK
- APPLY RUST INHIBITOR INSIDE
- PLUG ALL PORTS FOR SHIPMENT

B

B

A

A



WT: ~104 lbs

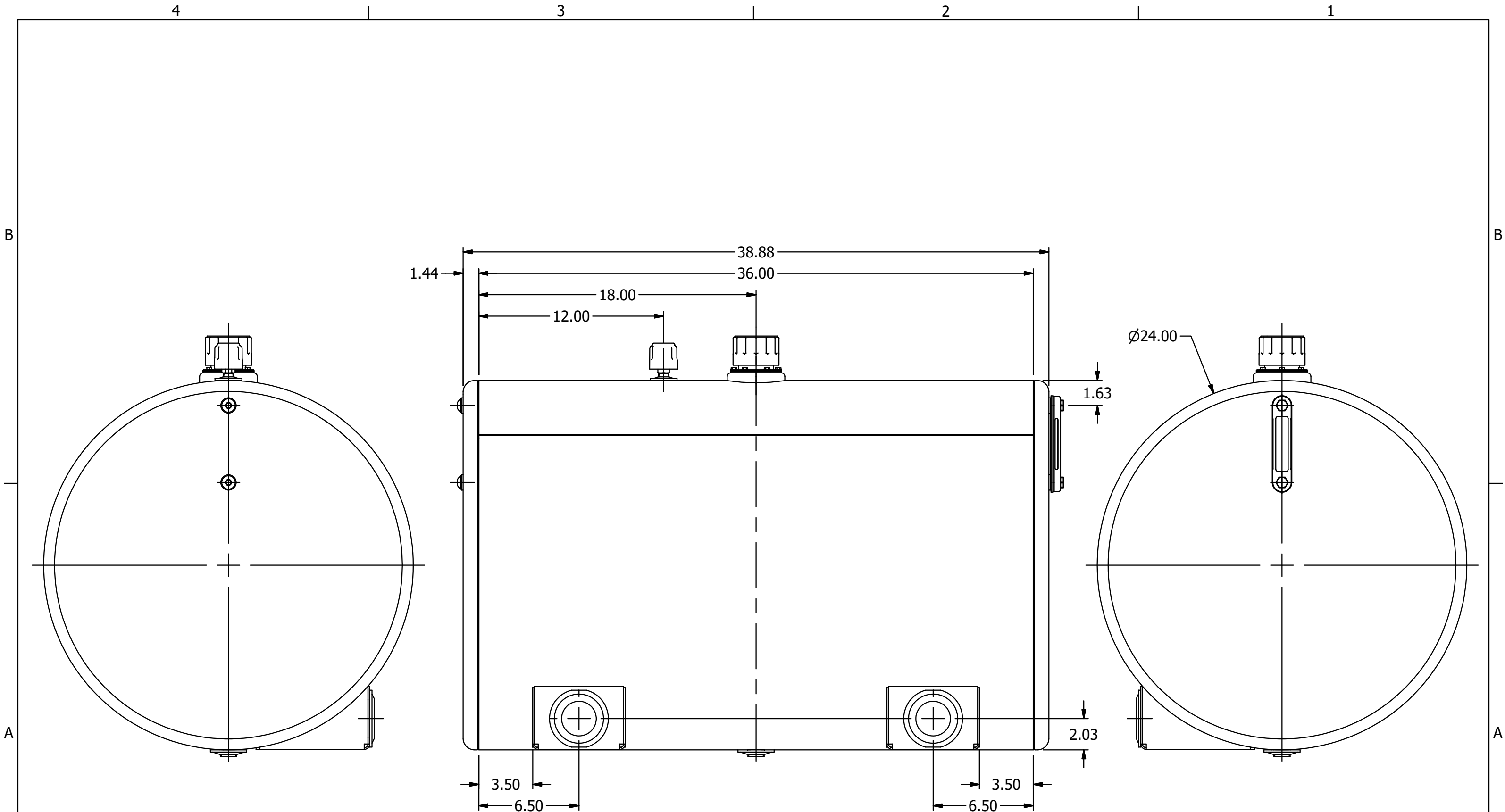
AMERICAN MOBILE POWER	DRAWING BY: BPKNIGHT	DESIGN FOR: A.M.P.	FILE NAME: A3575-2S90-ST	
	COMPLETED: 11/9/2012		PH: (800) 634-8265 FAX: (765) 948-3403	SHEET: 1 of 6

4

3

2

1



AMERICAN MOBILE POWER PH: (800) 634-8265 FAX: (765) 948-3403	DRAWING BY: BPKNIGHT	DESIGN FOR: A.M.P.	FILE NAME: A3575-2S90-ST	
	COMPLETED: 11/9/2012		SHEET: 2 of 6	SHEET SIZE: B

4

3

2

1

Parts List

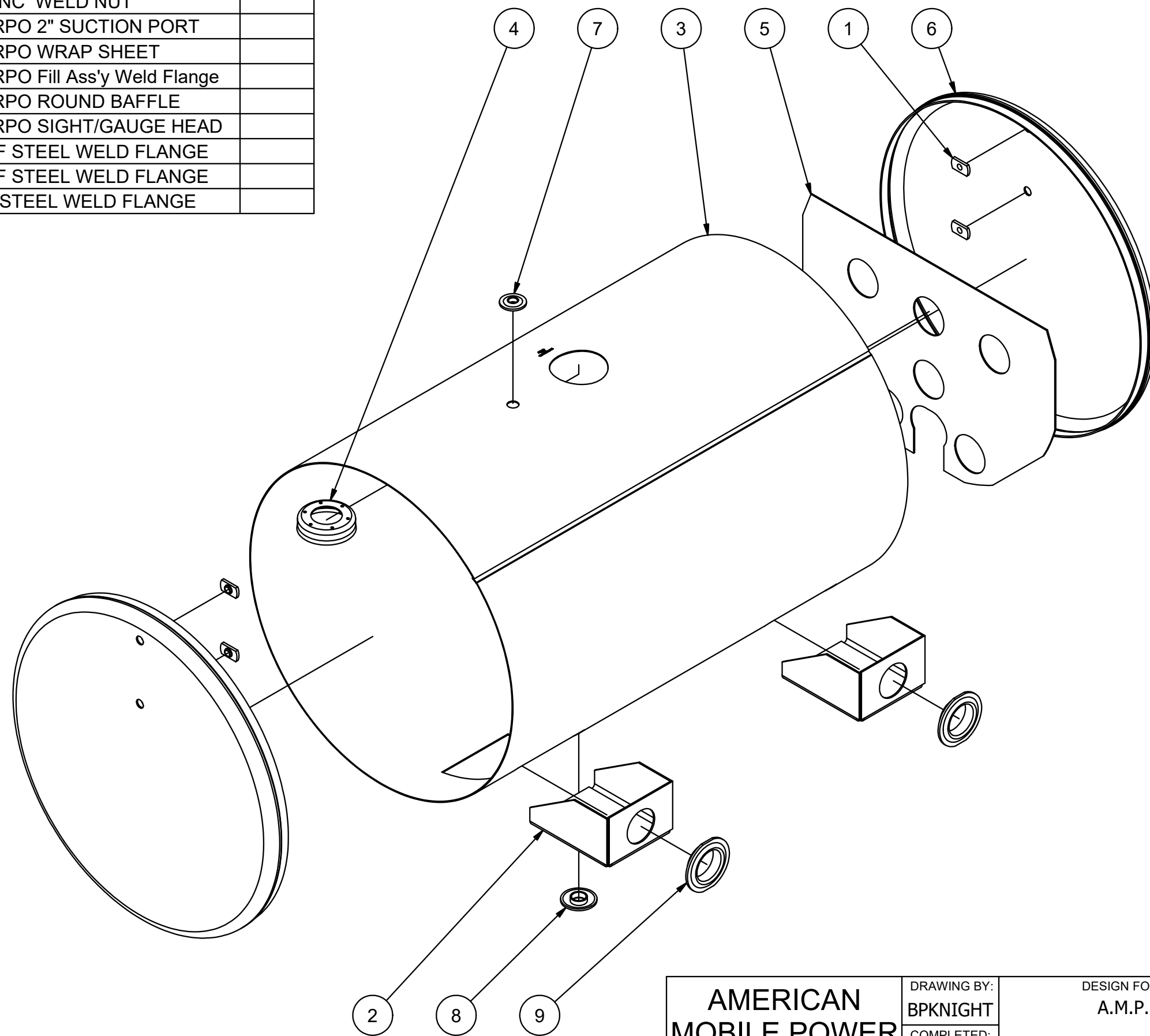
ITEM	QTY	PART NUMBER	DESCRIPTION	Fab Qty
1	4	0500-13-FWN	1/2"-13 UNC WELD NUT	
2	2	A3500-2S90SP	12 GA HRPO 2" SUCTION PORT	
3	1	A3575-2S90WS	14 GA HRPO WRAP SHEET	
4	1	AFS-301	13 GA HRPO Fill Ass'y Weld Flange	
5	1	SS0000BF	13 GA HRPO ROUND BAFFLE	
6	2	SS0000ST	13 GA HRPO SIGHT/GAUGE HEAD	
7	1	SWF0375	3/8" NPTF STEEL WELD FLANGE	
8	1	SWF0750	3/4" NPTF STEEL WELD FLANGE	
9	2	SWF2000	2" NPSC STEEL WELD FLANGE	

B

B

A

A



AMERICAN MOBILE POWER <small>PH: (800) 634-8265 FAX: (765) 948-3403</small>	DRAWING BY: BPKNIGHT	DESIGN FOR: A.M.P.	FILE NAME: A3575-2S90-ST	
	COMPLETED: 11/9/2012		SHEET: 3 of 6	SHEET SIZE: B

4

3

2

1