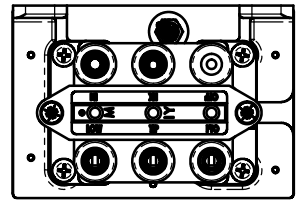
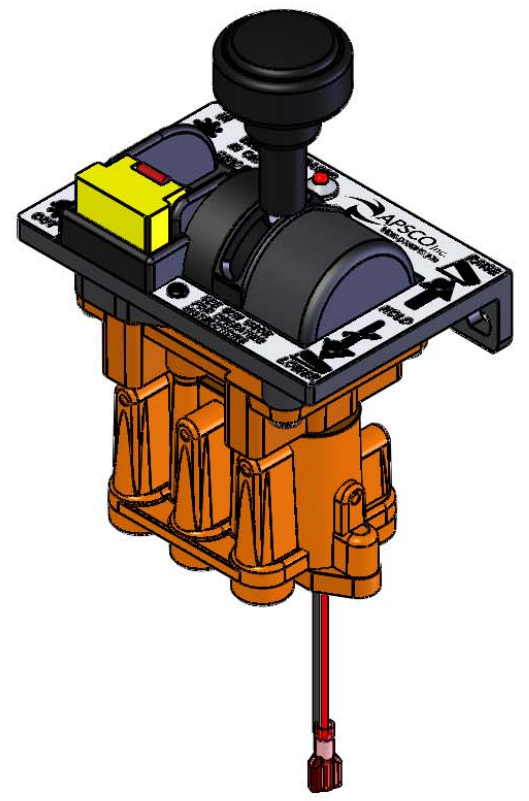
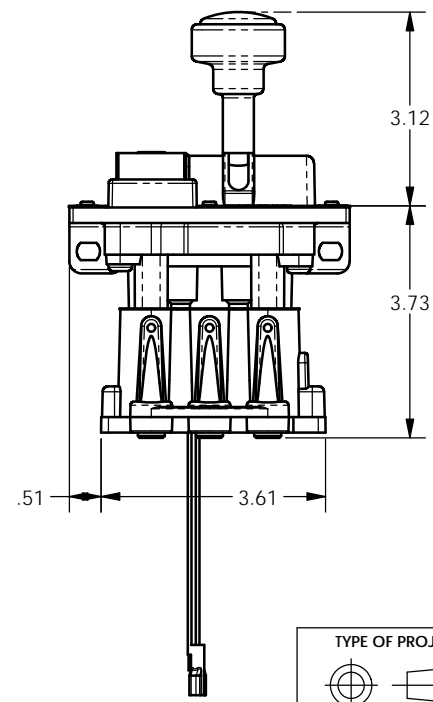
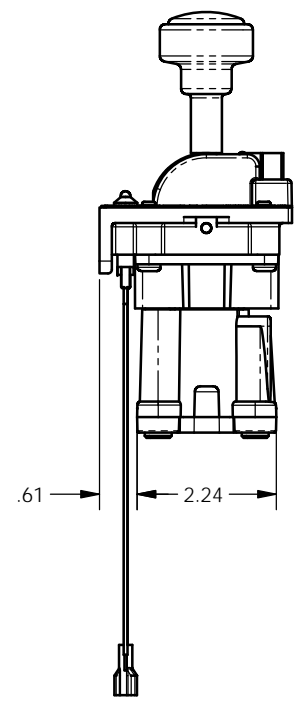
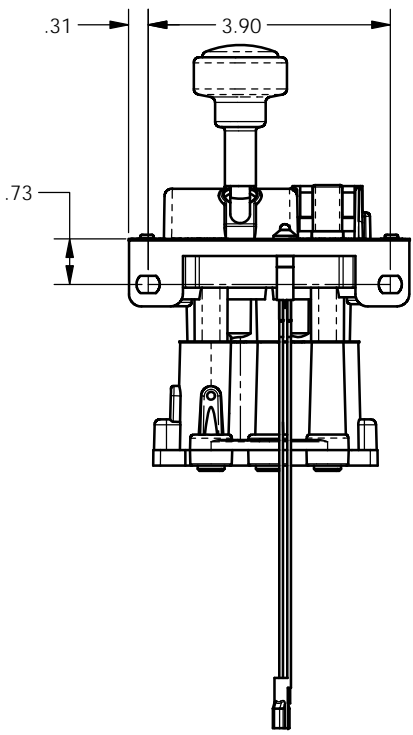
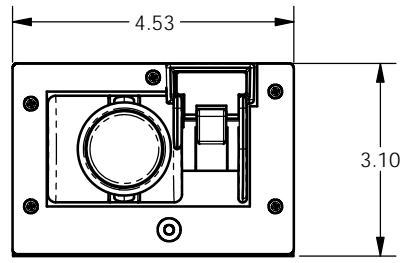


ECR	REV.	DESCRIPTION	DATE	APPROVED
E1532	-	RELEASE	05/11/2011	JUMPER



<p>TYPE OF PROJECTION</p> <p>THIRD ANGLE PROJECTION</p>	<p>DO NOT SCALE DRAWING UNLESS OTHERWISE SPECIFIED DIMENSIONS ARE IN INCHES TOLERANCES ARE: DECIMALS .X = ±.03 .XX = ±.010 .XXX = ±.005 FRACTION = ±.015 ANGLES = ±1/2°</p>	<p>8178 EAST 44TH STREET TULSA, OK 74145</p>	
		<p>TITLE: AV-295 MOUNTING SPEC.</p>	
<p>PROPRIETARY AND CONFIDENTIAL</p> <p>THE INFORMATION CONTAINED IN THIS DRAWING IS THE SOLE PROPERTY OF APSCO Inc.. ANY REPRODUCTION IN PART OR AS A WHOLE WITHOUT WRITTEN PERMISSION OF APSCO Inc. IS PROHIBITED.</p>	<p>SURFACE TEXTURE OR BETTER</p> <p>MATERIAL N/A</p>	<p>DWG. NO.</p> <p>AV-295 SPEC</p>	<p>REV</p> <p>-</p>
	<p>FINISH N/A</p>	<p>SIZE B</p> <p>DRAWN JUMPER</p> <p>DATE 05/11/2011</p> <p>CLASS SPEC</p>	<p>F/N: AV-295 SHEET 1 OF 1</p>